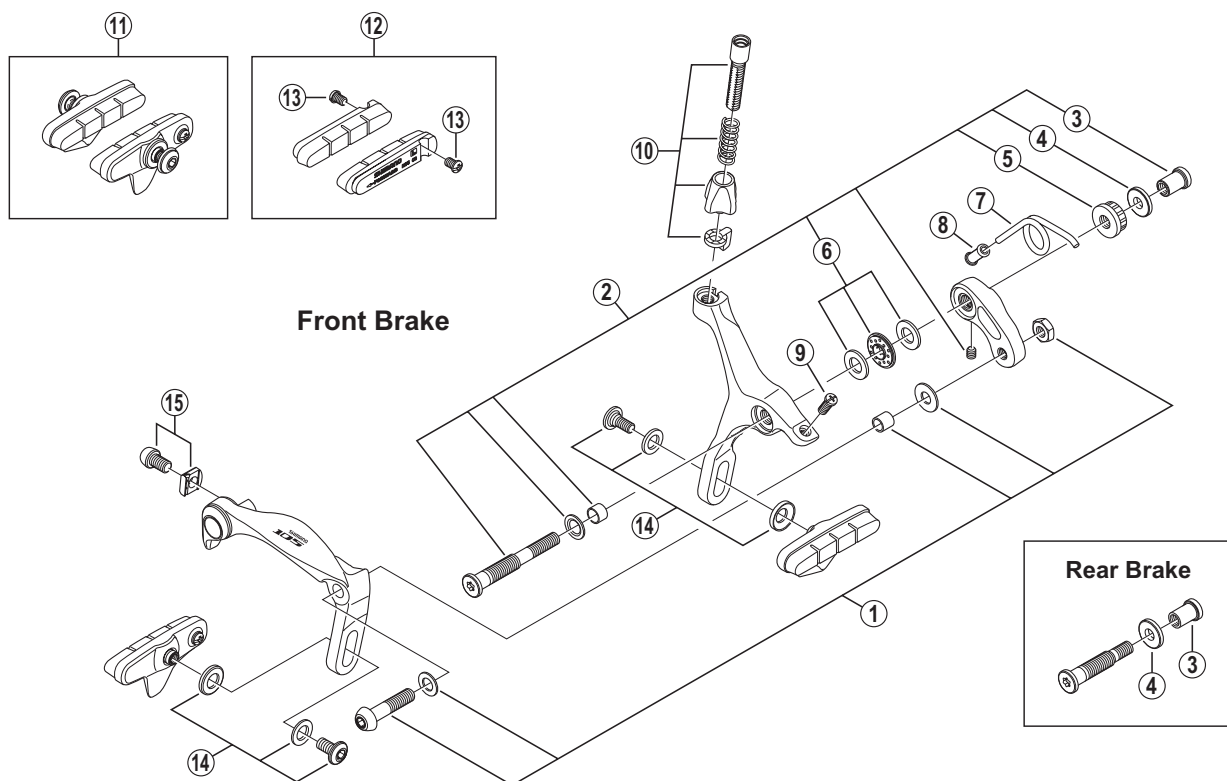


SHIMANO 105 Caliper Brake
BR-5700-S Silver Version
BR-5700-L Black Version



BR-6700
 BR-5800
 BR-4500

ITEM NO.	SHIMANO CODE NO.	DESCRIPTION	INTERCHANGEABILITY
1	Y8JC98010	Arm Bolt Unit (M6 x 26.5)	
2	Y8DU98020	Front Pivot Bolt Assembly {Pivot Bolt: 52.5 mm (2-1/16") / Pivot Nut: 10.5 mm}	A
	Y8DU98030	Front Pivot Bolt Assembly {Pivot Bolt: 52.5 mm (2-1/16") / Pivot Nut: 12.5 mm}	A
	Y8DU98040	Front Pivot Bolt Assembly {Pivot Bolt: 52.5 mm (2-1/16") / Pivot Nut: 18.0 mm}	A
	Y8DU98050	Front Pivot Bolt Assembly {Pivot Bolt: 52.5 mm (2-1/16") / Pivot Nut: 27.0 mm}	A
	Y8DU98060	Rear Pivot Bolt Assembly {Pivot Bolt: 37.8 mm (1-1/2") / Pivot Nut: 10.5 mm}	A
3	Y85575110	Pivot Nut (10.5 mm) for Front/Rear	B A A
	Y85575020	Pivot Nut (12.5 mm) for Front/Rear	B A A
	Y85574010	Pivot Nut (18.0 mm) for Front	B A A
	Y8A023000	Pivot Nut (27.0 mm) for Front	B A A
4	Y85850100	Spacer-R (2 mm)	B A
5	Y8DD04100	Lock Nut (M7)	A
6	Y84B98050	Ball Retainer Unit (ø7)	A A
7	Y8FN10000	Arm Spring	A
8	Y84B11000	Sleeve	A
9	Y81U10300	EC-Bolt (M4 x 10.2)	
10	Y8JC98020	Cable Adjusting Bolt Unit	
11	Y8JC98040	R55C3 Cartridge-Type Brake Shoe Set (Pair/Silver) for BR-5700-S	
	Y8JC98050	R55C3 Cartridge-Type Brake Shoe Set (Pair/Black) for BR-5700-L	
12	Y8FN98090	R55C3 Cartridge-Type Brake Shoes & Fixing Bolts (Pair)	B
13	Y8FA17000	Fixing Bolt (M4 x 5.5)	B A
14	Y8G698090	Shoe Fixing Bolt Unit (M5 x 11.2)	A B
15	Y8DU98090	Cable Fixing Bolt (M6 x 8.5) & Plate	A

A: Same parts.

B: Parts are usable, but differ in materials, appearance, finish, size, etc.

Absence of mark indicates non-interchangeability.

Feb.-2010-3015

© Shimano Inc. I

Specifications are subject to change without notice.

SHIMANO