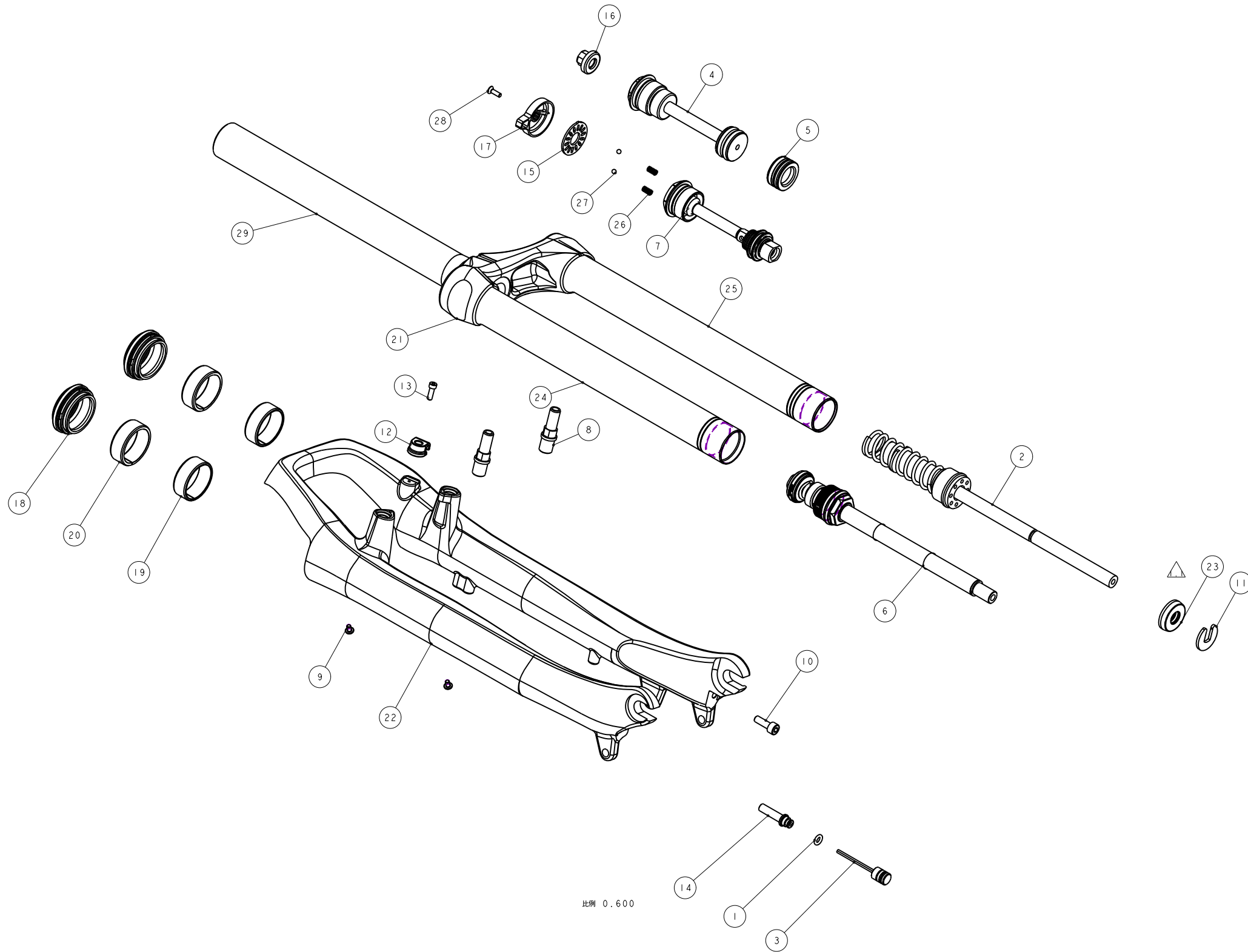


機械加工尺寸一般容許公差					REV.	DATE	DESCRIPTION	CHANGER	CHECK
尺寸	長度	寬度	孔徑	軸徑					
1 <= 10	±0.2	1 <= 10	+0.2 -0.2	+0.2 -0.2	△	3Sep'14	線衝變更 M5S32-2310-000 →M5GSPB-5006-2	伊禮豐	
10.001 <= 100	±0.3	10.001 <= 100	+0.3 -0.3	+0.3 -0.3					
100.001 <= 250	±0.5	100.001 <= 250	+0.5 -0.5	+0.5 -0.5					
250.001 <= 500	±0.8	250.001 <= 500	+1.0 -1.0	+1.0 -1.0					
500 <	±1.3	500 <	+1.5 -1.5	+1.5 -1.5					



NOTE:
此圖面共用於 15' VOGUE AIR (50/60/75)
除優力膠下座組與外管組須依以下列表更換外，其餘零件皆共用

成品品號	優力膠下座組	外管	適用型號
PGF020FB-	H5GAEBJA202	M5GFRW11-0100	VOGUE AIR 有軸 50行程
PGF020FC-	H5GAEBJA212		VOGUE AIR 有軸 60行程
PGF020FD-	H5GAEBJA227		VOGUE AIR 有軸 75行程
PGF021FB-	H5GAEBJA202	M5GFRW11-1100	VOGUE AIR 無軸 50行程
PGF021FC-	H5GAEBJA212		VOGUE AIR 無軸 60行程
PGF021FD-	H5GAEBJA227		VOGUE AIR 無軸 75行程

29	MFV-286-700	PART	轉向管		1	040550
28	M5R22-2Y11-100	PART	埋頭小螺絲	bolt	1	M3X0.5
27	M5K43-2730-000	PART	小鋼珠	Steel ball	2	#4
26	M5K43-2351-000	PART	彈簧	Spring	2	Pitch 0.85
25	M5GST2CE280H300	PART	內管 (80mm)	Slanchion	1	067156
24	M5GST2CA280H400	PART	內管 (80mm)	Slanchion	1	067156
23	M5GSPB-5006-2	PART	緩衝墊	Top-Out Bumper	1	Φ24X10.5X6L
22	M5GFRW11-0100	PART	外管 (10'NEON)		1	pitch112
21	M5GCR1-DBZA2000	PART	11'VOGUE 鋼管座	CROWN	1	
20	M5GBH9ACF-U	PART	上襯套	Bush.u	2	
19	M5GBH9ACF-D	PART	下襯套	Bush-d	2	
18	M5GBH8CCC1	PART	油封	Oil seal	2	
17	M5GAE9DA183	PART	鎖死調整座	OCR KNOBS	1	073060
16	M5GAE9DA183	PART	氣閘蓋	Air Cap	1	TBD
15	M5GAE9CS27-1	PART	OCR鎖死調整座墊片	shim	1	073059-01
14	M5GACB1012-01	PART	回彈調整螺絲		1	
13	M5GAC9-1004	PART	圓頭內六角螺絲	HEX Bolts	1	M3X0.5X10L
12	M5GAC8-0731	PART	鎖式固定夾	Wire Clip	1	For M3x0.5
11	M5GAC8-001	PART	下座墊片		1	040968
10	M5GAC6002	PART	圓頭內六角螺絲 (NYSEAL)	bolt(NYSEAL)	1	M5X0.8X15L
9	M5GAC01108	PART	導線螺絲	bolt	2	M3X0.5
8	M5FKD-2723-000	PART	煞車軸	pivot	2	M10X1.25
7	H5GDPEAK20B-1	ASSEMBLY	鎖死棒組	Lockout Assembly	1	
6	H5GDPCA265	ASSEMBLY	活塞桿組	Rebound Assembly	1	068132
5	H5GDPBAD24-2	ASSEMBLY	活塞組	PISTON	1	
4	H5GAEBMA250	ASSEMBLY	氣閘座組合導桿	Fixed Guide Assembly	1	
3	H5GAEBLA018	ASSEMBLY	回彈調整鈕		1	
2	H5GAEBJA227	ASSEMBLY	優力膠下座組	Compression Rod Assembly	1	
1	8064A-00500	PART	O形環	O-ring	1	P5
NO	PART NO	TYPE	CHINESE NAME	ENGLISH NAME	QTY	NOTE

Bill of material

MATERIAL	ASSEMBLY	Q'TY	SCALE	MODEL
		1	0.700	15' VOGUE AIR
UNIT	MM			DRAW NO
				PGF020FD-
FASHING	TREAT			rev. 1.1
DESIGN	DRAWING	CHECK	CONFIG	APPE
				NAME
				爆炸圖
				RST