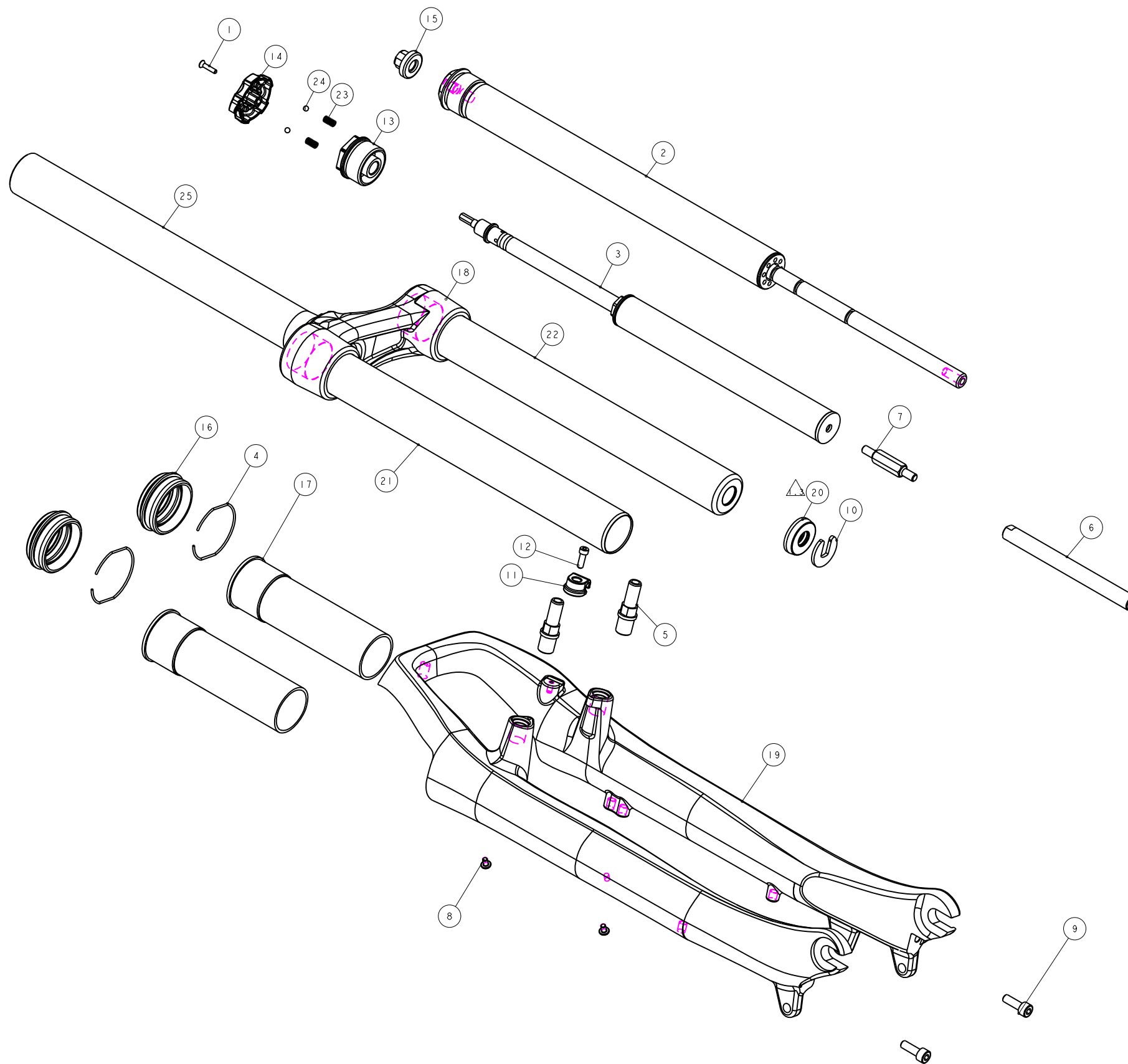


機械加工尺寸一般容許公差					REV.	DATE	DESCRIPTION	CHANGER	CHECK
尺寸	長寬高	尺寸	孔徑	軸徑	△	18 FEB'14	H5GDPFBK12-H5GDPFBK12	許智盛	
1 << 10	±0.2	1 << 10	+0.2 -0.2	+0.2 -0.2	△	18 MAR'14	變更高QPO內管 M5GSTAC1268C000	許智盛	
10.001 << 100	±0.3	10.001 << 100	+0.3 -0.3	+0.3 -0.3	△	03 SEP'14	M5GSTAC0268C000 M5S32-2310-000 →M5GSPB-5006-2	許智盛	
100.001 << 250	±0.5	100.001 << 250	+0.5 -0.5	+0.5 -0.5					
250.001 << 500	±0.8	250.001 << 500	+1.0 -1.0	+1.0 -1.0					
500 <	±1.3	500 <	+1.5 -1.5	+1.5 -1.5					



品號第三碼表示年度碼
PGF為2015, PGG為2016, PGH為2017, 以此類推

項目	成品品號	外管替換料件品號	煞車軸	氣壓棒	規格說明
1	PGX040BB	M5GFRW11-0200	M5FKD-2723-000	H5GDPDCDC265-2	有軸·行程50mm·總高460mm
2	PGX040BC			H5GDPDCDC265-1	有軸·行程60mm·總高470mm
3	PGX041BB	M5GFRW11-1200	不使用	H5GDPDCDC265-2	無軸·行程50mm·總高460mm
4	PGX041BC			H5GDPDCDC265-1	無軸·行程60mm·總高470mm

25	MFBV-286-700	PART	轉向管	Steerer	1	04050
24	M5K43-2730-000	PART	小鋼珠	Steel ball	2	#4
23	M5K43-2351-000	PART	彈簧	Spring	2	Pitch 0.85
22	M5GSTAC1268C000	PART	內管		1	±28.6
21	M5GSTAC0268C000	PART	內管		1	±28.6
20	M5GSPB-5006-2	PART	緩衝墊	Top-Out Bumper	1	±24±10.586L
19	M5GFRW11-0200	PART	外管		1	pitch112
18	M5GCR7-DBZA2000	PART	壓球頭 (邊孔28.6)	Crown	1	Pitch 112
17	M5GBHCEB110	PART	塑膠襯套	Bush	2	110L
16	M5GBHCCC2	ASSEMBLY	油封	oil seal	2	∅37.6
15	M5GAE9DA183	PART	氣閘蓋	Air Cap	1	TBD
14	M5GAE8TZ-2	PART	鎖死旋鈕	Lock out adjust cap	1	
13	M5GAE0DA265	PART	DT固定座 (DA, TNL共用)	DT anchorage	1	M26.5±1.0
12	M5GAC9-1004	PART	膠筒內六角螺絲	HEX Bolts	1	M3X0.5X10L
11	M5GAC8-0731	PART	鐵式固定夾	Wire Clip	1	For M3±0.5
10	M5GAC8-001	PART	下座墊片		1	040968
9	M5GAC6002	PART	膠筒內六角螺絲 (NYSEAL)	bolt(NYSEAL)	2	M3X0.8X15L
8	M5GAC01108	PART	導線螺絲	bolt	2	M3X0.5
7	M5FWV-2Y14-023	PART	螺絲桿	Shank	1	2-M5X0.8
6	M5FUE-2Y10-105	PART	內螺絲接管	pitman	1	M5X0.8-105L
5	M5FKD-2723-000	PART	煞車軸	pivot	2	M10X1.25
4	M5FHJ-2Y70-000	PART	C型扣環	RETAINING RING	2	TBD
3	H5GDPFBK12	ASSEMBLY	15'TNL 鎖死螺絲 (雙線牙版)	travel lock-out Cartridge	1	
2	H5GDPDCDC265-1	ASSEMBLY	氣壓棒	AIR CARTRIDGE	1	
1	1022A-02512C-B	PART	六角承頂螺絲 (黑)	HEX BOLT	1	M2.5X0.45
NO	PART NO	TYPE	CHINESE NAME	ENGLISH NAME	QTY	NOTE

Bill of material

MATERIAL	Assembly	QTY	1	MODEL	VIVA ir -TNL (50/60)
UNIT	MM	SCALE	0.700	DRAW NO	PGX040BC rev. 1.3
FASHING		TREAT		NAME	爆炸圖
DESIGN	DRAWING	CHECK	CONFIG	APPE	RST