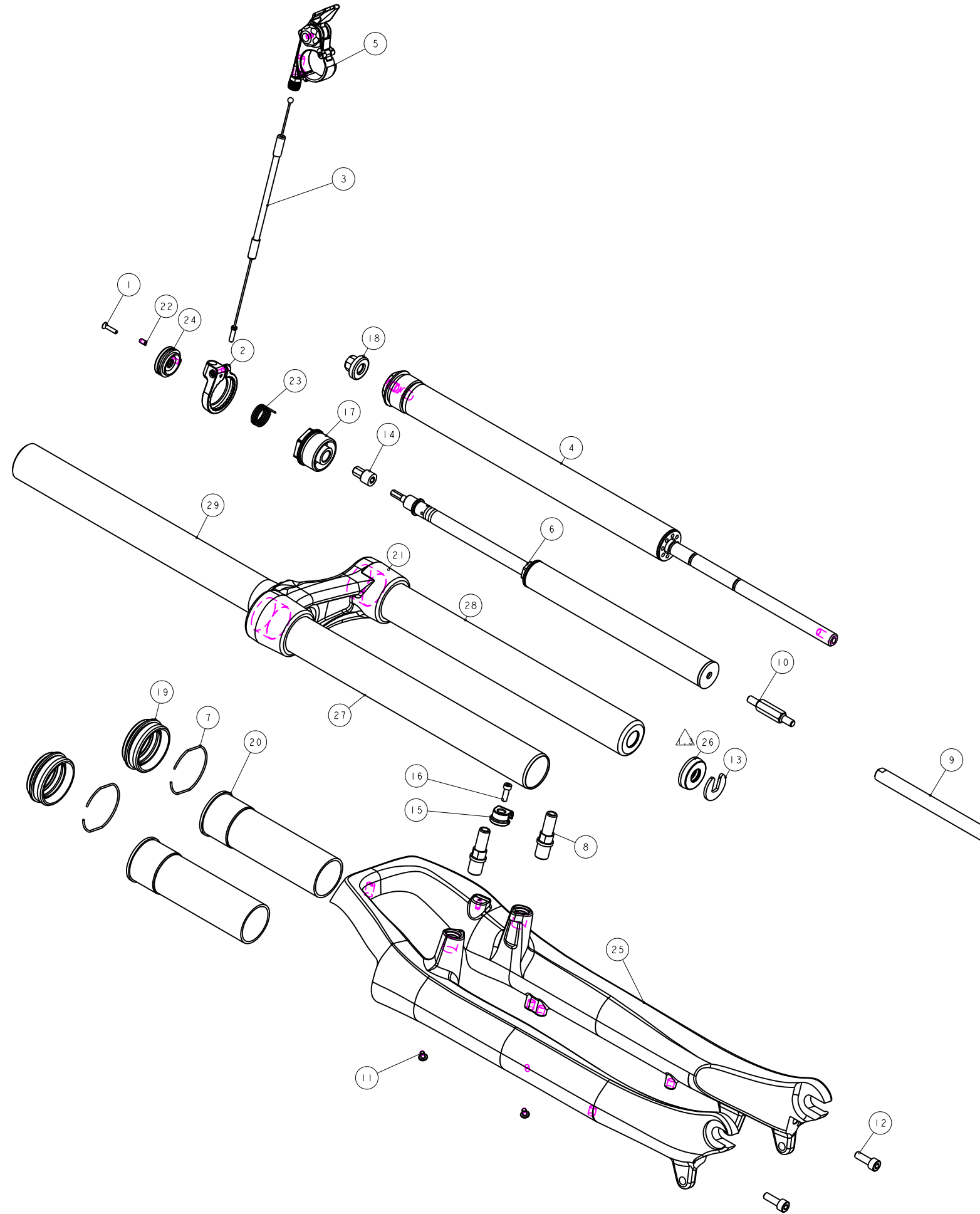


機械加工尺寸一般容許公差					REV.	DATE	DESCRIPTION	CHANGER	CHECK
尺寸	長寬高	尺寸	孔徑	軸徑	△	18 FEB'14	H5GDPFBK12-H5GDPFBK12 H5GDPCBR1-H5GDPCBR3	許智盛	
1 <= 10	±0.2	1 <= 10	+0.2 -0.2	+0.2 -0.2	△	18 MAR'14	變更高QPO內管 M5GSTAC1268C000	許智盛	
10.001 <= 100	±0.3	10.001 <= 100	+0.3 -0.3	+0.3 -0.3	△	03 SEP'14	M5GSTAC0268C000 M5S32-2310-000 -M5GSPB-5006-2	許智盛	
100.001 <= 250	±0.5	100.001 <= 250	+0.5 -0.5	+0.5 -0.5					
250.001 <= 500	±0.8	250.001 <= 500	+1.0 -1.0	+1.0 -1.0					
500 <	±1.3	500 <	+1.5 -1.5	+1.5 -1.5					



品號第三碼表示年度碼
PGF為2015, PGG為2016, PGH為2017, 以此類推

項目	成品品號	外管替換料件品號	煞車軸	氣壓棒	規格說明
1	PGX040CB	M5GFRW11-0200	M5FKD-2723-000	H5GDPCDC265-2	有軸·行程50mm·總高460mm
2	PGX040CC			H5GDPCDC265-1	有軸·行程60mm·總高470mm
3	PGX041CB	M5GFRW11-1200	不使用	H5GDPCDC265-2	無軸·行程50mm·總高460mm
4	PGX041CC			H5GDPCDC265-1	無軸·行程60mm·總高470mm

29	MFBV-286-700	PART	轉向管	Sleerer	1	040550
28	M5GSTAC1268C000	PART	內管		1	±28.6
27	M5GSTAC0268C000	PART	內管		1	±28.6
26	M5GSPB-5006-2	PART	緩衝墊	Top-Out Bumper	1	±24±10.5161
25	M5GFRW11-0200	PART	外管		1	pitch112
24	M5GDKAK03	PART	總控安裝座	Turn Base	1	04
23	M5GDP7ARL-020	PART	螺絲	Corkscrew Coil Spring	1	20h
22	M5GDP7ARL-013	PART	止付螺絲	Grab screw	1	M3x5L
21	M5GCR7-DBZA2000	PART	壓球頭(通孔28.6)	Crown	1	Pitch 112
20	M5GBHCEB110	PART	塑膠襯套	Bush	2	110L
19	M5GBHCCC2	ASSEMBLY	油封	oil seal	2	±37.6
18	M5GAE9DA183	PART	氣筒蓋	Air Cap	1	180
17	M5GAE0DA265	PART	DT固定座(DA, TNL共用)	DT anchorage	1	M26.5±1.0
16	M5GAC9-1004	PART	螺絲內六角螺絲	HEX Bolts	1	M3x10.5x10L
15	M5GAC8-0731	PART	鎖式固定夾	Wire Clip	1	For M3x0.5
14	M5GAC8-0404	PART	彈簧	Switch Stand	1	14.8L
13	M5GAC8-001	PART	下座墊片		1	040968
12	M5GAC6002	PART	螺絲內六角螺絲(NYSEAL)	bolts(NYSEAL)	2	M5x10.8x15L
11	M5GAC01108	PART	螺絲螺絲	bolts	2	M3x10.5
10	M5FWV-2Y14-023	PART	螺絲螺絲	Shank	1	2-M5x10.8
9	M5FUE-2Y10-105	PART	內螺絲螺絲	pinman	1	M5x10.8-105L
8	M5FKD-2723-000	PART	煞車軸	pivot	2	M10x1.25
7						

Bill of material

MATERIAL	Assembly	QTY	1	MODEL	VIVAir-RL(50/60)	
UNIT	MM	SCALE	0.600	DRAW NO	PGX040CC	rev. 1.3
FASHING		TREAT		NAME	爆炸圖	
DESIGN	DRAWING	CHECK	CONFIG	APPE	RST	