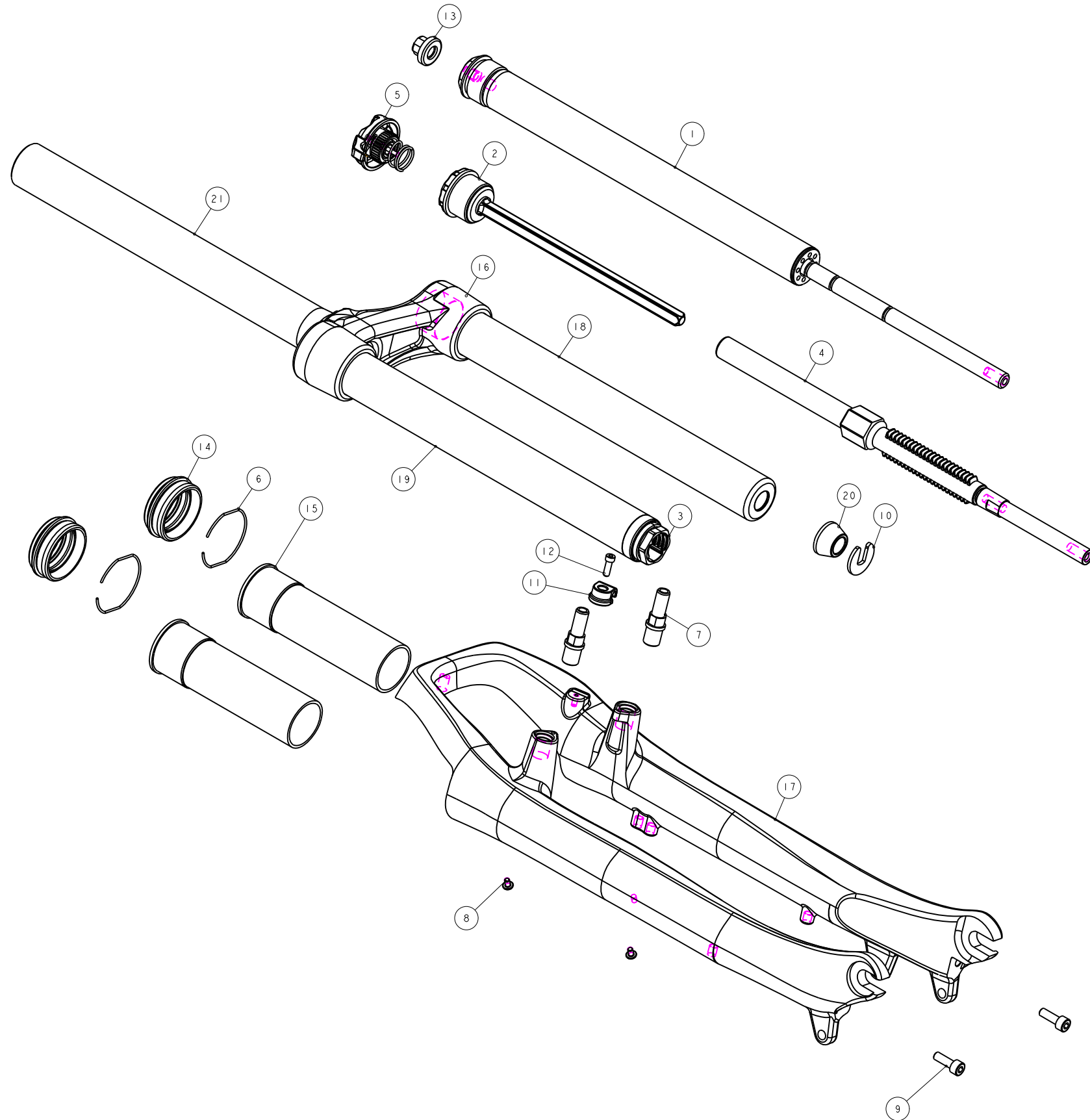


機械加工尺寸一般容許公差					REV.	DATE	DESCRIPTION	CHANGER	CHECK
尺寸	長寬高	尺寸	孔徑	軸徑					
1 <= 10	±0.2	1 <= 10	+0.2 -0.3	+0.2 -0.2					
10.001 <= 100	±0.3	10.001 <= 100	+0.3 -0.4	+0.3 -0.3					
100.001 <= 250	±0.5	100.001 <= 250	+0.5 -0.6	+0.5 -0.5					
250.001 <= 500	±0.8	250.001 <= 500	+1.0 -1.0	+1.0 -1.0					
500 <	±1.3	500 <	+1.5 -1.5	+1.5 -1.5					



品號第三碼表示年度碼  
PGF為2015, PGG為2016, PGH為2017, 以此類推

項目	成品品號	外管替換料件品號	煞車軸	氣壓棒	規格說明
1	PGX040DB	M5GFRW11-0200	M5FKD-2723-000	H5GDPDCDC265-2	有軸、行程50mm、總高460mm
2	PGX040DC			H5GDPDCDC265-1	有軸、行程60mm、總高470mm
3	PGX041DB	M5GFRW11-1200	不使用	H5GDPDCDC265-2	無軸、行程50mm、總高460mm
4	PGX041DC			H5GDPDCDC265-1	無軸、行程60mm、總高470mm

21	MFBV-286-700	PART	轉向管	Steerer	1	040550
20	M5S32-2310-000	PART	緩衝墊	Top-Out Bumper	1	φ21.5X11.5
19	M5GSTAC4268B000	PART	內管(鈦色)	Stanchion	1	26L
18	M5GSTAC1268B000	PART	縮口內管(電鍍)		1	φ28.6
17	M5GFRW11-0200	PART	外管		1	pitch112
16	M5GCR7-DBZA2000	PART	壓縮頭(螺孔28.6)	Crown	1	Pitch 112
15	M5GBHCEB110	PART	塑膠襯套	Bush	2	110L
14	M5GBHCCC2	ASSEMBLY	油封	oil seal	2	φ37.6
13	M5GAE9DA183	PART	氣筒蓋	Air Cap	1	TBD
12	M5GAC9-1004	PART	圓筒內六角螺絲	HEX Bolts	1	M3X0.5X10L
11	M5GAC8-0731	PART	鐵式固定夾	Wire Clip	1	For M3x0.5
10	M5GAC8-001	PART	下座墊片		1	040968
9	M5GAC6002	PART	圓筒內六角螺絲(NYSEAL)	bolt(NYSEAL)	2	M5X0.8X15L
8	M5GAC01108	PART	導線螺絲	bolt	2	M3X0.5
7	M5FKD-2723-000	PART	煞車軸	pivot	2	M10X1.25
6	M5FHJ-2Y70-000	PART	C型扣環	RETAINING RING	2	TBD
5	H5GMLC-007-286	ASSEMBLY	旋轉蓋組	Cap Assembly	1	
4	H5GML-005-85	ASSEMBLY	齒輪組(含外管座)	Hypoid Assembly	1	
3	H5GML-003-8	ASSEMBLY	28.6內管鎖死下座(塑膠)	Lock-Out Spacer	1	
2	H5GML-002-8	ASSEMBLY	調整螺絲(φ26.5)	Fixed Guide Assembly	1	
1	H5GDPDCDC265-1	ASSEMBLY	氣壓棒	AIR CARTRIDGE	1	
NO	PART NO	TYPE	CHINESE NAME	ENGLISH NAME	QTY	NOTE

### Bill of material

MATERIAL	Assembly	QTY	1	MODEL	VIVAir-ML(50/60)		
UNIT	MM	SCALE	0.700	DRAW NO	PGX040DC	rev.	1.0
FASHING		TREAT		NAME	爆炸圖		
DESIGN	DRAWING	CHECK	CONFIG	APPE	RST		