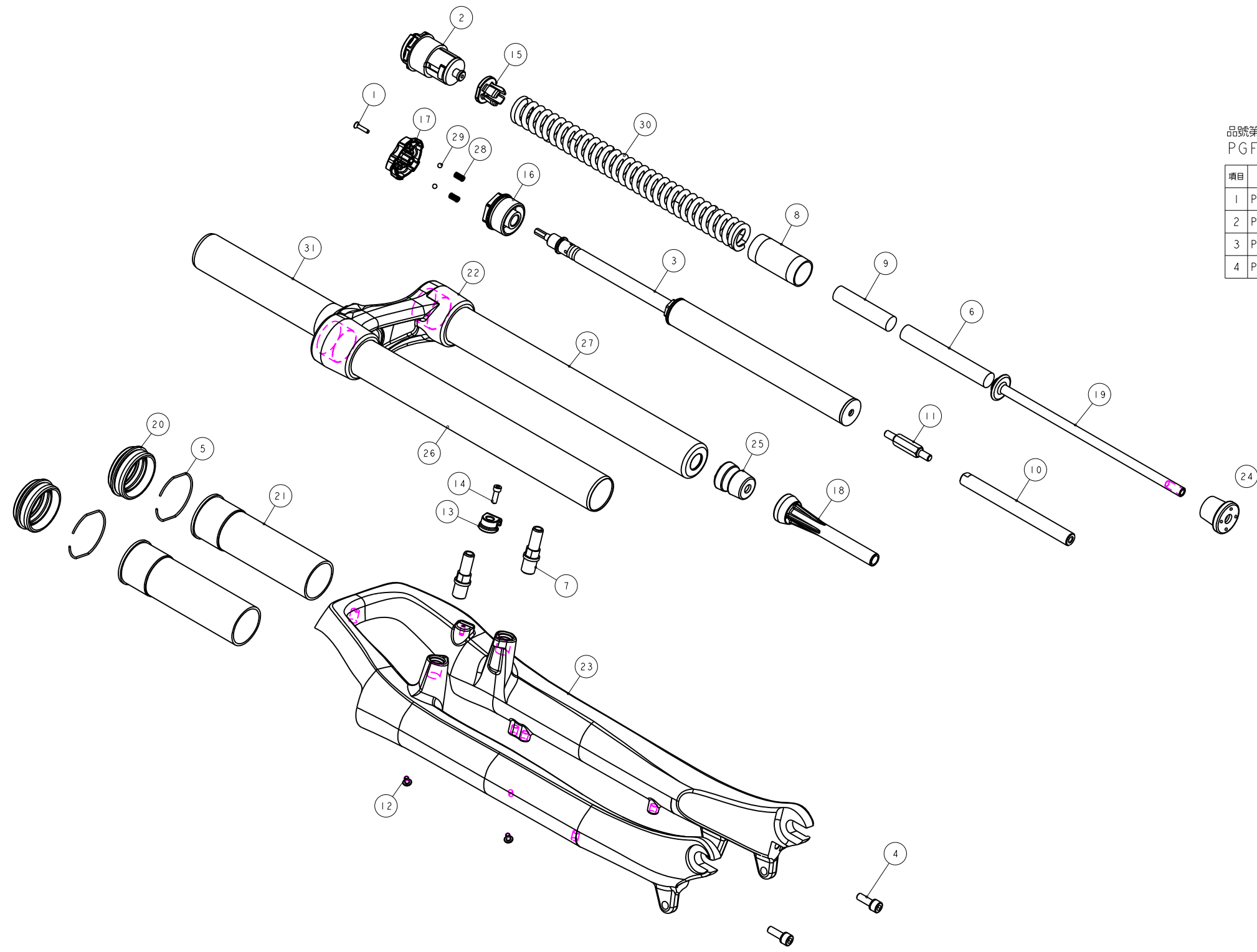


機械加工尺寸一般容許公差					REV.	DATE	DESCRIPTION	CHANGER	CHECK
尺寸	長度	尺寸	孔徑	軸徑	△	18 FEB'14	H5GDPFBK12-H5GDPFBK12	許智盛	
1 < 10	±0.2	1 < 10	+0.2 -0.2	+0.2 -0.2	△	17 MAR'14	變更為紅色內管 M5GSTAC1268B000 M5GSTAC0268B000	許智盛	
10.001 < 100	±0.3	10.001 < 100	+0.3 -0.3	+0.3 -0.3					
100.001 < 250	±0.5	100.001 < 250	+0.5 -0.5	+0.5 -0.5					
250.001 < 500	±0.8	250.001 < 500	+1.0 -1.0	+1.0 -1.0					
500 <	±1.3	500 <	+1.5 -1.5	+1.5 -1.5					



品號第三碼表示年度碼
PGF 為 2015, PGG 為 2016, PGH 為 2017, 以此類推

項目	成品品號	外管組替換零件品號	煞車軸	優力膠下座	規格說明
1	PGX036BB	M5GFRW11-0200	M5FKD-2723-000	M5GAEJC170	有軸、行程50mm、總高460mm
2	PGX036BC			M5GAEJC180	有軸、行程60mm、總高470mm
3	PGX037BB	M5GFRW11-1200	不使用	M5GAEJC170	無軸、行程50mm、總高460mm
4	PGX037BC			M5GAEJC180	無軸、行程60mm、總高470mm

31	MFPV-286-100	PART	轉向管	Steerer	1	±28.6
30	MF2350-220-145	PART	彈簧	Spring	1	220L
29	M5K43-2730-000	PART	小鋼珠	Steel ball	2	φ4
28	M5K43-2351-000	PART	彈簧	Spring	2	Pitch 0.85
27	M5GSTAC1268B000	PART	內管		1	±28.6
26	M5GSTAC0268B000	PART	開口內管		1	±28.6
25	M5GSPB-503-40	PART	緩衝墊	Top-Out Bumper	1	Φ40
24	M5GSPB-420-8	PART	緩衝墊	Top-Out Bumper	1	
23	M5GFRW11-0200	PART	外管		1	pitch112
22	M5GCR7-DBGA2000	PART	壓球頭 (通孔28.6)	Crown	1	Pitch 112
21	M5GBHCEB110	PART	鑲膠襯套	Bush	2	110L
20	M5GBHCCC2	ASSEMBLY	油封	oil seal	2	φ37.6
19	M5GAEJC180	PART	優力膠下座	Compression Rod	1	180L
18	M5GAECB090	PART	外管座	bottom_out space	1	φ7.2xφ10x90L
17	M5GAE8TZ-2	PART	鎖死螺絲	lock out adjust cap	1	
16	M5GAE0DA265	PART	DT固定座 (DA, TNL 共用)	DT anchorage	1	M26.5x1.0
15	M5GAE-0PB021	PART	彈簧座	Spring Guide	1	
14	M5GAC9-1004	PART	圓筒內六角螺絲	HEX Bolts	1	M310.5X10L
13	M5GAC8-0731	PART	鎖式固定夾	Wire Clip	1	For M3x0.5
12	M5GAC01108	PART	導線螺絲	bolt	2	M3x0.5
11	M5FWV-2Y14-023	PART	螺絲桿	Shank	1	2-M5x0.8
10	M5FUE-2Y10-105	PART	內螺絲接管	pitman	1	M5x0.8-105L
9	M5FQ9-2310-000	PART	定距橡皮	Top-Out Bumper	1	φ12x52L Hs40M
8	M5FNL-2311-000	PART	彈簧護套	Spring Sheath	1	TBD
7	M5FKD-2723-000	PART	煞車軸	pivot	2	M10x1.25
6	M5FKA-2311-000	PART	定距橡皮	Top-Out Bumper	1	φ12x52L Hs40M
5	M5FHJ-2Y70-000	PART	C型扣環	RETAINING RING	2	TBD
4	M5FA2-2Y12-100	PART	圓筒內六角螺絲	HEX Bolts	2	M5x0.8x15L
3	H5GDPFBK12	ASSEMBLY	15'TNL 鎖死螺絲 (雙鎖牙版)	level lock-out Cartridge	1	Φ120
2	H5GAE0A285	ASSEMBLY	10' 調整座組 φ28.6	Adjust knob	1	M26.5x1.0
1	1022A-02512C-B	PART	六角承鎖螺絲 (黑)	HEX BOLT	1	M2.5x0.45
NO	PART NO	TYPE	CHINESE NAME	ENGLISH NAME	QTY	NOTE

Bill of material

MATERIAL	Assembly	QTY	1	MODEL	VITA 700C TNL (50/60)
UNIT	MM	SCALE	0.600	DRAW NO	PGX036BC rev. 1.2
FASHING		TREAT		NAME	爆炸圖
DESIGN	DRAWING	CHECK	CONFIG	APPE	RST