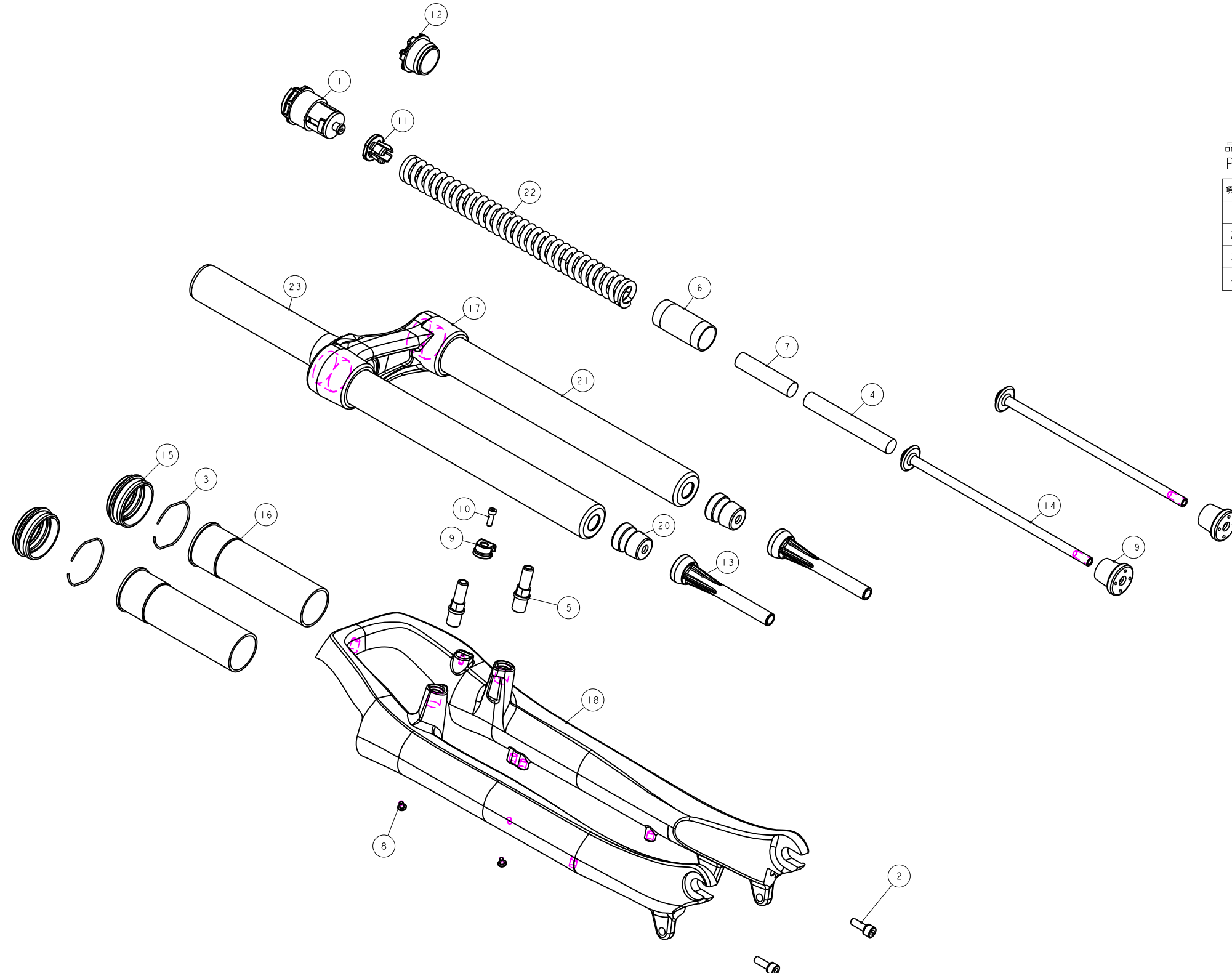


機械加工尺寸一般容許公差					REV.	DATE	DESCRIPTION	CHANGER	CHECK
尺寸	長寬高	尺寸	孔徑	軸徑	△	17 MAR '14	變更為綠色內管 MSGSTAC1268B000	許智盛	
1 < 10	±0.2	1 < 10	+0.2 -0.2	+0 -0.2					
10.001 < 100	±0.3	10.001 < 100	+0.3 -0.3	+0 -0.3					
100.001 < 250	±0.5	100.001 < 250	+0.5 -0.5	+0 -0.5					
250.001 < 500	±0.8	250.001 < 500	+1.0 -0.8	+1.0 -1.0					
500 <	±1.3	500 <	+1.5 -1.3	+1.5 -1.5					



品號第三碼表示年度碼
PGF為2015, PGG為2016, PGH為2017, 以此類推

項目	成品品號	外管替換料品號	煞車軸	優力膠下座	規格說明
1	PGX036AB	M5GFRW11-0200	M5FKD-2723-000	M5GAEJC170	有軸、行程50mm、總高460mm
2	PGX036AC			M5GAEJC180	有軸、行程60mm、總高470mm
3	PGX037AB	M5GFRW11-1200	不使用	M5GAEJC170	無軸、行程50mm、總高460mm
4	PGX037AC			M5GAEJC180	無軸、行程60mm、總高470mm

23	MFPV-286-100	PART	轉向管	Steerer	1	φ28.6
22	MF2350-220-145	PART	彈簧	Spring	1	220L
21	MSGSTAC1268B000	PART	內管		2	φ28.6
20	M5GSPB-503-40	PART	緩衝墊	Top-Out Bumper	2	φ40
19	M5GSPB-420-8	PART	緩衝墊	Top-Out Bumper	2	
18	M5GFRW11-0200	PART	外管		1	pitch112
17	M5GCR7-DBG2000	PART	壓鑄鋼(透孔φ28.6)	Crown	1	Pitch 112
16	M5GBHCEB110	PART	塑膠襯套	Bush	2	110L
15	M5GBHCCC2	ASSEMBLY	油封	oil seal	2	φ37.6
14	M5GAEJC180	PART	優力膠下座	Compression Rod	2	180L
13	M5GAECEB030	PART	外管座	bottom_out space	2	φ7.2xφ10x90L
12	M5GAE8MG030	PART	防護蓋	Dust cap	1	TBD
11	M5GAE-0PB021	PART	彈簧座	Spring Guide	1	
10	M5GAC9-1004	PART	螺絲內六角螺絲	HEX Bolts	1	M3X0.5X10L
9	M5GAC8-0731	PART	鎖式固定夾	Wire Clip	1	For M3x0.5
8	M5GAC01108	PART	導線螺絲	bolt	2	M3X0.5
7	M5FQ9-2310-000	PART	定距橡皮	Top-Out Bumper	1	φ12X52L Hs400
6	M5FNL-2311-000	PART	彈簧護套	Spring Sheath	1	TBD
5	M5FKD-2723-000	PART	煞車軸	pivot	2	M10X1.25
4	M5FKA-2311-000	PART	定距橡皮	Top-Out Bumper	1	φ12X52L Hs400
3	M5FHJ-2Y70-000	PART	C型扣環	RETAINING RING	2	TBD
2	M5FA2-2Y12-100	PART	螺絲內六角螺絲	HEX Bolts	2	M5x0.8x15L
1	H5GAE0A285	ASSEMBLY	10' 調整螺絲 φ28.6	Adjust knob	1	M26.5X1.0
NO	PART NO	TYPE	CHINESE NAME	ENGLISH NAME	QTY	NOTE

Bill of material

MATERIAL	Assembly	Q'TY	1	MODEL	VITA 700C T(50/60)		
UNIT	MM	SCALE	0.600	DRAW NO	PGX036AC	rev.	1.1
FASHING		TREAT		NAME	爆炸圖		
DESIGN	DRAWING	CHECK	CONFIG	APPE	RST		