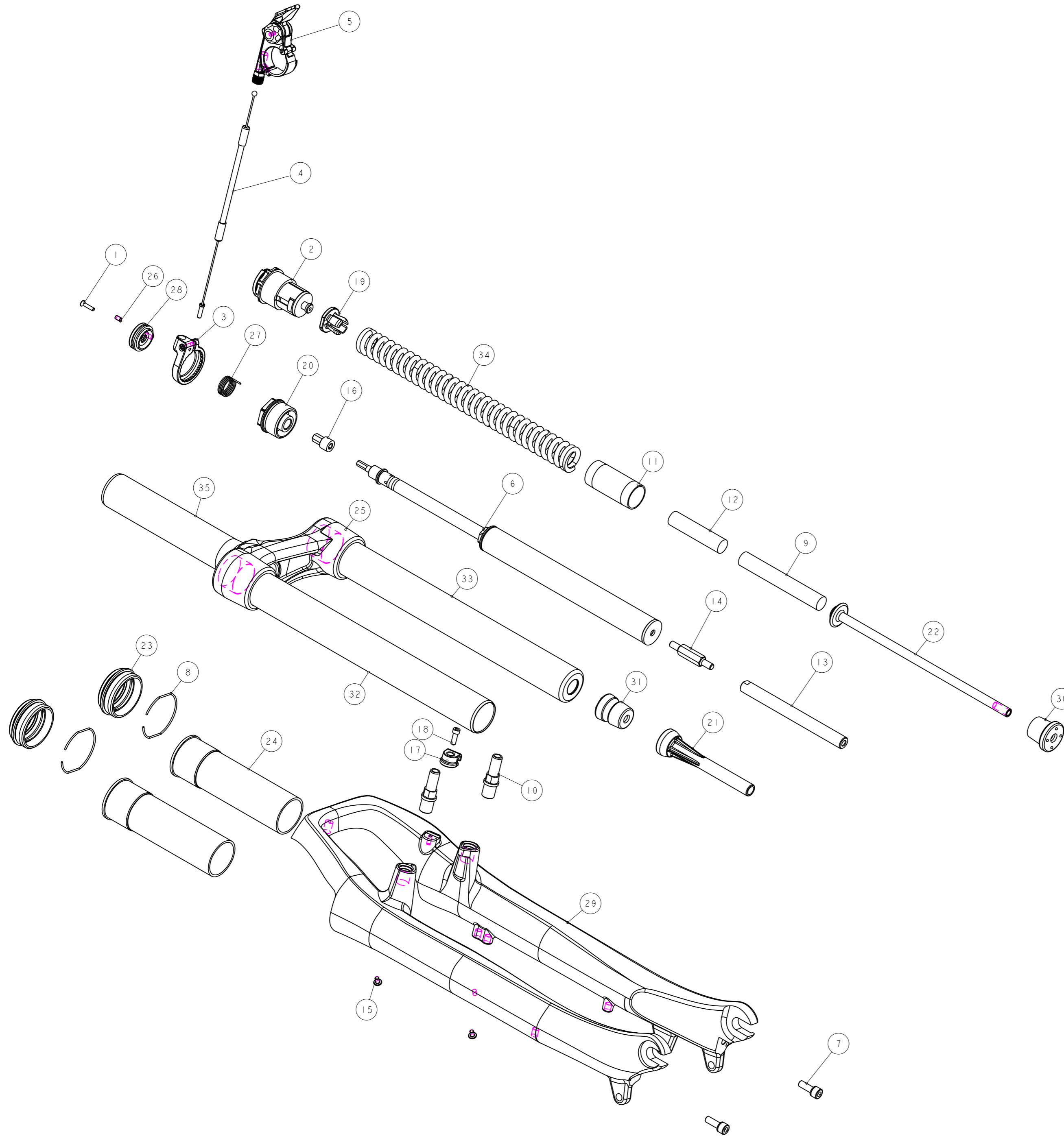


機械加工尺寸一般容許公差				REV.	DATE	DESCRIPTION	CHANGER	CHECK
尺寸	長寬高	尺寸	孔徑	軸徑				
1 <= 10	±0.2	1 <= 10	+0.2 -0	+0 -0.2	△	18 FEB'14	H5GDPFBK12→H5GDPFBK12 H5GDPBRI→H5GDPDAR3	許晉盛
10.001 <= 100	±0.3	10.001 <= 100	+0.3 -0	+0 -0.3				
100.001 <= 250	±0.5	100.001 <= 250	+0.5 -0	+0 -0.5				
250.001 <= 500	±0.8	250.001 <= 500	+1.0 -0	+0 -1.0	△	17 MAR'14	變更為灰色內管 M5GSTAC1268B000 M5GSTAC0268B000	許晉盛
500 <	±1.3	500 <	+1.5 -0	+0 -1.5				



品號第三碼表示年度碼  
PGF為2015, PGG為2016, PGH為2017, 以此類推

項目	成品品號	外管替換料品號	煞車軸	優力膠下座	規格說明
1	PGX036CB	M5GFRW11-0200	M5FKD-2723-000	M5GAEJC170	有軸、行程50mm、總高460mm
2	PGX036CC			M5GAEJC180	有軸、行程60mm、總高470mm
3	PGX037CB	M5GFRW11-1200	不使用	M5GAEJC170	無軸、行程50mm、總高460mm
4	PGX037CC			M5GAEJC180	無軸、行程60mm、總高470mm

35	MFPV-286-100	PART	轉向管	Steerer	1	±28.6
34	MF2350-220-145	PART	彈簧	Spring	1	220L
33	M5GSTAC1268B000	PART	內管		1	±28.6
32	M5GSTAC0268B000	PART	開口內管		1	±28.6
31	M5GSPB-503-40	PART	緩衝墊	Top-Out Bumper	1	±40
30	M5GSPB-420-8	PART	緩衝墊	Top-Out Bumper	1	
29	M5GFRW11-0200	PART	外管		1	pitch112
28	M5GDPAK03	PART	線控旋轉	Turn Base	1	8h
27	M5GDP7ARL-020	PART	釘簧	Corkscrew Coil Spring	1	20h
26	M5GDP7ARL-013	PART	止付螺絲	Grub screw	1	M3x5L
25	M5GCR7-DBG2000	PART	壓鑄頭 (邊孔28.6)	Crown	1	Pitch 112
24	M5GBHCEB110	PART	塑膠襯套	Bush	2	110L
23	M5GBHCC2	ASSEMBLY	油封	oil seal	2	∅37.6
22	M5GAEJC180	PART	優力膠下座	Compression Rod	1	180L
21	M5GAECB090	PART	外管座	bottom_out space	1	±7.2±10±90L
20	M5GAEODA265	PART	DT固定座 (DA, TNL共用)	DT anchorage	1	M26.5x1.0
19	M5GAE-0PB021	PART	彈簧座	Spring Guide	1	
18	M5GAC9-1004	PART	圓頭六角螺絲	HEX Bolts	1	M3x0.5x10L
17	M5GAC8-0731	PART	線式固定夾	Wire Clip	1	for M3x0.5
16	M5GAC8-0404	PART	導套	Switch Stand	1	14.8L
15	M5GAC01108	PART	導線螺絲	bolt	2	M3x0.5
14	M5FWV-2Y14-023	PART	螺絲接桿	Shank	1	2-M5x0.8
13	M5FUE-2Y10-105	PART	內螺紋接管	pitman	1	M5x0.8-105L
12	M5FQ9-2310-000	PART	定距橡皮	Top-Out Bumper	1	±12x52L Hs40h
11	M5FNL-2311-000	PART	彈簧護套	Spring Sheath	1	TBD
10	M5FKD-2723-000	PART	煞車軸	pivot	2	M10x1.25
9	M5FKA-2311-000	PART	定距橡皮	Top-Out Bumper	1	±12x82L Hs40h
8	M5FHJ-2Y70-000	PART	C型扣環	RETAINING RING	2	TBD
7	M5FA2-2Y12-100	PART	圓頭六角螺絲	HEX Bolts	2	M5x0.8x15L
6	H5GDPFBK12	ASSEMBLY	15'TNL 鎖死鎖 (雙線牙版)	ravel lock-out Cartridge	1	±120
5	H5GDPDAR3	ASSEMBLY	TRL 線桿組 (鋅合金)	Tiny Remote Lockout	1	
4	H5GDPARL3-1	ASSEMBLY	12'RL 煞車線外線組	Remote Outline Assembly	1	
3	H5GDPBARL6	ASSEMBLY	08'RL 扣環組 (高級)	Remote Outline Base	1	
2	H5GAE0A285	ASSEMBLY	10' 調整桿組 ∅28.6	Adjust knob	1	M26.5x1.0
1	1022A-02512C-B	PART	六角承窩螺絲 (黑)	HEX BOLT	1	M2.5x0.45
NO	PART NO	TYPE	CHINESE NAME	ENGLISH NAME	QTY	NOTE

### Bill of material

MATERIAL	Assembly	Q'TY	1	MODEL	VITA 700C RL(50/60)
UNIT	MM	SCALE	0.600	DRAW NO	PGX036CC rev. 1.2
FASHING		TREAT		NAME	爆炸圖
DESIGN	DRAWING	CHECK	CONF IG	APPE	RST