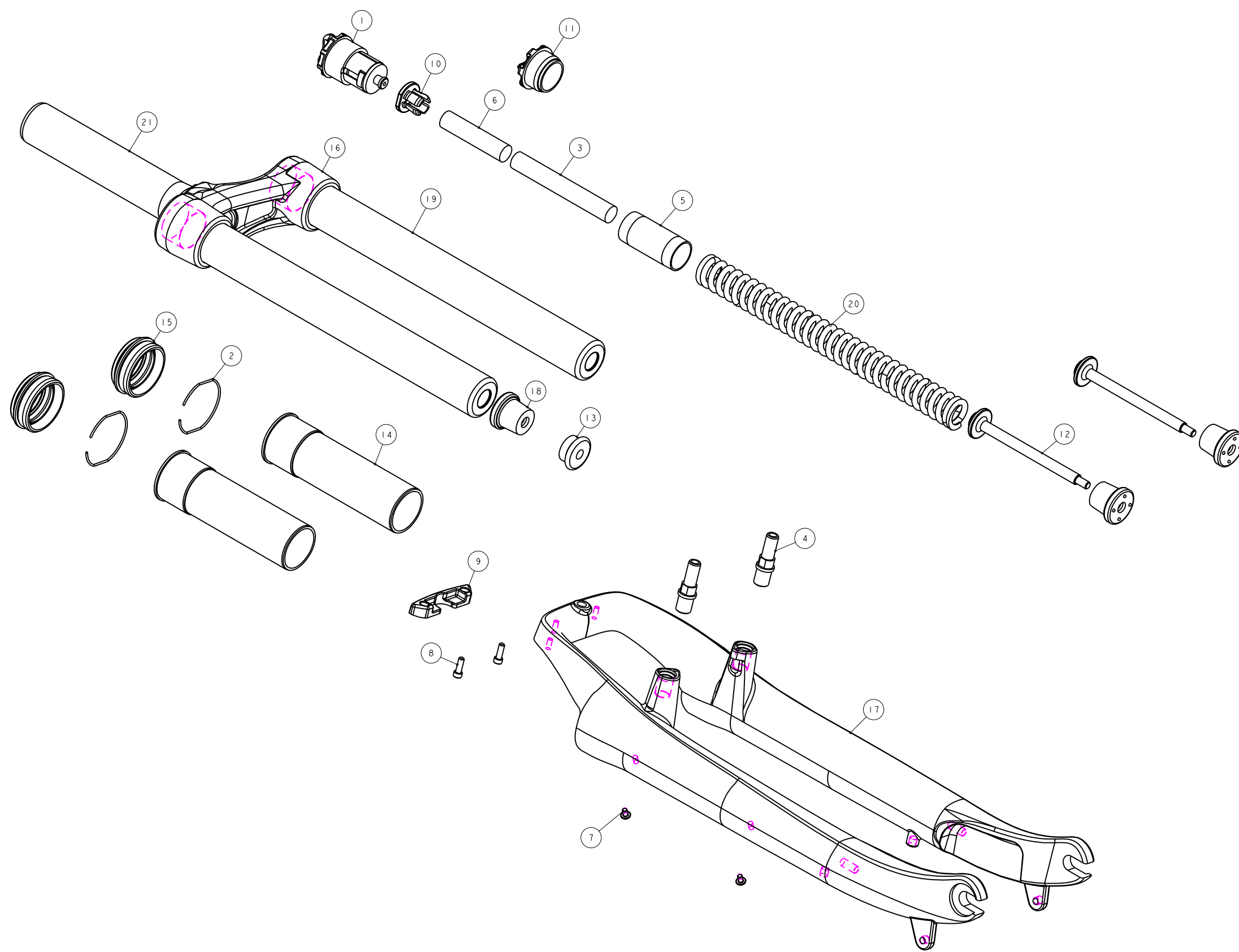


機械加工尺寸一般容許公差					REV.	DATE	DESCRIPTION	CHANGER	CHECK
尺寸	長度	尺寸	孔徑	軸徑					
1 < 10	±0.2	1 < 10	+0.2 -0.2	+0 -0.2					
10.001 < 100	±0.3	10.001 < 100	+0.3 -0.3	+0 -0.3					
100.001 < 250	±0.5	100.001 < 250	+0.5 -0.5	+0 -0.5					
250.001 < 500	±0.8	250.001 < 500	+1.0 -0.8	+1.0 -1.0					
500 <	±1.3	500 <	+1.5 -1.3	+1.5 -1.3					



品號第三碼表示年度碼
PGF為2015, PGG為2016, PGH為2017, 以此類推

成品品號	優力膠下座	規格備註
PGX044AA	M5GAEKC085	行程40·總高450
PGX044AB	M5GAEKC095	行程50·總高460

NO	PART NO	TYPE	CHINESE NAME	ENGLISH NAME	QTY	NOTE
21	MFPV-286-100	PART	轉向管	Steerer	1	∅28.6
20	MF2350-220-145	PART	彈簧	Spring	1	220L
19	M5GSTAC1268A000	PART	縮口內管(電鍍)		2	∅28.6
18	M5GSPB-420-8	PART	緩衝墊	Top-Out Bumper	3	
17	M5GFRLC1-0000	PART	SOF1-PLS 外管加工		1	pitch112
16	M5GCR7-DBG2000	PART	壓鑄頭(選孔28.6)	Crown	1	Pitch 112
15	M5GBHCC2	ASSEMBLY	油封	oil seal	2	∅37.6
14	M5GBH9ACB1	PART	NEON-PRO 變壓器	Bush	2	110L
13	M5GAEMB10	PART	外管座	Bottom-out spacer	1	10L
12	M5GAEMK095	PART	優力膠下座(外牙)	Compression Rod	2	95L
11	M5GAEBMG030	PART	防塵蓋	Dust cap	1	TBD
10	M5GAE-0PB021	PART	彈簧座	Spring Guide	1	
9	M5GACC1220-01	PART	燈架蓋		1	
8	M5GAC9-1004	PART	圓頭內六角螺絲	HEX Bolts	2	M3X0.5X10L
7	M5GAC01108	PART	導線螺絲	bolt	2	M3X0.5
6	M5FQ9-2310-000	PART	定距橡皮	Top-Out Bumper	1	∅12X52L Hs40M
5	M5FNL-2311-000	PART	彈簧護套	Spring Sheath	1	TBD
4	M5FKD-2723-000	PART	煞車軸	pivot	2	M10X1.25
3	M5FKA-2311-000	PART	定距橡皮	Top-Out Bumper	1	∅12X82L Hs40M
2	M5FHJ-2Y70-000	PART	C型扣環	RETAINING RING	2	TBD
1	H5FNM-2163-100	ASSEMBLY	調整座組 2006	Adjuster Assembly	1	M26.5X1.0

Bill of material									
MATERIAL	Assembly	QTY	1	MODEL	VERSE T (40/50)				
UNIT	MM	SCALE	0.750	DRAW NO	PGX044AB	rev.	1.0		
FASHING	TREAT								
DESIGN	DRAWING	CHECK	CONFIG	APPE	NAME	爆炸圖			
RST									