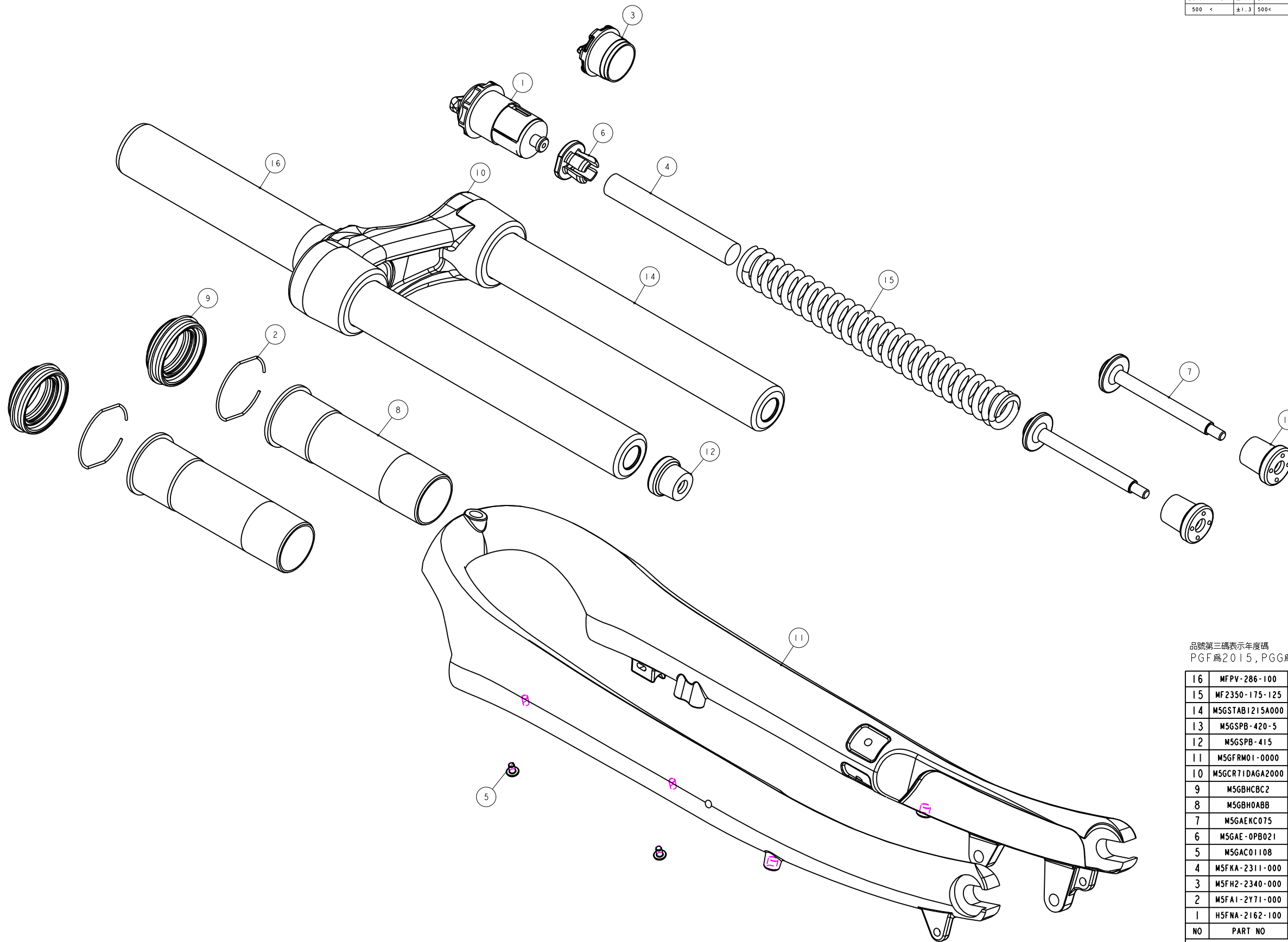


機械加工尺寸一般容許公差					REV.	DATE	DESCRIPTION	CHANGER	CHECK
尺寸	長寬高	尺寸	孔徑	軸徑					
1 <= 10	±0.2	1 <= 10	+0.2 -0.2	+0 -0.2					
10.001 <= 100	±0.3	10.001 <= 100	+0.3 -0.3	+0 -0.3					
100.001 <= 250	±0.5	100.001 <= 250	+0.5 -0.5	+0 -0.5					
250.001 <= 500	±0.8	250.001 <= 500	+1.0 -0.8	+1.0 -1.0					
500 <	±1.3	500 <	+1.5 -1.3	+1.5 -1.5					



品號第三碼表示年度碼
PGF為2015, PGG為2016, PGH為2017, 以此類推

NO	PART NO	TYPE	CHINESE NAME	ENGLISH NAME	QTY	NOTE
16	MFPV-286-100	PART	轉向管	Sleerer	1	φ28.6
15	MF2350-175-125	PART	彈簧	Spring	1	175L
14	M5GSTAB1215A000	PART	內管	Stanchion	2	φ25.4
13	M5GSPB-420-5	PART	緩衝墊	Top-Out Bumper	2	20L
12	M5GSPB-415	PART	緩衝墊	Top-Out Bumper	1	15L
11	M5GFRM01-0000	PART	外管加工		1	P112 . 25.4
10	M5GCR71DAGA2000	PART	壓縮桿管座	Crown	1	
9	M5GBHCBC2	PART	油封		2	φ35.6xφ35.1x6H
8	M5GAEC08BB	PART	長型膠襯套		2	100L
7	M5GAEC075	PART	壓力膠下座(外牙)	Compression Rod	2	75L
6	M5GAE-0PB021	PART	彈簧座	Spring Guide	1	
5	M5GAC01108	PART	專線螺絲	bolt	2	M3X0.5
4	M5FKA-2311-000	PART	定位橡皮	Top-Out Bumper	1	φ12xφ2L Hs400H
3	M5FH2-2340-000	PART	防護蓋	Dust cap	1	PVC
2	M5FAI-2Y71-000	PART	C形扣環		2	φ37xφ1.2
1	H5FNA-2162-100	ASSEMBLY	調整座組 2006	Adjuster Assembly	1	M23.5x1.0

Bill of material

MATERIAL	Assembly	QTY	1	MODEL	URBAN T(40)	
UNIT	MM	SCALE	1.000	DRAW NO	PGX049AA	rev. 1.0
FASHING		TREAT		NAME	爆炸圖	
DESIGN	DRAWING	CHECK	CONFIG	APPE	RST	