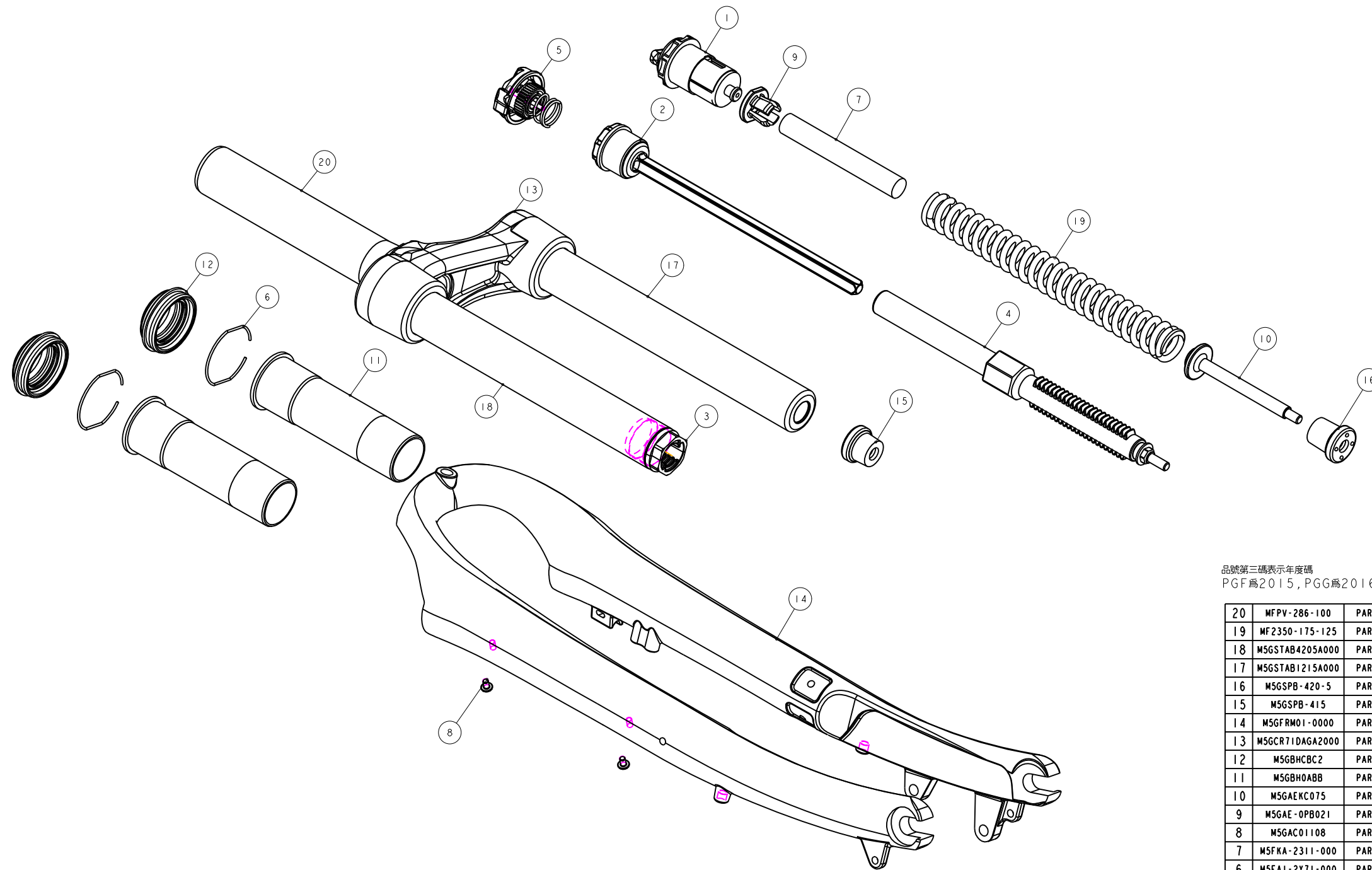


機械加工尺寸一般容許公差					REV.	DATE	DESCRIPTION	CHANGER	CHECK
尺寸	長度	尺寸	孔徑	軸徑					
1 < 10	±0.2	1 < 10	+0.2 -0.3	+0.2 -0.2					
10.001 < 100	±0.3	10.001 < 100	+0.3 -0.4	+0.3 -0.3					
100.001 < 250	±0.5	100.001 < 250	+0.5 -0.6	+0.5 -0.5					
250.001 < 500	±0.8	250.001 < 500	+1.0 -1.0	+1.0 -1.0					
500 <	±1.3	500 <	+1.5 -1.5	+1.5 -1.5					



品號第三碼表示年度碼
PGF為2015, PGG為2016, PGH為2017, 以此類推

NO	PART NO	TYPE	CHINESE NAME	ENGLISH NAME	QTY	NOTE
20	MFPV-286-100	PART	轉向管	Steerer	1	∅28.6
19	MF2350-175-125	PART	彈簧	Spring	1	175L
18	M5GSTAB4205A000	PART	內管		1	∅25.4X205L
17	M5GSTAB1215A000	PART	內管	Stanchion	1	∅25.4
16	M5GSPB-420-5	PART	緩衝墊	Top-Out Bumper	1	20L
15	M5GSPB-415	PART	緩衝墊	Top-Out Bumper	1	15L
14	M5GCRM01-0000	PART	外管加工		1	P112, 25.4
13	M5GCR71DAGA2000	PART	壓縮管座	Crown	1	
12	M5GBHCBC2	PART	油封		2	∅35.6X∅35.1X6H
11	M5GBHOABB	PART	長型彈簧套		2	100L
10	M5GAEKC075	PART	傳力膠下座(外牙)	Compression Rod	1	75L
9	M5GAE-0PB021	PART	彈簧座	Spring Guide	1	
8	M5GAC01108	PART	導線螺絲	bolll	2	M3X0.5
7	M5FKA-2311-000	PART	定位橡皮	Top-Out Bumper	1	∅12X82L Hs40M
6	M5FAI-2Y71-000	PART	C形扣環		2	∅37X∅1.2
5	H5GMLC-007-254	ASSEMBLY	旋轉蓋組	Cap Assembly	1	
4	H5GML-005-04-1	ASSEMBLY	齒輪絲組(含外管座)		1	
3	H5GML-003-5	ASSEMBLY	鎖死內管下座組	LOCK OUT	1	
2	H5GML-002-5	ASSEMBLY	調整絲組(∅25.4)	Fixed Guide Assembly	1	
1	H5FNA-2162-100	ASSEMBLY	調整座組 2006	Adjuster Assembly	1	M23.5x1.0

Bill of material

MATERIAL	Assembly	QTY	1	MODEL	URBAN ML(40)	
UNIT	MM	SCALE	0.800	DRAW NO	PGX049DA	rev. 1.0
FASHING		TREAT		NAME	爆炸圖	
DESIGN	DRAWING	CHECK	CONFIG	APPE	RST	