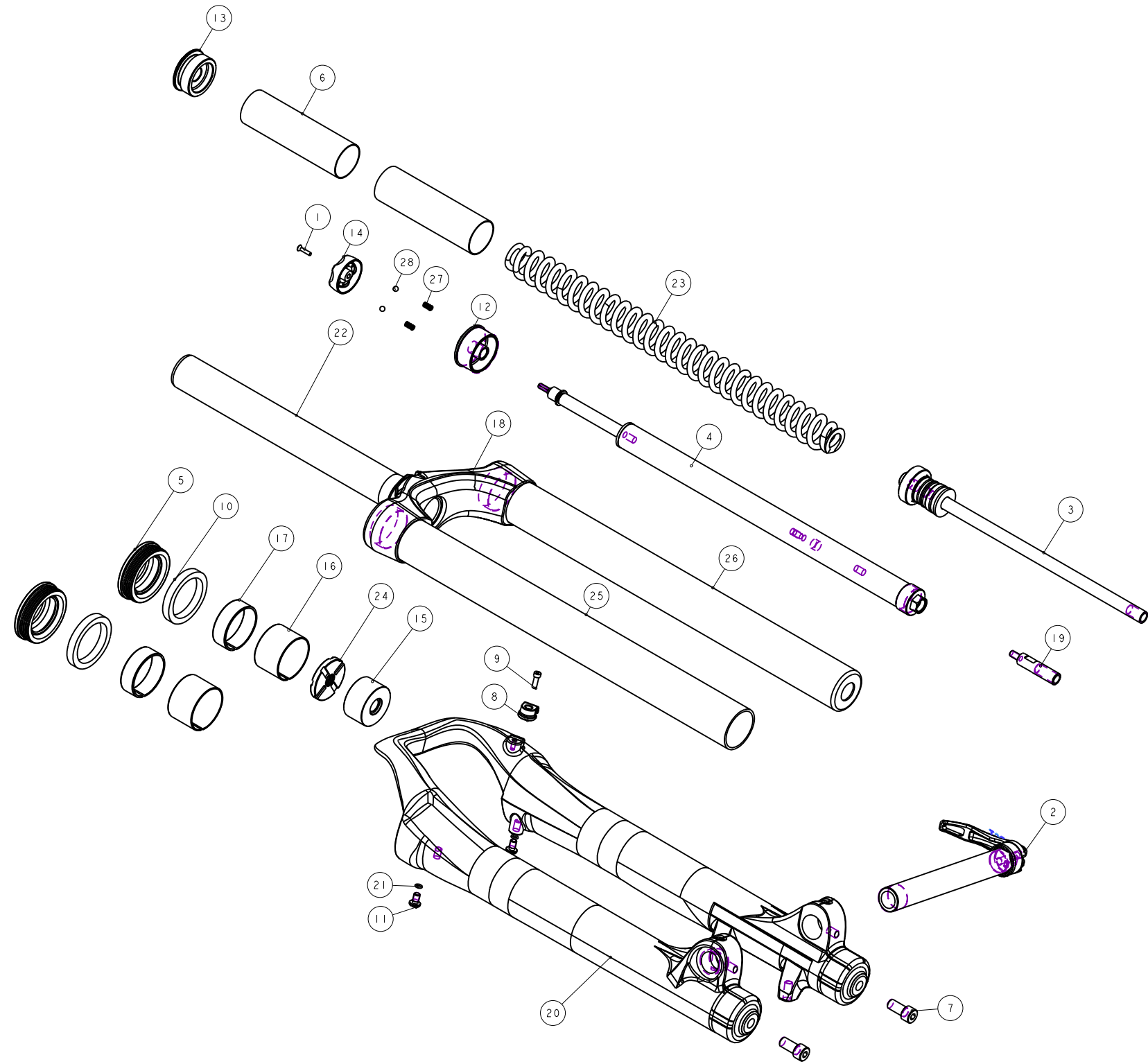


機械加工尺寸一般容許公差						REV.	DATE	DESCRIPTION	CHANGER	CHECK
尺寸	長度	尺寸	孔徑	軸徑	公差	10	Apr '15	MODEL 名更換, 品號變更 PGG163KM- (180mm) PGG163KU- (170mm) PGG163KL- (160mm)	孫博賢	
1 <= 10	±0.2	1 <= 10	+0.2 -0	+0 -0.2						
10.001 <= 100	±0.3	10.001 <= 100	+0.3 -0	+0 -0.3						
100.001 <= 250	±0.5	100.001 <= 250	+0.5 -0	+0 -0.5						
250.001 <= 500	±0.8	250.001 <= 500	+1.0 -0	+0 -1.0						
500 <	±1.3	500 <	+1.5 -1.5	+0 -1.5						



NOTE :
 1. 此圖面共用於STORM全系列
 2. STORM 27.5/26/TA/OR 依下表更換零件

項目	1	2	3	4
成品品號	PGG163KM- (180mm) PGG163KU- (170mm) PGG163KL- (160mm)	PGG161KM- (180mm) PGG161KU- (170mm) PGG161KL- (160mm)	PGG164KM- (180mm) PGG164KU- (170mm) PGG164KL- (160mm)	PGG162KM- (180mm) PGG162KU- (170mm) PGG162KL- (160mm)
內管替換品號	M5GSTEF1380C100 M5GSTEF0380C100	M5GSTEF1365C100 M5GSTEF0365C100	M5GSTEF1380C100 M5GSTEF0380C100	M5GSTEF1365C100 M5GSTEF0365C100
外管替換品號	M5GFRB82-1100	M5GFRB82-1100	M5GFRB82-1000	M5GFRB82-1000
優力膠下座品號	H5GAE0HA240-1 (180mm) H5GAE0HA240-2 (170mm) H5GAE0HA240-3 (160mm)	H5GAE0HA241-1 (180mm) H5GAE0HA241-2 (170mm) H5GAE0HA241-3 (160mm)	H5GAE0HA240-1 (180mm) H5GAE0HA240-2 (170mm) H5GAE0HA240-3 (160mm)	H5GAE0HA241-1 (180mm) H5GAE0HA241-2 (170mm) H5GAE0HA241-3 (160mm)
20軸心品號	H5GACF1206	H5GACF1206	/	/
快拆組品號	/	/	M5FD9-2140-100(左軸套)*1 M5FD9-2141-100(右軸套)*1 M5GAC06010(螺絲)*2	M5FD9-2140-100(左軸套)*1 M5FD9-2141-100(右軸套)*1 M5GAC06010(螺絲)*2
說明	STORM 27.5-TA	STORM 26-TA	STORM 27.5-OR	STORM 26-OR

28	M5K43-2730-000	PART	小鋼珠	Steel ball	2	*4
27	M5K43-2351-000	PART	彈簧	Spring	2	Pitch 0.85
26	M5GSTEF1380C100	PART	STORM內管	stanchion	1	*36X320L
25	M5GSTEF0380C100	PART	STORM內管	stanchion	1	*36X320L
24	M5GSPFB-7005036	PART	緩衝墊	Top-Out Bumper	1	*24X*10.5X6L
23	M5GSPF1340-071	PART	彈簧	Spring	1	066733
22	M5GRTG26000-1	PART	轉向管	STEERER	1	*28.6 260L
21	M5GORF-010-0040	PART	0型環		2	
20	M5GFRB82-1000	PART	b82外管		1	
19	M5GDPFB058	PART	螺絲接桿		1	
18	M5GCR81GFZA2000	PART	鍛造頭管座(噴砂極黑)	Crown	1	
17	M5GBHFafa-U	PART	上襯套	Up Bushing	2	
16	M5GBHFafa-D	PART	下襯套	Lower Bushing	2	
15	M5GAEFJP19	PART	外管座	Bottom-Out Spacer	1	
14	M5GAEAZ034	PART	調整旋轉座	Cap	1	
13	M5GAE9NA335	PART	內管上蓋	Cap	1	066287
12	M5GAE9DZ335	PART	固定座(DA, TNL共用)	anchorage	1	
11	M5GACF0114	PART	阻油螺絲		2	
10	M5GACE0910-36	PART	油包棉		2	
9	M5GAC9-1004	PART	圓頭內六角螺絲	HEX Bolts	1	M3X0.5X10L
8	M5GAC8-0731	PART	鎖式固定夾	Wire Clip	1	For M3x0.5
7	M5GACOM8016	PART	底孔螺絲		2	
6	M5GAC-100-30	PART	彈簧護套	Spring Sheath	2	NBR
5	M5FYX-2611-000	PART	36油封	Oil Seal	2	
4	H5GDP8BD180	ASSEMBLY	RA回彈調整棒	Rebound adjust Cartridge		TBD
3	H5GAE0HA240-1	ASSEMBLY	優力膠下座組		1	
2	H5GACF1206	ASSEMBLY	20軸心快拆		1	
1	I022A-02512C-B	PART	六角承窩螺絲(黑)	HEX BOLT	1	M2.5x0.45
NO	PART NO	TYPE	CHINESE NAME	ENGLISH NAME	QTY	NOTE

Bill of material

MATERIAL	Assembly	Q'TY	MODEL	16'STORM 27.5/26 (180/170/160)		
UNIT	MM	SCALE	0.500	DRAW NO	PGG163KM-	rev. 1.0
FASHING	TREAT			NAME	爆炸圖	
DESIGN	DRAWING	CHECK	CONFIG	APPE	RST	