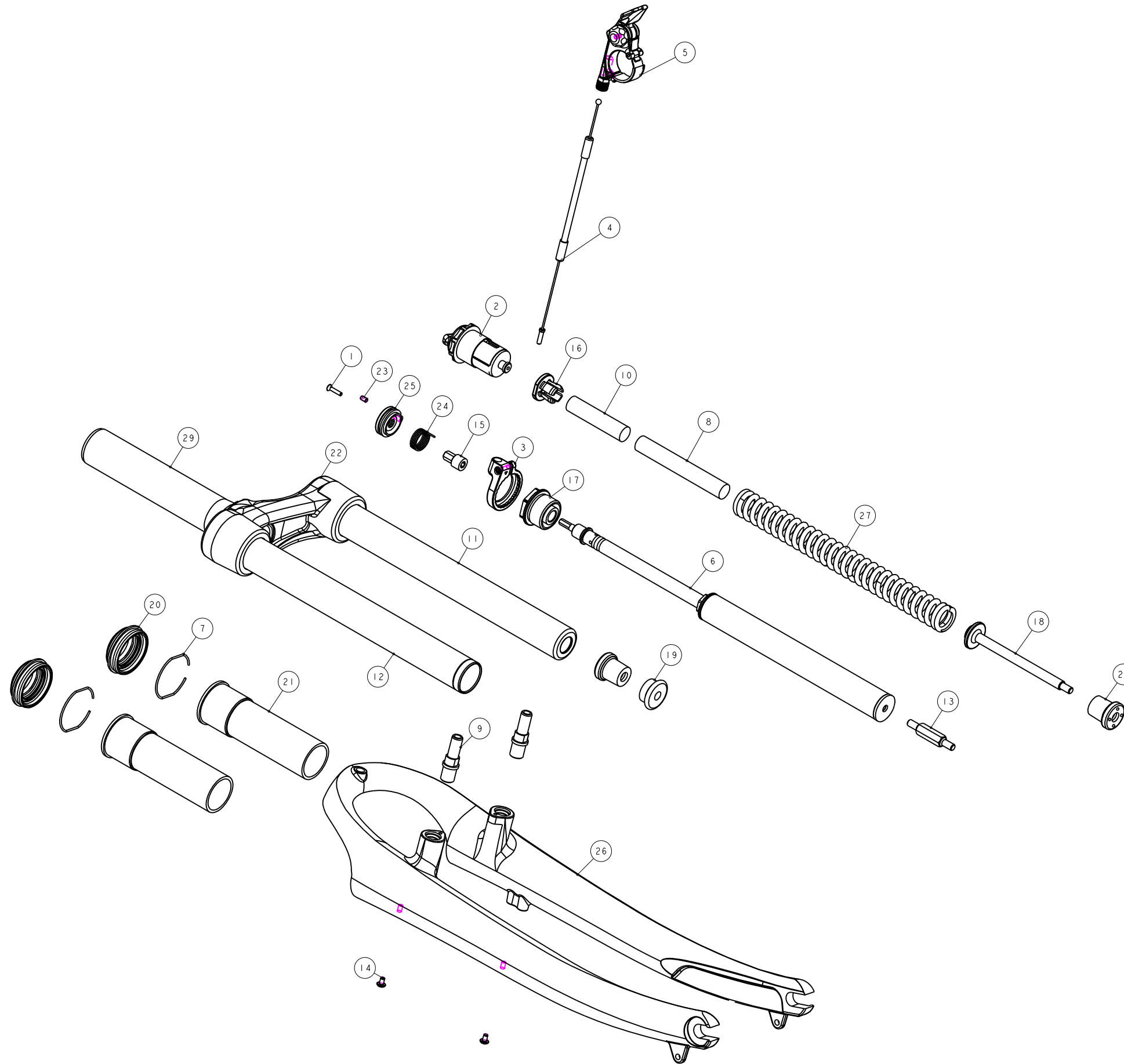


機械加工尺寸一般容許公差					REV.	DATE	DESCRIPTION	CHANGER	CHECK
尺寸	長寬高	尺寸	孔徑	軸徑					
1 < 10	±0.2	1 < 10	+0.2 -0.3	+0 -0.2					
10.001 < 100	±0.3	10.001 < 100	+0.3 -0.4	+0 -0.3					
100.001 < 250	±0.5	100.001 < 250	+0.5 -0.6	+0 -0.5					
250.001 < 500	±0.8	250.001 < 500	+1.0 -1.0	+1.0 -1.0					
500 <	±1.3	500 <	+1.5 -1.5	+1.5 -1.5					



品號第三碼表示年度碼
PGF為2015, PGG為2016, PGH為2017, 以此類推

成品品號	優力膠下座	規格備註
PGX047CA	M5GAEKC085	行程40・總高450
PGX047CB	M5GAEKC095	行程50・總高460

29	MFPV-286-100	PART	轉向管	Sleerer	1	±28.6
28	M5GSPB-420-5	PART	緩衝墊	Top-Out Bumper	2	20L
27	M5GSP83200-140	PART	彈簧	Spring	1	200L
26	M5GFRP91-0000	PART	外管加工		1	100
25	M5GPAK03	PART	線控旋轉鈕	Turn Base	1	8h
24	M5GDP7ARL-020	PART	鈕簧	Corkscrew Coil Spring	1	20h
23	M5GDP7ARL-013	PART	止付螺絲	Grub screw	1	M3X5L
22	M5GCR71DAGA2000	PART	壓簧頂管座	Crown	1	
21	M5GBHDBB9-6	PART	長型膠套		2	109.5L
20	M5GBHCBC2	PART	油封		2	∅35.6X∅35.1X6H
19	M5GAEMB10	PART	外管座	Bottom-owl spacer	1	10L
18	M5GAEKC095	PART	優力膠下座(外牙)	Compression Rod	1	95L
17	M5GAEOD235	PART	TNL固定座	TNL anchorage	1	M23.5x1.0
16	M5GAE-0PB021	PART	彈簧座	Spring Guide	1	
15	M5GACB-0404	PART	導套	Switch Stand	1	14.8L
14	M5GAC01108	PART	導線螺絲	bolt	2	M3X0.5
13	M5FWV-2Y14-023	PART	螺絲接桿	Shank	1	2-M5X0.8
12	M5FWV-2881-000	PART	內管(研磨, 電鍍)	Stanchion	1	245L
11	M5FTH-2880-000	PART	內管	Stanchion	1	∅25.4X245L
10	M5FQ9-2310-000	PART	定距橡皮	Top-Out Bumper	1	∅12X52L H540H
9	M5FKD-2723-000	PART	煞車軸	pivot	2	M10X1.25
8	M5FKA-2311-000	PART	定距橡皮	Top-Out Bumper	1	∅12X82L H540H
7	M5FA1-2Y71-000	PART	C形扣環		2	∅37X∅1.2
6	H5GDPFBK12	ASSEMBLY	5' TNL 鎖死棒(雙線牙膠)	5' TNL lock-out Cartridge	1	ØM120
5	H5GDPDR3	ASSEMBLY	TRL 撥桿組(鋅合金)	Tiny Remote Lockout	1	
4	H5GDPCARL3-1	ASSEMBLY	12' RL 煞車線外線組	Remote Outline Assembly	1	
3	H5GDPBARL6	ASSEMBLY	08' RL 扣環組(高級)	Remote Outline Base	1	
2	H5FNA-2162-100	ASSEMBLY	調整座組 2006	Adjuster Assembly	1	M23.5x1.0
1	1022A-02512C-B	PART	六角承窩螺絲(黑)	HEX BOLT	1	M2.5x0.45

Bill of material

MATERIAL	Assembly	QTY	1	MODEL	SOF1 RL 700C (40/50)	
UNIT	MM	SCALE	0.650	DRAW NO	PGX047CB	rev. 1.0
FASHING	TREAT			NAME	爆炸圖	
DESIGN	DRAWING	CHECK	CONFIG	APPE	RST	