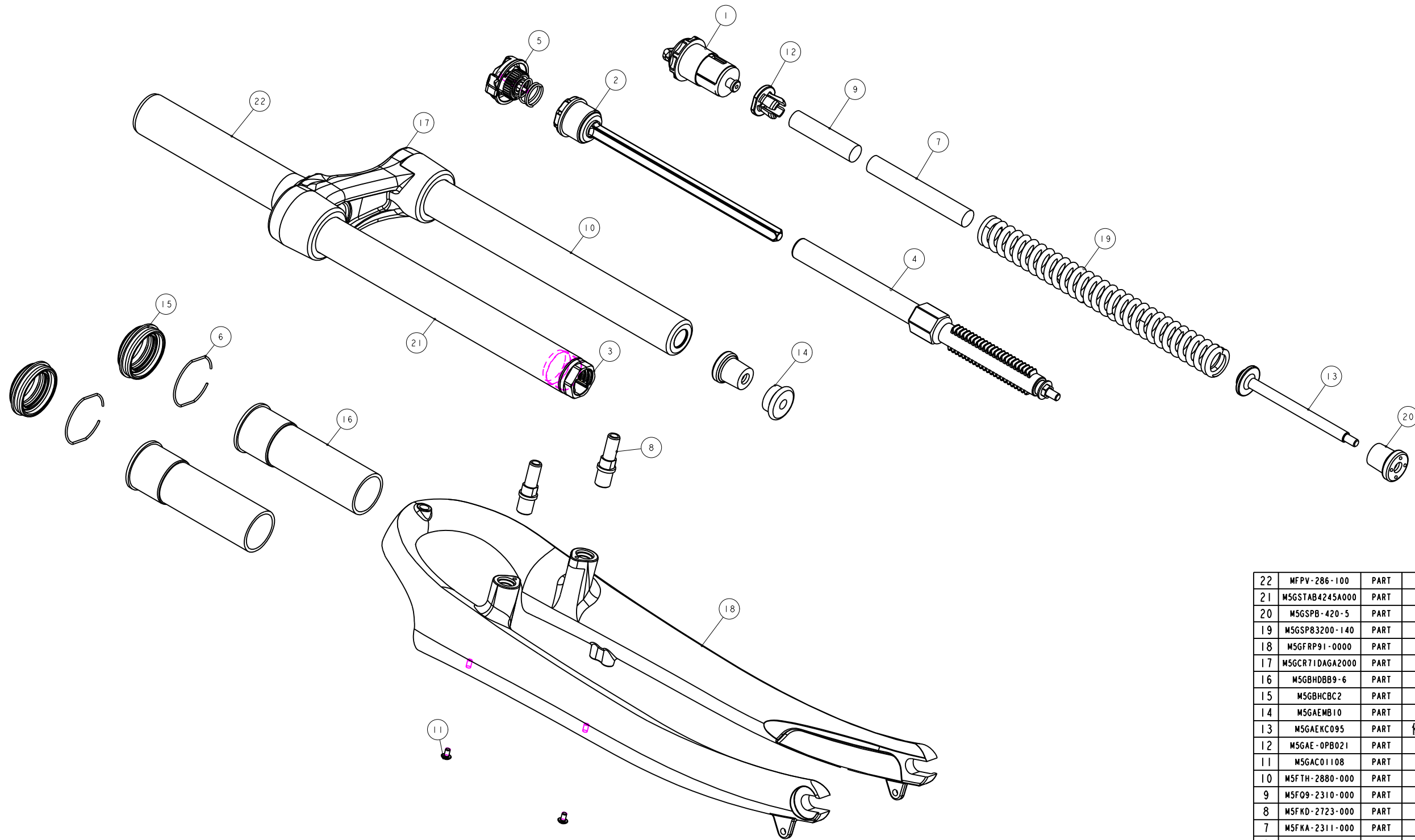


機械加工尺寸一般容許公差					REV.	DATE	DESCRIPTION	CHANGER	CHECK
尺寸	長寬高	尺寸	孔徑	軸徑					
1 < 10	±0.2	1 < 10	+0.2 -0.2	+0.2 -0.2					
10.001 < 100	±0.3	10.001 < 100	+0.3 -0.3	+0.3 -0.3					
100.001 < 250	±0.5	100.001 < 250	+0.5 -0.5	+0.5 -0.5					
250.001 < 500	±0.8	250.001 < 500	+1.0 -1.0	+1.0 -1.0					
500 <	±1.3	500 <	+1.5 -1.5	+1.5 -1.5					



NO	PART NO	TYPE	CHINESE NAME	ENGLISH NAME	QTY	NOTE
22	MFPV-286-100	PART	轉向管	Steerer	1	ø28.6
21	M5GSTAB4245A000	PART	內管	Stanchion	1	245L
20	M5GSPB-420-5	PART	緩衝墊	Top-Out Bumper	2	20L
19	M5GSP83200-140	PART	彈簧	Spring	1	200L
18	M5GFRP91-0000	PART	外管加工		1	180
17	M5GCR71DAGA2000	PART	壓鑄管座	Crown	1	
16	M5GBHDBB9-6	PART	長變膠襯套		2	109.5L
15	M5GBHBC2	PART	油封		2	ø35.6xø35.116H
14	M5GAEMB10	PART	外管座	Bottom-out spacer	1	10L
13	M5GAEC095	PART	優力膠下座(外牙)	Compression Rod	1	95L
12	M5GAE-0PB021	PART	彈簧座	Spring Guide	1	
11	M5GAC01108	PART	導線螺絲	bolt	2	M3x0.5
10	M5FTH-2880-000	PART	內管	Stanchion	1	ø25.4x245L
9	M5FQ9-2310-000	PART	定距橡皮	Top-Out Bumper	1	ø12x52L Hs400
8	M5FKD-2723-000	PART	煞車軸	pivot	2	M10x1.25
7	M5FKA-2311-000	PART	定距橡皮	Top-Out Bumper	1	ø12x82L Hs400
6	M5FAI-2Y71-000	PART	C形扣環		2	ø31xø1.2
5	H5GMLC-007-254	ASSEMBLY	旋鈕蓋組	Cap Assembly	1	
4	H5GML-005-04	ASSEMBLY	齒輪棒組(含外管座)	Hypoid Assembly	1	
3	H5GML-003-5	ASSEMBLY	鎖死內管下座組	LOCK OUT	1	
2	H5GML-002-5	ASSEMBLY	調整棒組(ø25.4)	Fixed Guide Assembly	1	
1	H5FNA-2162-100	ASSEMBLY	調整座組 2006	Adjuster Assembly	1	M23.5x1.0

Bill of material

MATERIAL	Assembly	QTY	1	MODEL	SOF1 ML 700C (40/50)
UNIT	MM	SCALE	0.750	DRAW NO	PGX047DB rev. 1.0
FASHING	TREAT			NAME	爆炸圖
DESIGN	DRAWING	CHECK	CONFIG	APPE	RST

品號第三碼表示年度碼
PGF為2015, PGG為2016, PGH為2017, 以此類推

成品品號	優力膠下座	規格備註
PGX047DA	M5GAEC085	行程40·總高450
PGX047DB	M5GAEC095	行程50·總高460