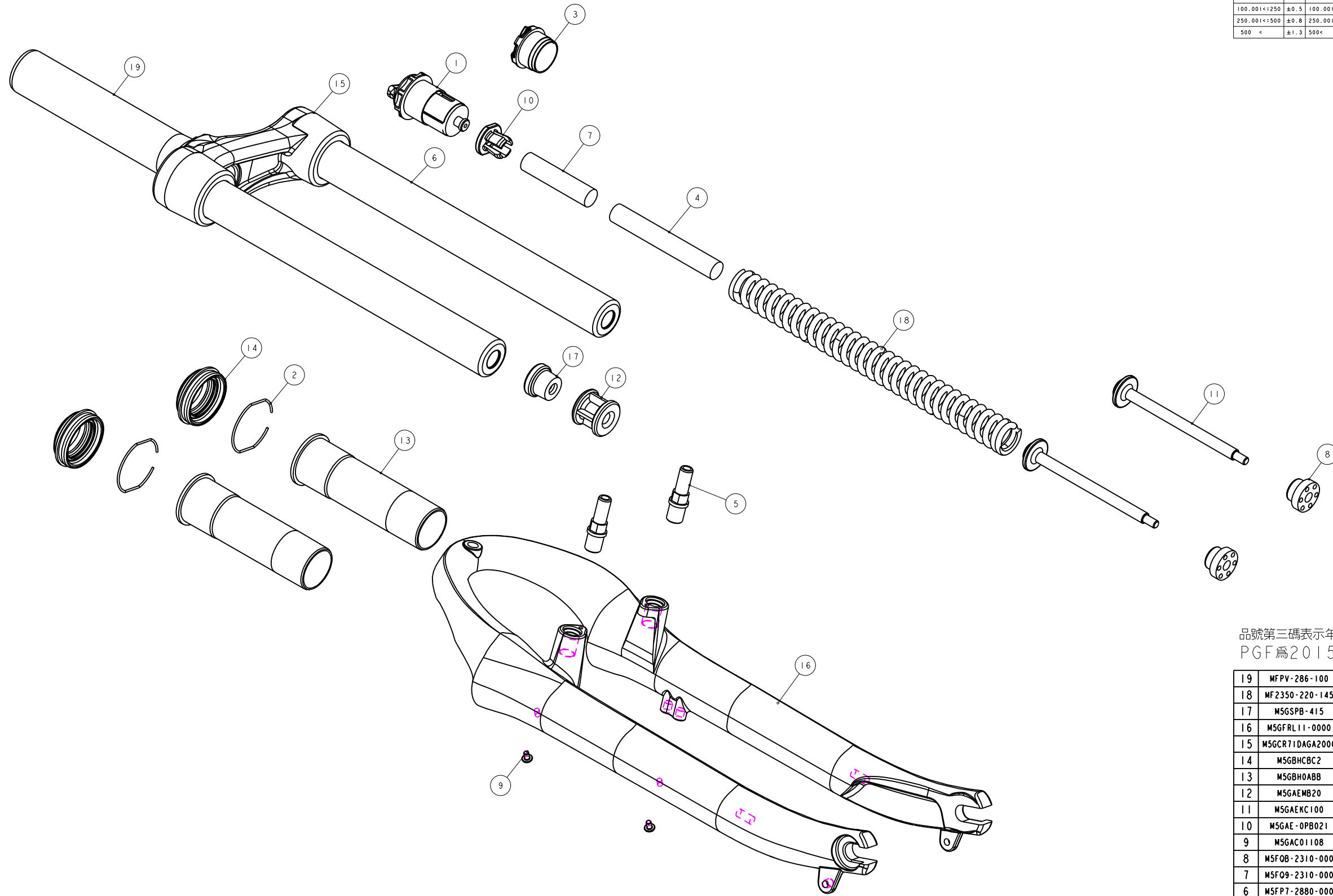


機械加工尺寸一般容許公差					REV.	DATE	DESCRIPTION	CHANGER	CHECK
尺寸	長寬高	尺寸	孔徑	軸徑					
1 < 10	±0.2	1 < 10	+0.2 -0.2	+0.2 -0.2					
10.001 < 100	±0.3	10.001 < 100	+0.3 -0.3	+0.3 -0.3					
100.001 < 250	±0.5	100.001 < 250	+0.5 -0.5	+0.5 -0.5					
250.001 < 500	±0.8	250.001 < 500	+1.0 -1.0	+1.0 -1.0					
500 <	±1.3	500 <	+1.5 -1.5	+1.5 -1.5					



品號第三碼表示年度碼  
PGF為2015, PGG為2016, PGH為2017, 以此類推

NO	PART NO	TYPE	CHINESE NAME	ENGLISH NAME	QTY	NOTE
19	MFPV-286-100	PART	轉向管	Steerer	1	±28.6
18	MF2350-220-145	PART	彈簧	Spring	1	220L
17	M5GSPB-415	PART	緩衝墊	Top-Out Bumper	1	15L
16	M5GFL11-0000	PART	外管加工	Outer	1	TBD
15	M5GCR71DAGA2000	PART	壓鑄頭管座	Crown	1	
14	M5GBHCBC2	PART	油封		2	∅35.6x∅35.1x6H
13	M5GBH0ABB	PART	長型膠圈套		2	100L
12	M5GAEMB20	PART	外管座	Bottom-Out spacer	1	20L
11	M5GAEC100	PART	優力膠下座(外牙)	Compression Rod	2	100L
10	M5GAE-0PB021	PART	彈簧座	Spring Guide	1	
9	M5GAC01108	PART	導線螺絲	bolt	2	M3X0.5
8	M5FOB-2310-000	PART	緩衝墊	Top-Out Bumper	2	
7	M5FQ9-2310-000	PART	定距橡皮	Top-Out Bumper	1	∅12X52L Hs400H
6	M5FP7-2880-000	PART	內管	Stanchion	2	∅25.4X260L
5	M5FKD-2723-000	PART	煞車軸	pivot	2	M10X1.25
4	M5FKA-2311-000	PART	定距橡皮	Top-Out Bumper	1	∅12X82L Hs400H
3	M5FH2-2340-000	PART	防塵蓋	Dust cap	1	PVC
2	M5FA1-2Y71-000	PART	C形扣環		2	∅37X∅1.2
1	M5FNA-2162-100	ASSEMBLY	調整螺絲 2006	Adjuster Assembly	1	M23.5x1.0

Bill of material

MATERIAL	Assembly	QTY	1	MODEL	SOF1 26"-T(50)	
UNIT	MM	SCALE	0.800	DRAW NO	PGX048AB	rev. 1.0
FASHING		TREAT		DESIGN	RST	
NAME	爆炸圖					