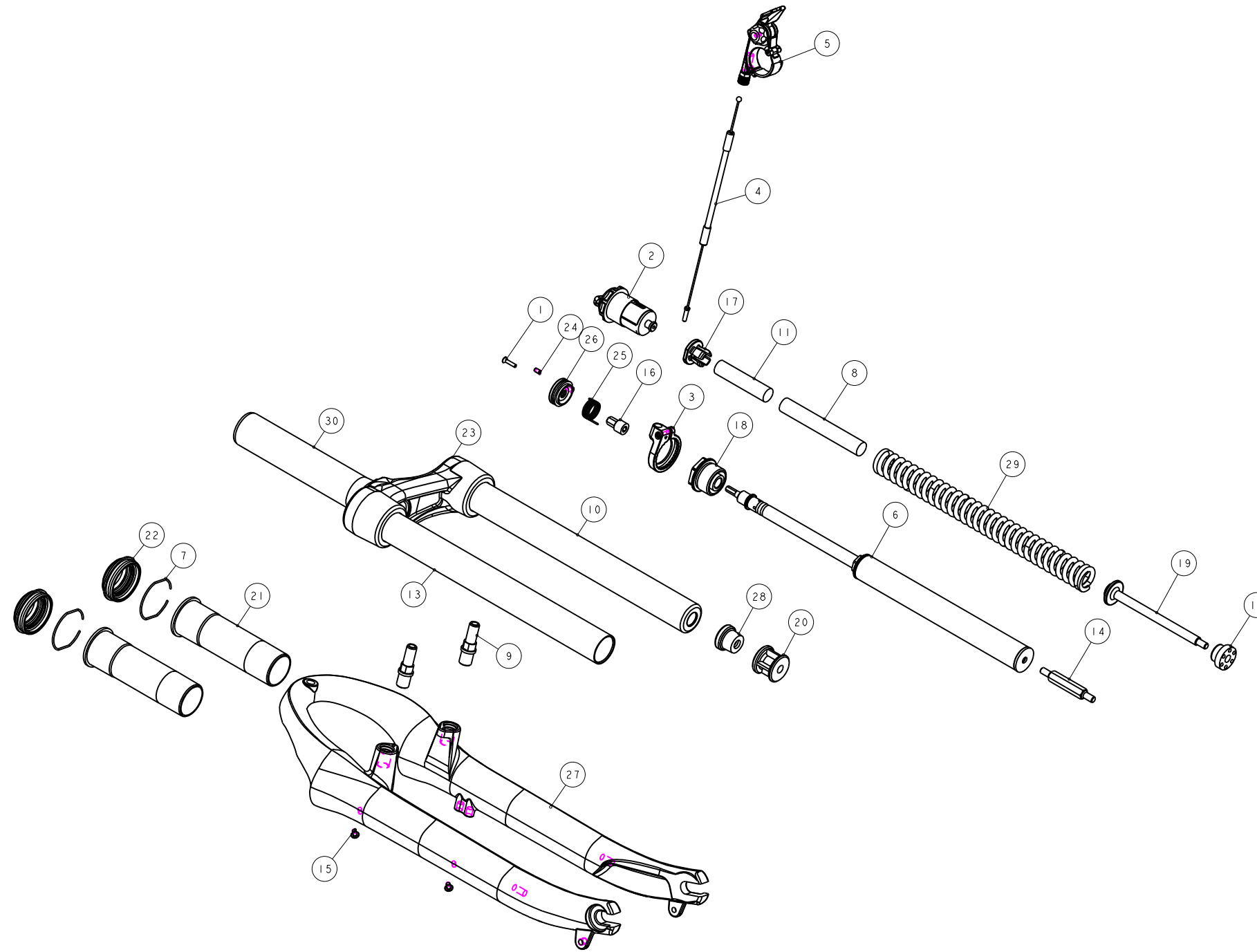


機械加工尺寸一般容許公差					REV.	DATE	DESCRIPTION	CHANGER	CHECK
尺寸	長寬高	尺寸	孔徑	軸徑					
1 < 10	±0.2	1 < 10	+0.2 -0.3	+0 -0.2					
10.001 < 100	±0.3	10.001 < 100	+0.3 -0.4	+0 -0.3					
100.001 < 250	±0.5	100.001 < 250	+0.5 -0.6	+0 -0.5					
250.001 < 500	±0.8	250.001 < 500	+1.0 -1.0	+1.0 -1.0					
500 <	±1.3	500 <	+1.5 -1.5	+1.5 -1.5					



品號第三碼表示年度碼
PGF為2015, PGG為2016, PGH為2017, 以此類推

NO	PART NO	TYPE	CHINESE NAME	ENGLISH NAME	QTY	NOTE
30	MFPV-286-100	PART	轉向管	Sleerer	1	ø28.6
29	MF2350-220-145	PART	彈簧	Spring	1	220L
28	MSGSPB-415	PART	緩衝墊	Top-Out Bumper	1	15L
27	M5GFRL11-0000	PART	外管加工	Ouler	1	100
26	M5GDPAK03	PART	線控旋轉鈕	Turn Base	1	8H
25	M5GDP7ARL-020	PART	鈕簧	Corkscrew Coil Spring	1	20H
24	M5GDP7ARL-013	PART	止付螺絲	Grub screw	1	M3X5L
23	M5GCR71DAGA2000	PART	壓頂管座	Crown	1	
22	M5GBHBC2	PART	油封		2	ø 35.4Xø 35.116H
21	M5GBHOABB	PART	長塑膠襯套		2	100L
20	M5GAEMB20	PART	外管座	Bottom-Out spacer	1	20L
19	M5GAEC100	PART	壓力膠下座(外牙)	Compression Rod	1	100L
18	M5GAE00A235	PART	TNL固定座	TNL anchorage	1	M23.5x1.0
17	M5GAE-0PB021	PART	彈簧座	Spring Guide	1	
16	M5GACB-0404	PART	導套	Switch Stand	1	14.8L
15	M5GCO1108	PART	導線螺絲	bolt	2	M3X0.5
14	M5FUE-2Y14-035	PART	螺絲桿	Shank	1	2-M5X0.8
13	M5FUE-2881-000	PART	內管(研磨,電鍍)	Stanchion	1	260L
12	M5FQB-2310-000	PART	緩衝墊	Top-Out Bumper	1	
11	M5FQ9-2310-000	PART	定距橡皮	Top-Out Bumper	1	ø12X52L Hs40H
10	M5FP7-2880-000	PART	內管	Stanchion	1	ø25.4X260L
9	M5FKD-2723-000	PART	煞車軸	pivot	2	M10X1.25
8	M5FKA-2311-000	PART	定距橡皮	Top-Out Bumper	1	ø12X82L Hs40H
7	M5FA1-2Y71-000	PART	C形扣環		2	ø 37Xø 1.2
6	H5GDPFBK12	ASSEMBLY	5' TNL 鎖死棒(雙線牙膠)	5' TNL lock-out Cartridge	1	øM120
5	H5GDPDAR3	ASSEMBLY	TRL 撥桿組(鋅合金)	Tiny Remote Lockout	1	
4	H5GDPCARL3-1	ASSEMBLY	12' RL 煞車線外線組	Remote Outline Assembly	1	
3	H5GDPBARL6	ASSEMBLY	08' RL 扣環組(高級)	Remote Outline Base	1	
2	H5FNA-2162-100	ASSEMBLY	調整座組 2006	Adjuster Assembly	1	M23.5x1.0
1	1022A-02512C-B	PART	六角承窩螺絲(黑)	HEX BOLT	1	M2.5x0.45

Bill of material

MATERIAL	Assembly	QTY	1	MODEL	SOF1 26"-RL(50)	
UNIT	MM	SCALE	0.500	DRAW NO	PGX048CB	rev. 1.0
FASHING		TREAT		NAME	爆炸圖	
DESIGN	DRAWING	CHECK	CONFIG	APPE	RST	