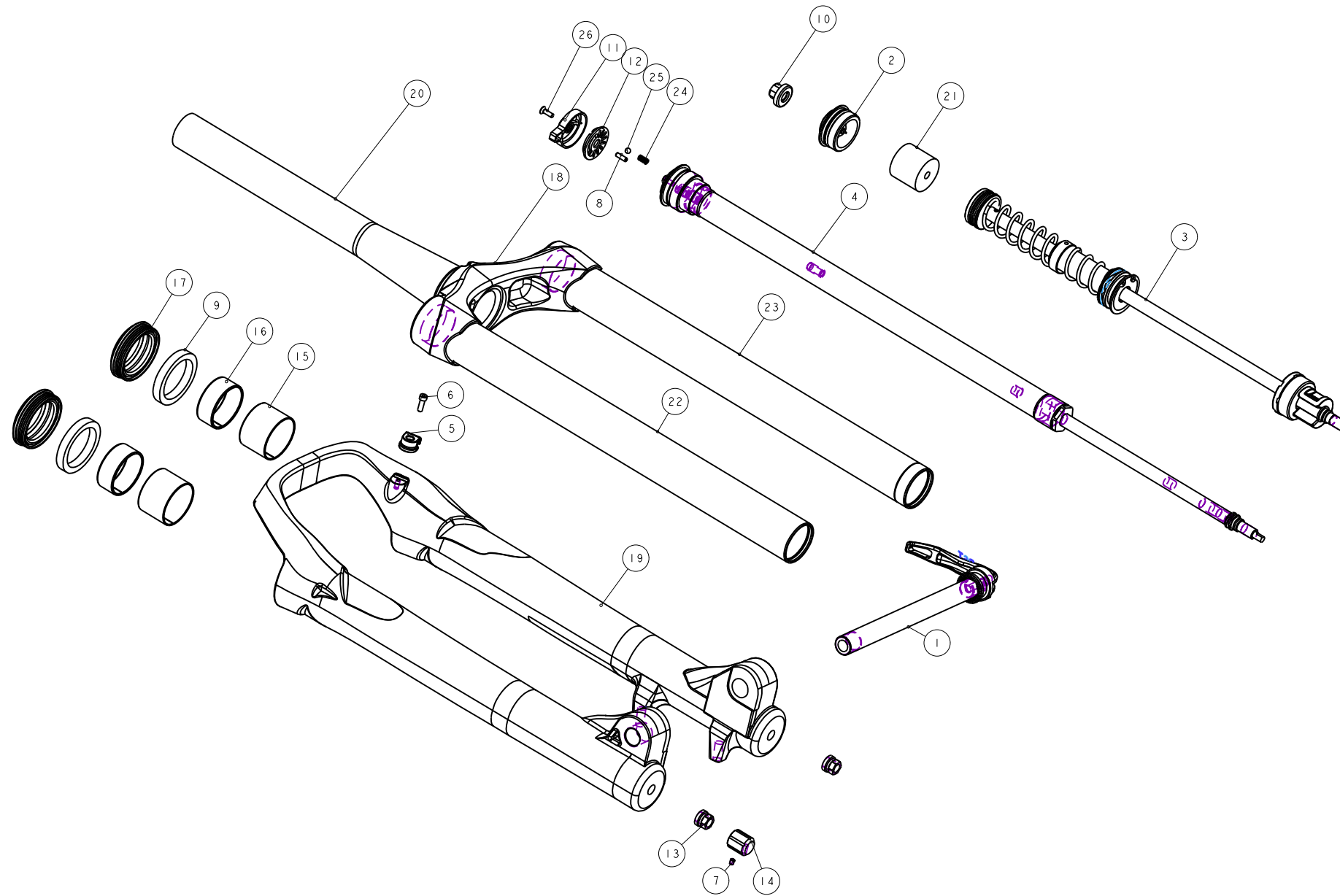


機械加工尺寸一般容許公差					REV.	DATE	DESCRIPTION	CHANGER	CHECK
尺寸	長度	尺寸	孔徑	軸徑					
1 <= 10	±0.2	1 <= 10	+0.2 -0.2	+0.2 -0.2					
10.001 <= 100	±0.3	10.001 <= 100	+0.3 -0.3	+0.3 -0.3					
100.001 <= 250	±0.5	100.001 <= 250	+0.5 -0.5	+0.5 -0.5					
250.001 <= 500	±0.8	250.001 <= 500	+1.0 -1.0	+1.0 -1.0					
500 <	±1.3	500 <	+1.5 -1.5	+1.5 -1.5					



成品品號	PGGI43FL-	PGGI43FK-	PGGI43FJ-	PGGI43FH-	PGGI43FG-
優力膠下座組	H5GAEGHA329-1	H5GAEGHA329-2	H5GAEGHA329-3	H5GAEGHA329-4	H5GAEGHA329-5
行程	160	150	140	130	120
說明	ROGUE 27.5+ AIR				

26	M5R22-2Y11-100	PART	螺絲小螺絲	bolt	1	M3X0.5
25	M5K43-2730-000	PART	小鋼珠	Steel ball	1	φ4
24	M5K43-2351-000	PART	彈簧	Spring	1	Pitch 0.85
23	M5GST2JE365H100	PART	34段內管_氣邊	stanchion	1	
22	M5GST2JA365H000	PART	34段內管_油邊	stanchion	1	
21	M5GSPEC-72825	PART	發泡膠力膠		1	
20	M5GRAP29800	PART	轉向管		1	
19	M5GFRG12-1000	PART	G12外管		1	
18	M5GCRG-MEZA3000	PART	P150 34 1.5寸鋼管		1	
17	M5GBHECKC1	ASSEMBLY	油封		2	
16	M5GBHEBLA-U	PART	34上襯套	Bush_u	2	
15	M5GBHEBLA-D	PART	34下襯套	Bush_u	2	
14	M5GAEAA013	PART	OCRC+回彈調整鈕		1	
13	M5GAEDLA104	PART	底孔固定螺帽		2	
12	M5GAECSS274	PART	鎖死調整墊片	shim	1	073059-01
11	M5GAEBTN38-1	PART	鎖死調整螺	OCR KNOBS	1	073060
10	M5GAE9DA183	PART	氣筒蓋	Air Cap	1	TBD
9	M5GACE0910-34	PART	油泡綿		2	
8	M5GACCI109-01	PART	定位銷		1	3.5x9.5
7	M5GACC0930-01	PART	止付螺絲	Grub screw	1	M3X4L
6	M5GAC9-1004	PART	圓筒六角螺絲	HEX Bolts	1	M3X0.5X10L
5	M5GAC8-0731	PART	鎖式固定夾	Wire Clip	1	For M3x0.5
4	H5GDPEBE326-X	ASSEMBLY	OCRC+		1	
3	H5GAEGHA329-1	ASSEMBLY	優力膠下座組		1	
2	H5GAENA031	ASSEMBLY	氣筒螺絲		1	
1	H5GACE1208	ASSEMBLY	15 軸心(P150)		1	
NO	PART NO	TYPE	CHINESE NAME	ENGLISH NAME	QTY	NOTE

### Bill of material

MATERIAL	ASSEMBLY	Q'TY	1	MODEL	16" ROGUE 27.5+ AIR(120/130/140/150/160)
UNIT	MM	SCALE	0.500	DRAW NO	PGGI43FL- rev. 1.0
FASHING		TREAT		NAME	爆炸圖
DESIGN	DRAWING	CHECK	CONFIG	APPE	RST