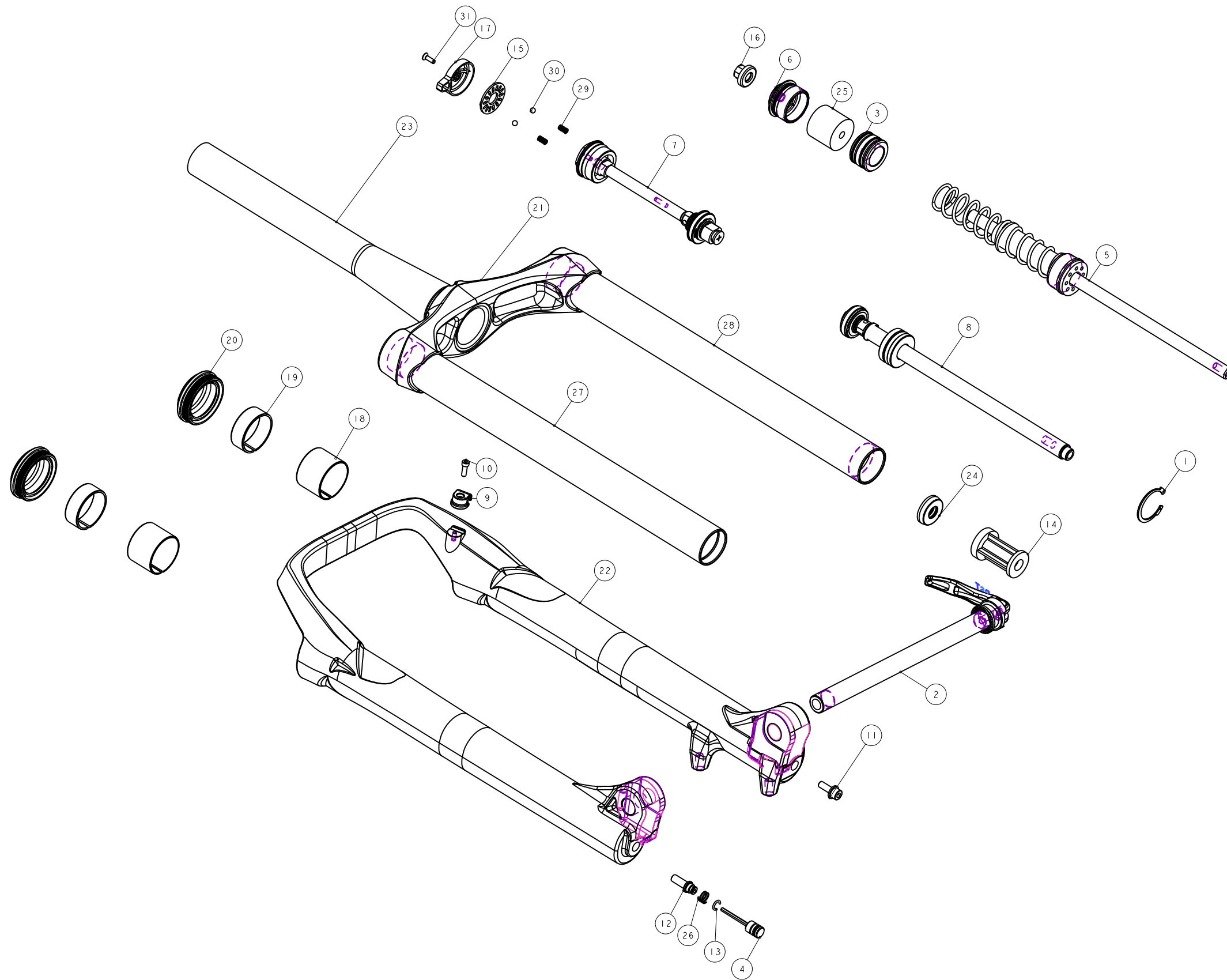


機械加工尺寸一般容許公差					REV.	DATE	DESCRIPTION	CHANGER	CHECK
尺寸	長度	尺寸	孔徑	軸徑					
1 <= 10	±0.2	1 <= 10	+0.2 -0.2	+0.2 -0.2					
10.001 <= 100	±0.3	10.001 <= 100	+0.3 -0.3	+0.3 -0.3					
100.001 <= 250	±0.5	100.001 <= 250	+0.5 -0.5	+0.5 -0.5					
250.001 <= 500	±0.8	250.001 <= 500	+1.0 -1.0	+1.0 -1.0					
500 <	±1.3	500 <	+1.5 -1.5	+1.5 -1.5					



成品品號	PGG116FG	PGG116FF	PGG116FE
優力膠下座組	H5GAEGJA285-1	H5GAEGJA285-2	H5GAEGJA285-3
行程	120	100	80
說明	RENEGADE AIR		

31	M5R22-2Y11-100	PART	埋頭小螺絲	bolt	1	M3X0.5
30	M5K43-2730-000	PART	小鋼珠	Steel ball	2	#4
29	M5K43-2351-000	PART	彈簧	Spring	2	Pitch 0.85
28	M5GST2EE345H000	PART	32內管	Stanchion	1	345L
27	M5GST2EA345H000	PART	32內管	stanchion	1	345L
26	M5GSPG0427	PART	彈簧		1	
25	M5GSPB-72825	PART	發泡優力膠		1	
24	M5GSPB-5006-2	PART	緩衝墊	Top-Out Bumper	1	#24X#10.5X6L
23	M5GRTAP29801	PART	轉向管		1	
22	M5GFRED7-1000	PART	ed 7外管加工		1	
21	M5GCRF-KDZA3000	PART	P190 32 1.5寸環管性		1	
20	M5GBH8CEC1	ASSEMBLY	油封		2	TBD
19	M5GBH8AEF-U	PART	上襯套	Up Bushing	2	
18	M5GBH8AEF-D	PART	下襯套	Lower Bushing	2	
17	M5GAEBTN38	PART	鎖死調整座	OCR KNOBS	1	073060
16	M5GAE9DA183	PART	氣阻蓋	Air Cap	1	TBD
15	M5GAE9CS27-1	PART	OCR鎖死調整座墊片	shim	1	073059-01
14	M5GAE0JB027-40	PART	外管徑	Bottom-out spacer	1	40(38)L
13	M5GACG0427	PART	C扣		1	
12	M5GACE0106-01	PART	回彈調整螺絲		1	
11	M5GACC0617-01	PART	圓頭內六角螺絲	bolt	1	M5X15L
10	M5GAC9-1004	PART	圓頭內六角螺絲	HEX Bolts	1	M3X0.5X10L
9	M5GAC8-0731	PART	鎖式固定夾	Wire Clip	1	For M3x0.5
8	H5GDPGAD15	ASSEMBLY	活塞桿組	Hydraulic Damping Assembly	1	
7	H5GDPEAK30B	ASSEMBLY	鎖死桿組	lock-out Assembly	1	
6	H5GDPECC245	ASSEMBLY	輕量氣阻桿組		1	
5	H5GAEGJA285-1	ASSEMBLY	優力膠下座組	Compression Rod Assembly	1	
4	H5GAEBA019	ASSEMBLY	回彈調整螺		1	
3	H5GAEOLP32	ASSEMBLY	活塞組	Air Piston	1	
2	H5GACE1207	ASSEMBLY	15軸心(P190)		1	
1	3052D-30000	PART	孔用中心止輪	C-Clip	1	IR30
NO	PART NO	TYPE	CHINESE NAME	ENGLISH NAME	QTY	NOTE

**Bill of material**

MATERIAL	Assembly	Q'TY	1	MODEL	16'RENEGADE AIR(120/100/80)		
UNIT	MM	SCALE	0.600	DRAW NO	PGG116FG	rev.	1.0
FASHING	TREAT			NAME	爆炸圖		
DESIGN	DRAWING	CHECK	CONFIG	APPE	RST		