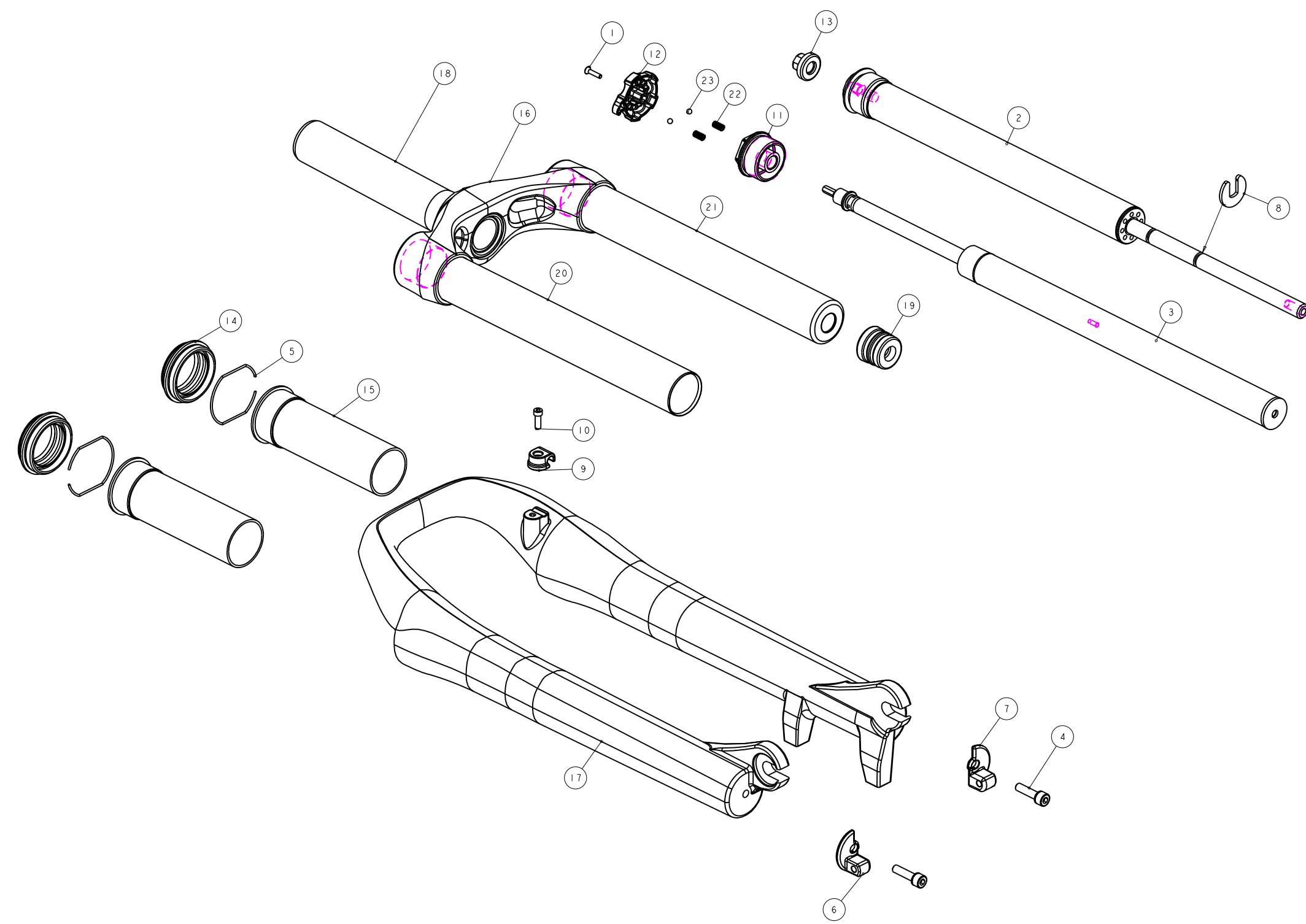


| 機械加工尺寸一般容許公差   |      |                |              |              | REV. | DATE | DESCRIPTION | CHANGER | CHECK |
|----------------|------|----------------|--------------|--------------|------|------|-------------|---------|-------|
| 尺寸             | 長寬高  | 尺寸             | 孔徑           | 軸徑           |      |      |             |         |       |
| 1 <= 10        | ±0.2 | 1 <= 10        | +0.2<br>-0.2 | +0.2<br>-0.2 |      |      |             |         |       |
| 10.001 <= 100  | ±0.3 | 10.001 <= 100  | +0.3<br>-0.3 | +0.3<br>-0.3 |      |      |             |         |       |
| 100.001 <= 250 | ±0.5 | 100.001 <= 250 | +0.5<br>-0.5 | +0.5<br>-0.5 |      |      |             |         |       |
| 250.001 <= 500 | ±0.8 | 250.001 <= 500 | +1.0<br>-1.0 | +1.0<br>-1.0 |      |      |             |         |       |
| 500 <          | ±1.3 | 500 <          | +1.5<br>-1.5 | +1.5<br>-1.5 |      |      |             |         |       |



|    |                 |          |                    |                           |     |              |
|----|-----------------|----------|--------------------|---------------------------|-----|--------------|
| 23 | M5K43-2730-000  | PART     | 小鋼珠                | Steel ball                | 2   | *4           |
| 22 | M5K43-2351-000  | PART     | 彈簧                 | Spring                    | 2   | Pitch 0.85   |
| 21 | M5GSTAD1245C000 | PART     | 內管                 | Stanchion                 | 1   |              |
| 20 | M5GSTAD0245C000 | PART     | 內管                 | Stanchion                 | 1   |              |
| 19 | M5GSPB-401-5    | PART     | 緩衝墊                | Top-Out Bumper            | 1   | φ24X20LX50mm |
| 18 | M5GRTBA260      | ASSEMBLY | 轉向管                | Steerer                   | 1   |              |
| 17 | M5GFRED1-1000   | PART     | BLAZE 650B 無軸外管    | RAXXON Coasting           | 1   | PI30 φ32     |
| 16 | M5GCRC-FCGA2100 | PART     | BLAZE 650B 噴管性     | Crown                     | 1   |              |
| 15 | M5GBHEDB1-1     | PART     | 長型噴管套              | Bush                      | 2   | 120          |
| 14 | M5GBH8C2        | ASSEMBLY | 油封                 | oil seal                  | 2   | φ30內管        |
| 13 | M5GAE9DA183     | PART     | 氣壓蓋                | Air Cap                   | 1   | TBD          |
| 12 | M5GAE8TZ-2      | PART     | 鎖死旋鈕               | Lock out adjust cap       | 1   |              |
| 11 | M5GAE0DA275     | PART     | DT固定座 (DA, TNL 共用) | DT anchorage              | 1   | M27.5x1.0    |
| 10 | M5GAC9-1004     | PART     | 圓筒內六角螺絲            | HEX Bolts                 | 1   | M3X0.5X10L   |
| 9  | M5GAC8-0731     | PART     | 鎖式固定夾              | Wire Clip                 | 1   | For M3x0.5   |
| 8  | M5GAC8-001      | PART     | 下座墊片               |                           | 1   | 040968       |
| 7  | M5GAC1203-106   | PART     | 土除支架片 (右)          |                           | 1   |              |
| 6  | M5GAC1203-105   | PART     | 土除支架片 (左)          |                           | 1   |              |
| 5  | M5FHJ-2Y70-100  | PART     | C型扣環               | CTW                       | 2   | φ41.9xφ3x36  |
| 4  | M5FA9-2Y11-100  | PART     | 圓筒內六角螺絲            | ball                      | 2   | M5X0.8       |
| 3  | H5GDPFBK14      | ASSEMBLY | 5' TNL 鎖死棒 (雙線牙版)  | Travel lock-out Cartridge | 1   |              |
| 2  | H5GDPEDC226-5   | ASSEMBLY | 氣壓棒                | AIR CARTRIDGE             | 1   |              |
| 1  | 1022A-02512C-B  | PART     | 六角承座螺絲 (黑)         | HEX BOLT                  | 1   | M2.5x0.45    |
| NO | PART NO         | TYPE     | CHINESE NAME       | ENGLISH NAME              | QTY | NOTE         |

| Bill of material |          |       |        |         |                         |          |
|------------------|----------|-------|--------|---------|-------------------------|----------|
| MATERIAL         | ASSEMBLY | Q'TY  | 1      | MODEL   | PULSE AIR 27.5 TNL (50) |          |
| UNIT             | MM       | SCALE | 0.700  | DRAW NO | PGF0798B                | rev. 1.0 |
| FASHING          |          | TREAT |        | NAME    | 爆炸圖                     |          |
| DESIGN           | DRAWING  | CHECK | CONFIG | APPE    | RST                     |          |