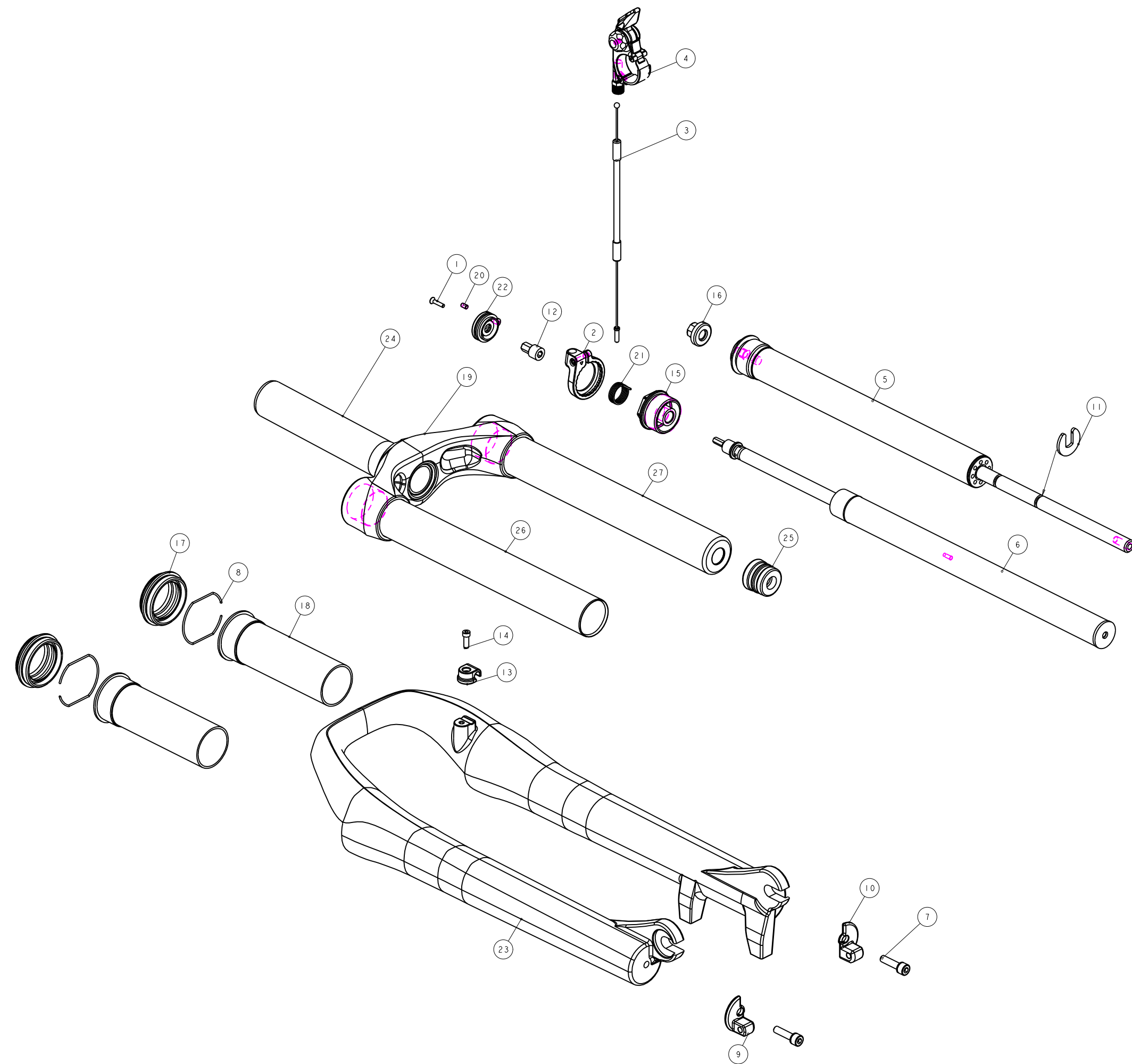


機械加工尺寸一般容許公差					REV.	DATE	DESCRIPTION	CHANGER	CHECK
尺寸	長寬高	尺寸	孔徑	軸徑					
1 <= 10	±0.2	1 <= 10	+0.2 -0.2	+0.2 -0.2					
10.001 <= 100	±0.3	10.001 <= 100	+0.3 -0.3	+0.3 -0.3					
100.001 <= 250	±0.5	100.001 <= 250	+0.5 -0.5	+0.5 -0.5					
250.001 <= 500	±0.8	250.001 <= 500	+1.0 -1.0	+1.0 -1.0					
500 <	±1.3	500 <	+1.5 -1.5	+1.5 -1.5					



NO	PART NO	TYPE	CHINESE NAME	ENGLISH NAME	QTY	NOTE
27	M5GSTAD1245C000	PART	內管	Stanchion	1	
26	M5GSTAD0245C000	PART	內管	Stanchion	1	
25	M5GSPB-401-5	PART	緩衝墊	Top-Out Bumper	1	*24X20LX50MM
24	M5GRTBA260	ASSEMBLY	轉向管	Sleerer	1	
23	M5GFRED1-1000	PART	BLAZE 650B無軸外管	RAXXON Coasting	1	P130 *32
22	M5GPAK03	PART	總控旋轉鈕	Turn Base	1	8h
21	M5GDP7ARL-020	PART	錯簧	Corkscrew Coil Spring	1	20h
20	M5GDP7ARL-013	PART	止付螺絲	Grub screw	1	M3X5L
19	M5GCRC-FCGA2100	PART	BLAZE 650B 鋼管徑	Crown	1	
18	M5GBHEDB1-1	PART	長型彈簧套	Bush	2	120
17	M5GBH8CDC2	ASSEMBLY	油封	oil seal	2	*30內管
16	M5GAE9DA183	PART	氣阻蓋	Air Cap	1	TBD
15	M5GAE0DA275	PART	DT固定座 (DA, TNL 共用)	DT anchorage	1	M27.5*1.0
14	M5GAC9-1004	PART	圓筒內六角螺絲	HEX Bolts	1	M3X0.5X10L
13	M5GAC8-0731	PART	鎖式固定夾	Wire Clip	1	For M3x0.5
12	M5GAC8-0404	PART	導套	Switch Stand	1	14.8L
11	M5GAC8-001	PART	下座墊片		1	040968
10	M5GAC1203-106	PART	土除支架片 (右)		1	
9	M5GAC1203-105	PART	土除支架片 (左)		1	
8	M5FHJ-2Y70-100	PART	C型扣環	CIW	2	∅41.9x∅3x36
7	M5FA9-2Y11-100	PART	圓筒內六角螺絲	bolt	2	M5X0.8
6	H5GDPFBK14	ASSEMBLY	5'TNL鎖死棒 (雙線牙板)	Travel lock-out Cartridge	1	
5	H5GDPEDC226-5	ASSEMBLY	氣壓棒	AIR CARTRIDGE	1	
4	H5GDPDAR3	ASSEMBLY	TRL掛桿組 (鉻合金)	Tiny Remote Lockout	1	
3	H5GDPCARL3-1	ASSEMBLY	12'RL懸車線外線組	Remote Outline Assembly	1	
2	H5GDP8ARL6	ASSEMBLY	08'RL扣環組 (高級)	Remote Outline Base	1	
1	1022A-02512C-B	PART	六角承座螺絲 (黑)	HEX BOLT	1	M2.5x0.45

Bill of material									
MATERIAL	ASSEMBLY	Q'TY	1	MODEL	PULSE AIR 27.5 RL (50)				
UNIT	MM	SCALE	0.700	DRAW NO	PGF079VB	rev.	1.0		
FASHING	TREAT								
DESIGN	DRAWING	CHECK	CONFIG	APPE	NAME	爆炸圖			
RST									