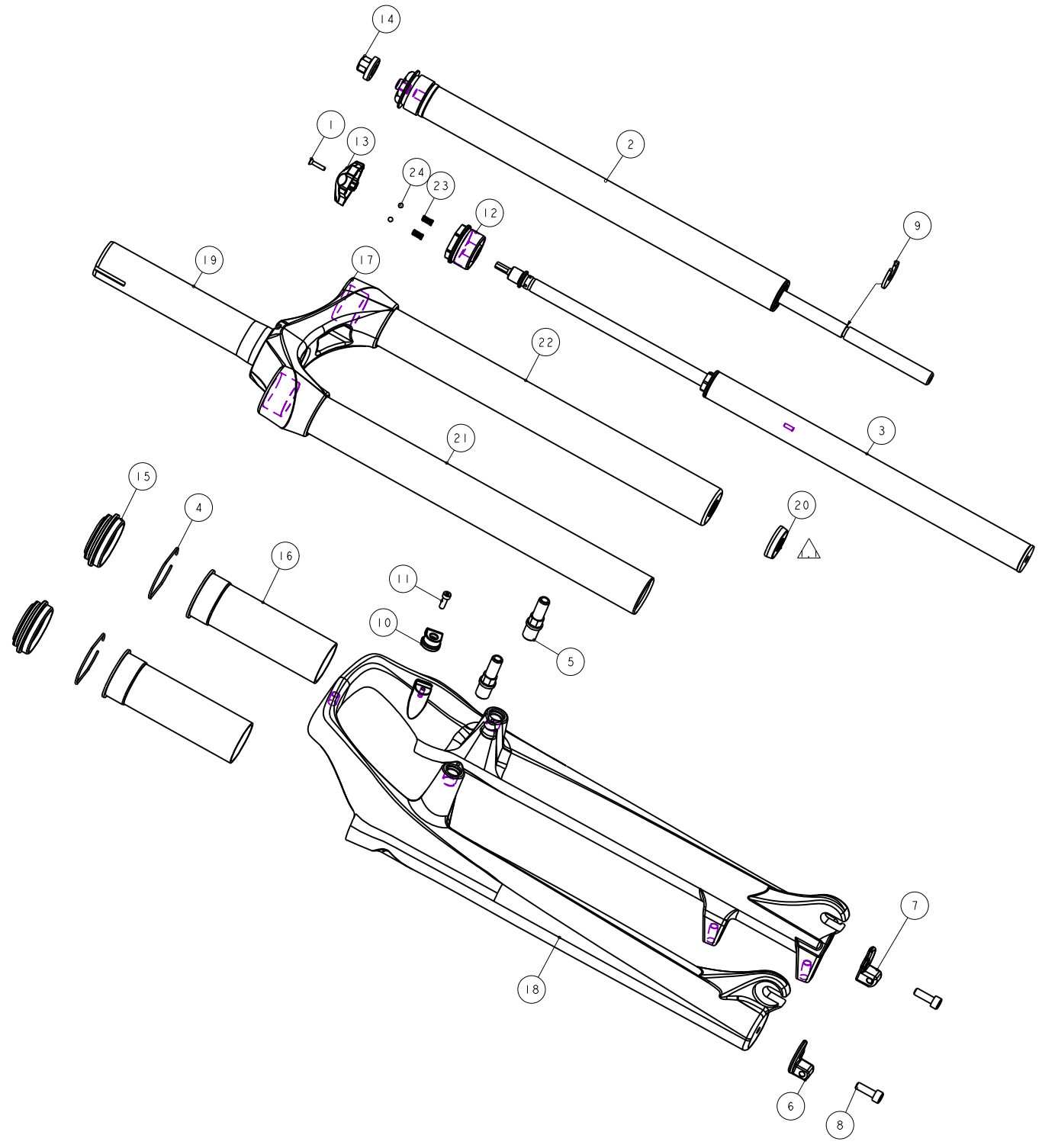


機械加工尺寸一般容許公差					REV.	DATE	DESCRIPTION	CHANGER	CHECK
尺寸	長度	尺寸	孔徑	軸徑					
1 <= 10	±0.2	1 <= 10	+0.2 -0.2	+0.2 -0.2	△	4Sep'14	線路變更 M5S32-2310-000 →M5GSPB-5006-2	蔡博豐	
10.001 <= 100	±0.3	10.001 <= 100	+0.3 -0.3	+0.3 -0.3					
100.001 <= 250	±0.5	100.001 <= 250	+0.5 -0.5	+0.5 -0.5					
250.001 <= 500	±0.8	250.001 <= 500	+1.0 -1.0	+1.0 -1.0					
500 <	±1.3	500 <	+1.5 -1.5	+1.5 -1.5					



品號	煞車軸	外管	規格說明
PGF0818B	M5FKD-2723-000	M5GFRJC2-0000	有軸 行程50mm
PGF0808B	不使用	M5GFRJC2-1000	無軸 行程50mm

24	M5K43-2730-000	PART	小鋼珠	Steel ball	2	#4
23	M5K43-2351-000	PART	彈簧	Spring	2	Pitch 0.85
22	M5GSTAD1310C000	PART	內管		1	φ30X320L
21	M5GSTAD0310C000	PART	內管	Stanchion	1	φ30X310L
20	M5GSPB-5006-2	PART	緩衝墊	Top-Out Bumper	1	φ24X10.5X6L
19	M5GRTBA260	ASSEMBLY	轉向管	Steerer	1	
18	M5GFRJC2-0000	PART	2012 BLAZE29 外管		1	φ42x
17	M5GCRC1FCGA2000	PART	12" BLAZE29 鋼管	Crown	1	
16	M5GBHEDB1-1	PART	長壁膠套	Bush	2	120
15	M5GBH8CDC2	ASSEMBLY	油封	oil seal	2	φ30mm
14	M5GAE9DA183	PART	氣壓蓋	Air Cap	1	T80
13	M5GAE8TZ-2	PART	鎖死旋鈕	Lock out adjust cap	1	
12	M5GAE0DA275	PART	DT固定座 (DA, TNL 共用)	DT anchorage	1	M27.5x1.0
11	M5GAC9-1004	PART	圓筒六角螺絲	HEX Bolts	1	M3X0.5X10L
10	M5GAC8-0731	PART	鐵式固定夾	Wire Clip	1	For M3x0.5
9	M5GAC8-001	PART	下座墊片		1	040968
8	M5GAC6002	PART	圓筒六角螺絲 (NYSEAL)	ball(NYSEAL)	2	M5X0.8X15L
7	M5GAC1203-106	PART	土障支架片 (右)		1	
6	M5GAC1203-105	PART	土障支架片 (左)		1	
5	M5FKD-2723-000	PART	煞車軸	pivot	2	M10X1.25
4	M5FHJ-2Y70-100	PART	C型扣環	CTW	2	φ41.9xφ3x36
3	H5GDPFBK10	ASSEMBLY	15' TNL 鎖死棒 (雙線牙版)	Travel lock-out Cartridge	1	
2	H5GDPDC050	ASSEMBLY	氣壓棒	AIR CARTRIDGE	1	
1	1022A-02512C-B	PART	六角承螺絲 (黑)	HEX BOLT	1	M2.5x0.45
NO	PART NO	TYPE	CHINESE NAME	ENGLISH NAME	QTY	NOTE

Bill of material

MATERIAL	Assembly	Q'TY	1	MODEL	PULSE29 AIR TNL(50)	
UNIT	MM	SCALE	0.500	DRAW NO	PGF0818B	rev. 1.1
FASHING	TREAT			NAME	爆炸圖	
DESIGN	DRAWING	CHECK	CONFIG	APPE	RST	