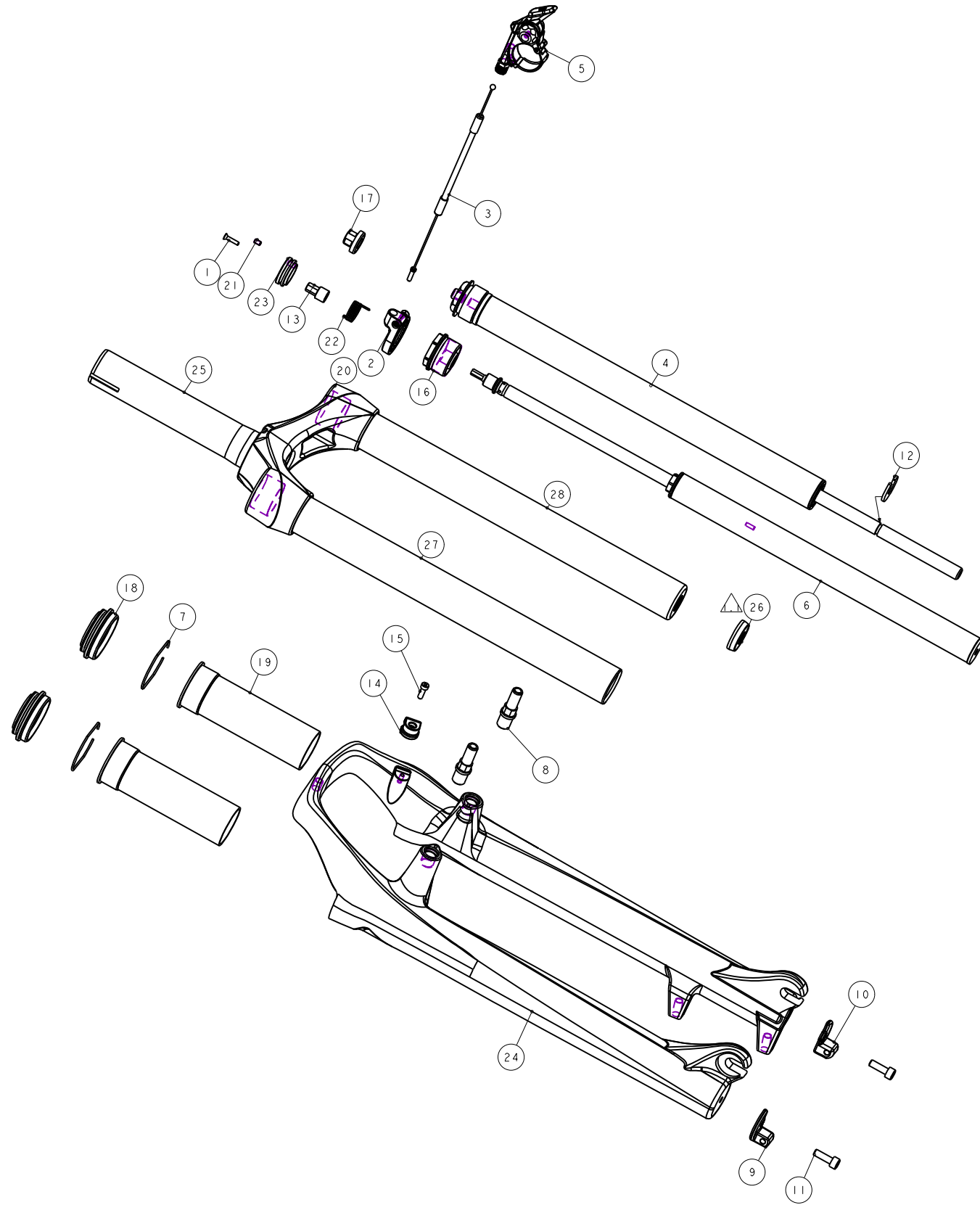


機械加工尺寸一般容許公差					REV.	DATE	DESCRIPTION	CHANGER	CHECK
尺寸	長度	尺寸	孔徑	軸徑					
1 <= 10	±0.2	1 <= 10	+0.2	+0	△	03 SEP'14	M5S32-2310-000 →M5GSPB-5006-2	許智強	
10.001 <= 100	±0.3	10.001 <= 100	+0.3	-0.3					
100.001 <= 250	±0.5	100.001 <= 250	+0.5	-0.5					
250.001 <= 500	±0.8	250.001 <= 500	+1.0	-1.0					
500 <	±1.3	500 <	+1.5	-1.5					



品號	煞車軸	外管	規格說明
PGF081VB	M5FKD-2723-000	M5GFRJC2-0000	有軸 行程50mm
PGF080VB	不使用	M5GFRJC2-1000	無軸 行程50mm

28	M5GSTAD1310C000	PART	內管		1	Φ30X320L
27	M5GSTAD0310C000	PART	內管	Stanchion	1	Φ30X310L
26	M5GSPB-5006-2	PART	緩衝墊	Top-Out Bumper	1	Φ24X10.5X6L
25	M5GRTBA260	ASSEMBLY	轉向管	Steerer	1	
24	M5GFRJC2-0000	PART	2012 BLAZE29 外管		1	Φ2x
23	M5GDPAK03	PART	線控旋轉	Turn Base	1	8h
22	M5GDP7ARL-020	PART	釘簧	Corkscrew Coil Spring	1	20h
21	M5GDP7ARL-013	PART	止付螺絲	Grub screw	1	M3X5L
20	M5GRC1FCGA2000	PART	12"BLAZE29鋼管徑	Crown	1	
19	M5GBHEDB1-1	PART	長管膠套	Bush	2	120
18	M5GBH8CDC2	ASSEMBLY	油封	oil seal	2	Φ30mm
17	M5GAE9DA183	PART	氣閘蓋	Air Cap	1	180
16	M5GAE0DA275	PART	DT固定座 (DA, TNL 共用)	DT anchorage	1	M27.5x1.0
15	M5GAC9-1004	PART	圓錐六角螺絲	HEX Bolts	1	M3X0.5X10L
14	M5GAC8-0731	PART	鐵式固定夾	Wire Clip	1	For M3x0.5
13	M5GAC8-0404	PART	導套	Switch Stand	1	14.8L
12	M5GAC8-001	PART	下座墊片		1	040968
11	M5GAC6002	PART	圓錐六角螺絲 (NYSEAL)	bolts(NYSEAL)	2	M5X0.8X15L
10	M5GAC1203-106	PART	土除支架片 (右)		1	
9	M5GAC1203-105	PART	土除支架片 (左)		1	
8	M5FKD-2723-000	PART	煞車軸	pivot	2	M10X1.25
7	M5FHJ-2Y70-100	PART	C型扣環	CTW	2	Φ41.9xΦ3x36
6	H5GDPFBK10	ASSEMBLY	15'TNL 鎖死棒 (雙線牙版)	Travel lock-out Cartridge	1	
5	H5GDPAR3	ASSEMBLY	TRL 線桿組 (鋅合金)	Tiny Remote Lockout	1	
4	H5GDPDC050	ASSEMBLY	氣壓棒	AIR CARTRIDGE	1	
3	H5GDPARL3-1	ASSEMBLY	12'RL 煞車線外線組	Remote Outline Assembly	1	
2	H5GDPARL6	ASSEMBLY	08'RL 扣環組 (高線)	Remote Outline Base	1	
1	1022A-02512C-B	PART	六角承螺絲 (黑)	HEX BOLT	1	M2.5x0.45
NO	PART NO	TYPE	CHINESE NAME	ENGLISH NAME	QTY	NOTE

Bill of material

MATERIAL	Assembly	Q'TY	1	MODEL	PULSE29 AIR RL (50)	
UNIT	MM	SCALE	0.500	DRAW NO	PGF081VB	rev. 1.1
FASHING	TREAT			NAME	爆炸圖	
DESIGN	DRAWING	CHECK	CONFIG	APPE	RST	