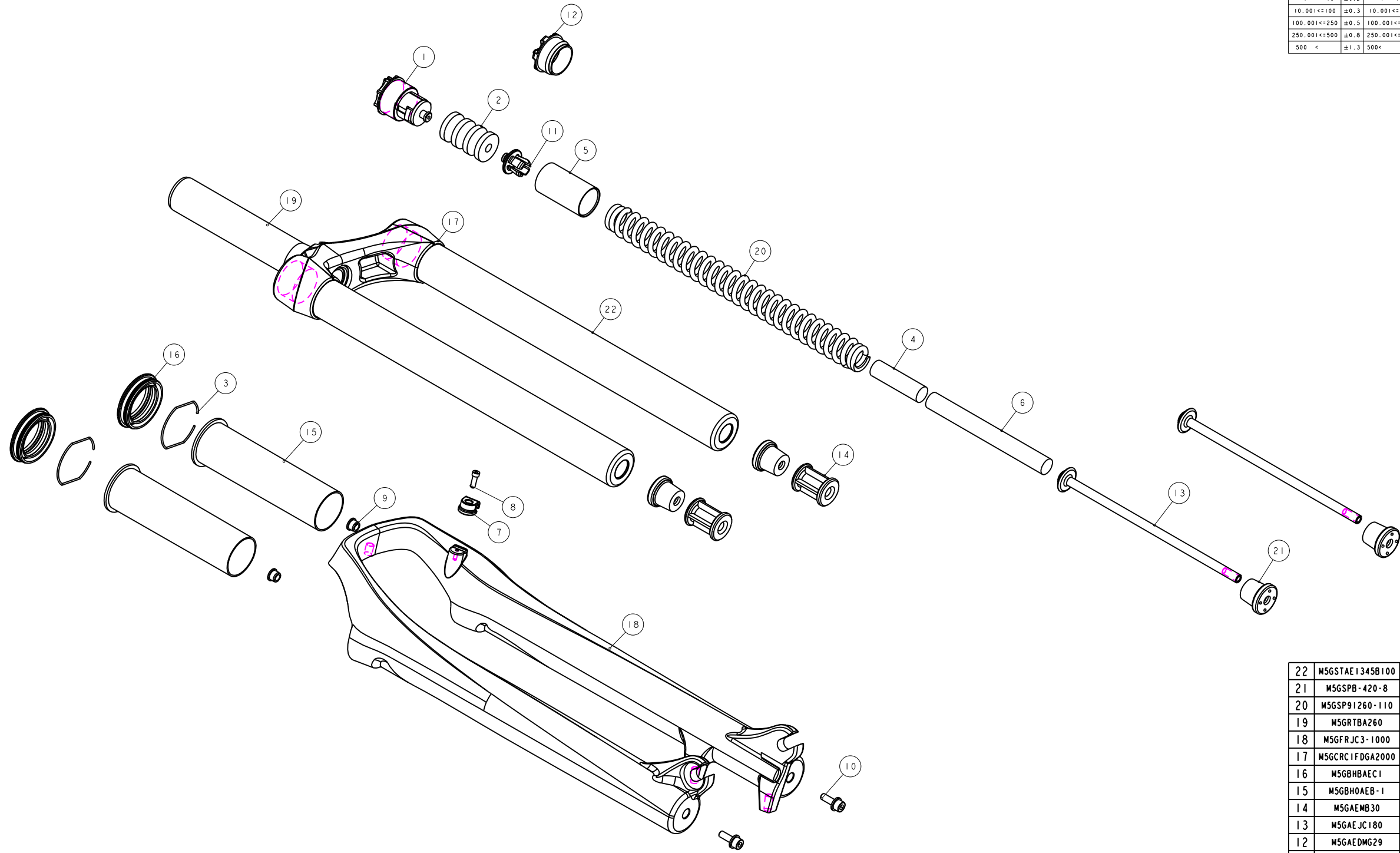


機械加工尺寸一般容許公差					REV.	DATE	DESCRIPTION	CHANGER	CHECK
尺寸	長寬高	尺寸	孔徑	軸徑					
1 <= 10	±0.2	1 <= 10	+0.2 -0.3	+0 -0.2					
10.001 <= 100	±0.3	10.001 <= 100	+0.3 -0.4	+0 -0.3					
100.001 <= 250	±0.5	100.001 <= 250	+0.5 -0.6	+0 -0.5					
250.001 <= 500	±0.8	250.001 <= 500	+1.0 -1.0	+0 -1.0					
500 <	±1.3	500 <	+1.5 -1.5	+0 -1.5					



22	M5GSTAE1345B100	PART	內管	Stanchion	2	φ32x345L-#
21	M5GSPB-420-8	PART	緩衝墊	Top-Out Bumper	4	
20	M5GSP91260-110	PART	彈簧	Spring	1	
19	M5GRTBA260	ASSEMBLY	轉接管	Steerer	1	
18	M5GFRJC3-1000	PART	2012 OMEGA 29 外管	CASTING	1	螺孔2个
17	M5GCRC1FDGA2000	PART	12" M29 鋼管	Crown	1	
16	M5GBHBAEC1	ASSEMBLY	油封	OIL SEAL	2	TBD
15	M5GBHOAEB-1	PART	長塑膠管套	Bushing(plastic)	2	125L
14	M5GAEMB30	PART	外管套	Bottom-Out spacer	2	30L
13	M5GAEJC180	PART	壓力桿下套	Compression Rod	2	180L
12	M5GAEDMG29	PART	防塵蓋	Dust cap	1	TBD
11	M5GAE-OPB020	PART	彈簧上套	Spring.Guide	1	
10	M5GACC0617-01	PART	圓筒六角螺絲	bolt	2	M5X15L
9	M5GACC0603-01	PART	轉接套	ADAPTER	2	
8	M5GAC9-1004	PART	圓筒六角螺絲	HEX Bolts	1	M3X0.5X10L
7	M5GAC8-0731	PART	線固定夾	Wire Clip	1	For M3x0.5
6	M5FWS-2311-000	PART	定距橡皮	top out spring bumper	1	φ13.8X120L
5	M5FUA-2310-000	PART	彈簧護套	Spring Sheath	1	NBR
4	M5FM2-2311-000	PART	定距橡皮	top out spring bumper	1	φ13.8X48L
3	M5FHJ-2Y70-300	PART	C型環	CTW	2	TBD
2	M231-D24-L40-60	PART	壓縮橡皮	Compressible buna	1	φ25.40L·HS50
1	H5GAE0A29	ASSEMBLY	10" 調整螺絲 φ32	Adjuster Assembly	1	M29X1.0
NO	PART NO	TYPE	CHINESE NAME	ENGLISH NAME	QTY	NOTE

品號第三碼表示年度碼  
PGF為2015, PGG為2016, PGH為2017, 以此類推

品號	優力膠下座	規格說明
PGX083AG	M5GAEJC180	無軸 標準彈簧座 行程120mm 總高530mm
PGX083AF	M5GAEJC160	無軸 標準彈簧座 行程100mm 總高510mm
PGX083AE	M5GAEJC140	無軸 標準彈簧座 行程80mm 總高490mm

Bill of material									
MATERIAL	ASSEMBLY	QTY	SCALE		MODEL	OMEGA 29 T(80/100/120)			
UNIT	MM		0.600		DRAW NO	PGX083AG rev. 1.0			
FASHING	TREAT				NAME	爆炸圖			
DESIGN	DRAWING	CHECK	CONFIG	APPE	RST				