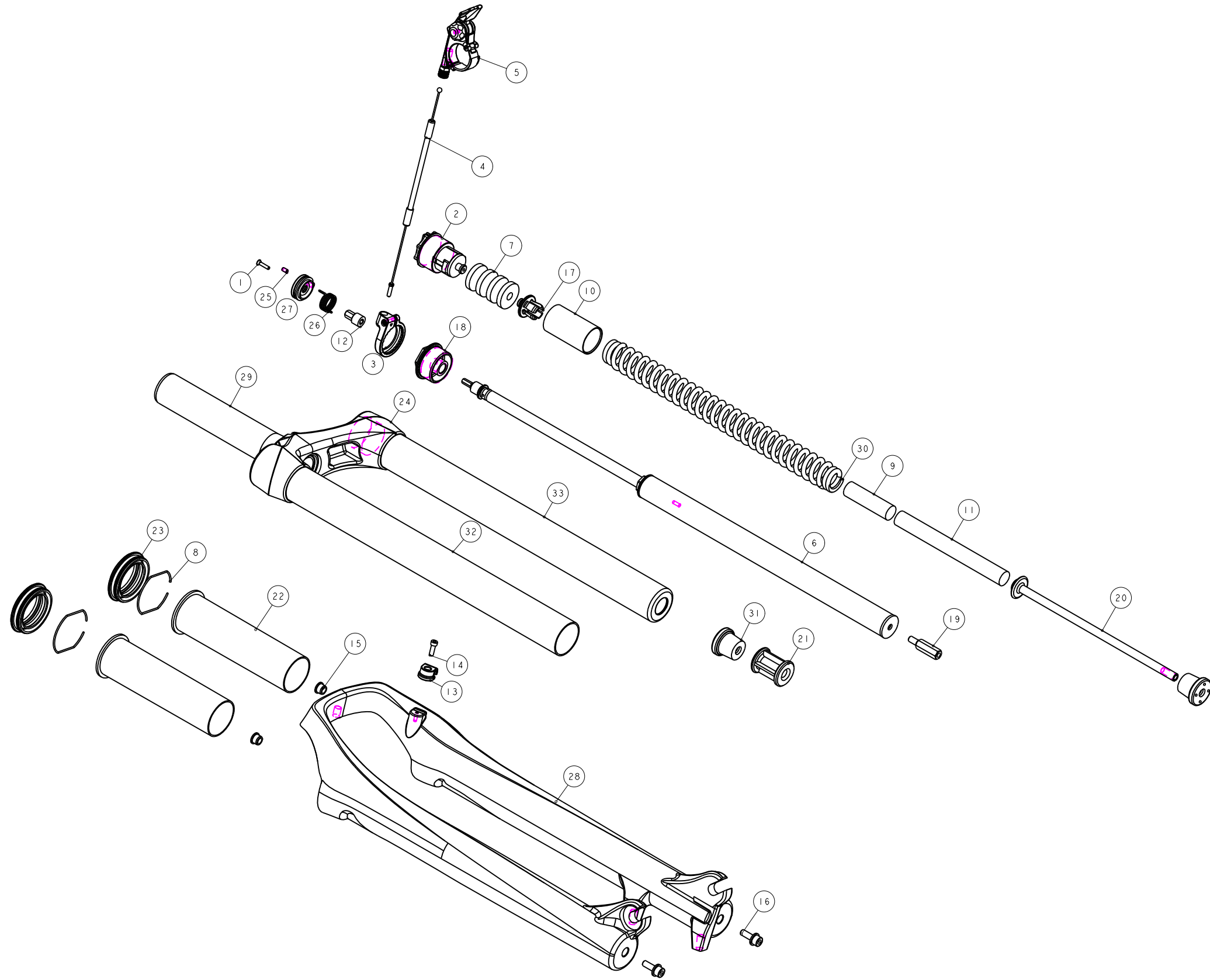


機械加工尺寸一般容許公差					REV.	DATE	DESCRIPTION	CHANGER	CHECK
尺寸	長寬高	尺寸	孔徑	軸徑					
1 < 10	±0.2	1 < 10	+0.2 -0.3	+0 -0.2					
10.001 < 100	±0.3	10.001 < 100	+0.3 -0.4	+0 -0.3					
100.001 < 250	±0.5	100.001 < 250	+0.5 -0.6	+0 -0.5					
250.001 < 500	±0.8	250.001 < 500	+0.8 -1.0	+0 -1.0					
500 <	±1.3	500 <	+1.3 -1.5	+0 -1.5					



品號第三碼表示年度碼  
PGF為2015, PGG為2016, PGH為2017, 以此類推

品號	優力膠下座	規格說明
PGX083CG	M5GAE JC180	無軸 標準頭管徑 行程120mm 總高530mm
PGX083CF	M5GAE JC160	無軸 標準頭管徑 行程100mm 總高510mm
PGX083CE	M5GAE JC140	無軸 標準頭管徑 行程80mm 總高490mm

33	M5GSTAE1345B100	PART	內管	Slanchion	1	Φ32x345L-註
32	M5GSTAE0345B100	PART	內管	Slanchion	1	Φ32x345L-註
31	M5GSPB-420-8	PART	緩衝墊	Top-Out Bumper	2	
30	M5GRP91260-110	PART	彈簧	Spring	1	
29	M5GRTBA260	ASSEMBLY	轉接管	Sleever	1	
28	M5GFRJC3-1000	PART	2012 OMEGA 29 外管	CASTING	1	車孔2小
27	M5GDPAK03	PART	螺絲帽	Turn Base	1	8h
26	M5GDP7ARL-020	PART	螺絲	Corkscrew Coil Spring	1	20h
25	M5GDP7ARL-013	PART	止付螺絲	Grab screw	1	M3X5L
24	M5GCRC1FDGA2000	PART	12" M29 螺絲	Crown	1	
23	M5GBHBAEC1	ASSEMBLY	油封	OIL SEAL	2	TBD
22	M5GBHOAEB-1	PART	長膠圈	Bushing(plastic)	2	125L
21	M5GAEMB30	PART	外管	Bottom-Out spacer	1	30L
20	M5GAEJC180	PART	優力膠下座	Compression Rod	1	180L
19	M5GAE9L023	PART	螺絲桿	Shank	1	M5X0.8
18	M5GAEOA29	PART	RA固定座	DT anchorage	1	M29*1.0
17	M5GAE-0PB020	PART	彈簧上座	Spring_Guide	1	
16	M5GACC0617-01	PART	圓六角螺絲	bolt	2	M5X15L
15	M5GACC0603-01	PART	轉接	ADAPTER	2	
14	M5GAC9-1004	PART	圓六角螺絲	HEX Bolts	1	M3X0.5X10L
13	M5GAC8-0731	PART	線固定夾	Wire Clip	1	For M3x0.5
12	M5GAC8-0404	PART	導套	Switch Stand	1	14.8L
11	M5FWS-2311-000	PART	定距螺絲	top out spring bumper	1	Φ13.8X120L
10	M5FUA-2310-000	PART	彈簧護套	Spring Sheath	1	NBR
9	M5FM2-2311-000	PART	定距螺絲	top out spring bumper	1	Φ13.8X48L
8	M5FHJ-2Y70-300	PART	C型螺絲	CTW	2	TBD
7	M231-D24-L40-60	PART	壓縮螺絲	Compressible buna	1	Φ25.40L·HS50
6	H5GDPFBK14	ASSEMBLY	15" TNL 螺絲 (雙線牙版)	Travel lock-out Cartridge	1	行程120
5	H5GDPDAR3	ASSEMBLY	TRL 螺絲 (非合金)	Tiny Remote Lockout	1	
4	H5GDPARL3-1	ASSEMBLY	12" RL 螺絲 (非合金)	Remote Outline Assembly	1	
3	H5GDP8ARL6	ASSEMBLY	08" RL 螺絲 (非合金)	Remote Outline Base	1	
2	H5GAE0A29	ASSEMBLY	10" 調整螺絲 Φ32	Adjuster Assembly	1	M29X1.0
1	1022A-02512C-B	PART	六角螺絲 (黑)	HEX BOLT	1	M2.5x0.45
NO	PART NO	TYPE	CHINESE NAME	ENGLISH NAME	QTY	NOTE

Bill of material

MATERIAL	ASSEMBLY	QTY	1	MODEL	OMEGA 29 RL(80/100/120)		
UNIT	MM	SCALE	0.550	DRAW NO	PGX083CG	rev.	1.0
FASHING		TREAT		NAME	爆炸圖		
DESIGN	DRAWING	CHECK	CONFIG	APPE	RST		