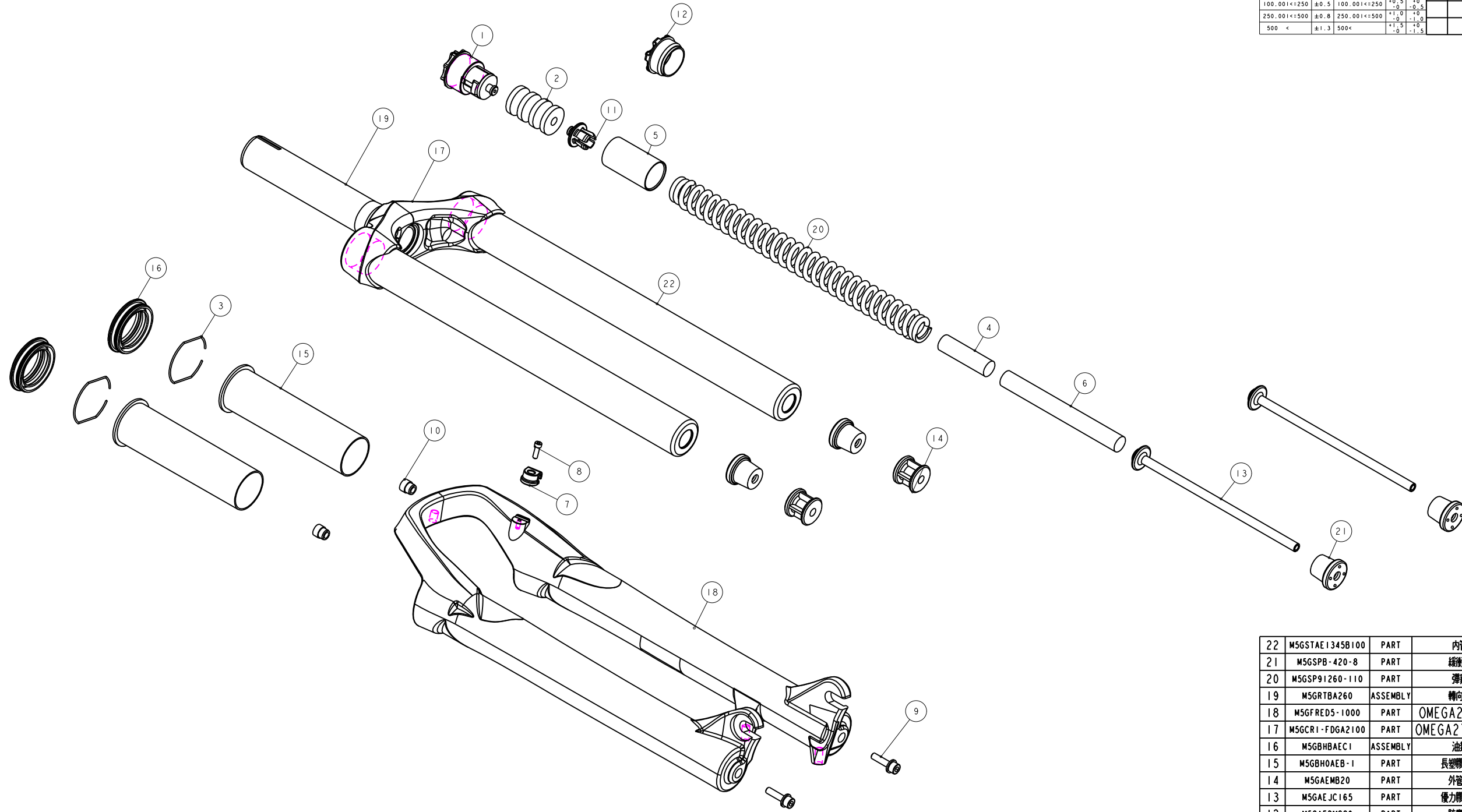


機械加工尺寸一般容許公差					REV.	DATE	DESCRIPTION	CHANGER	CHECK
尺寸	長寬高	尺寸	孔徑	軸徑					
1 <= 10	±0.2	1 <= 10	+0.2 -0.3	+0.2 -0.2					
10.001 <= 100	±0.3	10.001 <= 100	+0.3 -0.3	+0.3 -0.3					
100.001 <= 250	±0.5	100.001 <= 250	+0.5 -0.5	+0.5 -0.5					
250.001 <= 500	±0.8	250.001 <= 500	+1.0 -0.8	+1.0 -1.0					
500 <	±1.3	500 <	+1.5 -1.3	+1.5 -1.5					



22	M5GSTAE1345B100	PART	內管	Stanchion	2	Φ32x345L-#
21	M5GSPB-420-8	PART	緩衝墊	Top-Out Bumper	4	
20	M5GSP91260-110	PART	彈簧	Spring	1	
19	M5GRTBA260	ASSEMBLY	轉向管	Steerer	1	
18	M5GFRED5-1000	PART	OMEGA27.5外管		1	螺孔2个
17	M5GCR1-FDGA2100	PART	OMEGA27.5頭管徑	Crown	1	
16	M5GBHBAEC1	ASSEMBLY	油封	OIL SEAL	2	TBD
15	M5GBHOAEB-1	PART	長塑膠襯套	Bushing(plastic)	2	125L
14	M5GAEMB20	PART	外管座	Bottom-Out spacer	2	20L
13	M5GAEJC165	PART	優力膠下座	Compression Rod	2	165L
12	M5GAEDMG29	PART	防塵蓋	Dust cap	1	TBD
11	M5GAE-OPB020	PART	彈簧上座	Spring_Guide	1	
10	M5GACF1031-01	PART	轉接座	ADAPTER	2	
9	M5GACC0617-02	PART	圓頭內六角螺絲	bolt	2	M5X20L
8	M5GAC9-1004	PART	圓頭內六角螺絲	HEX Bolts	1	M3X0.5X10L
7	M5GAC8-0731	PART	鎖式固定夾	Wire Clip	1	For M3x0.5
6	M5FWS-2311-000	PART	定距橡皮	top out spring bumper	1	Φ13.8X120L
5	M5FUA-2310-000	PART	彈簧護套	Spring Sheath	1	NBR
4	M5FM2-2311-000	PART	定距橡皮	top out spring bumper	1	Φ13.8X48L
3	M5FHJ-2Y70-300	PART	C型扣環	CTW	2	TBD
2	M231-D24-L40-60	PART	壓縮橡皮	Compressible buna	1	Φ25.40L·HS50
1	H5GAE0A29	ASSEMBLY	10'調整座組 Φ32	Adjuster Assembly	1	M29X1.0
NO	PART NO	TYPE	CHINESE NAME	ENGLISH NAME	QTY	NOTE

品號第三碼表示年度碼
PGF為2015, PGG為2016, PGH為2017, 以此類推

品號	優力膠下座	規格說明
PGX022AG	M5GAEJC165	無軸 行程120mm 總高515mm
PGX022AF	M5GAEJC145	無軸 行程100mm 總高495mm
PGX022AE	M5GAEJC125	無軸 行程80mm 總高475mm

Bill of material

MATERIAL	ASSEMBLY	QTY	1	MODEL	OMEGA27.5 T(80/100/120)	
UNIT	MM	SCALE	0.600	DRAW NO	PGX022AG	rev. 1.0
FASHING	TREAT			NAME	爆炸圖	
DESIGN	DRAWING	CHECK	CONFIG	APPE	RST	