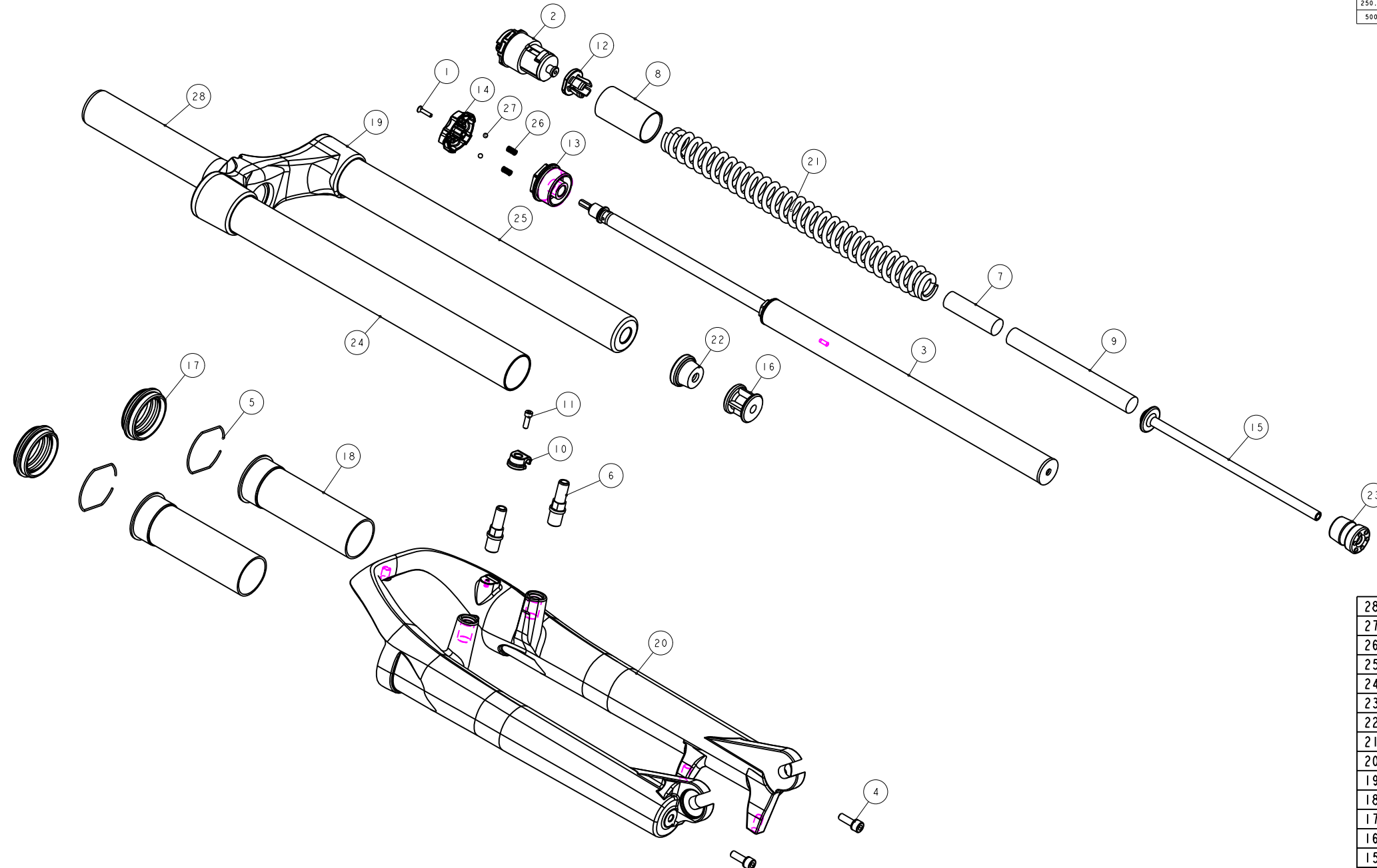


機械加工尺寸一般容許公差					REV.	DATE	DESCRIPTION	CHANGER	CHECK
尺寸	長寬高	尺寸	孔徑	軸徑					
1 < 10	±0.2	1 < 10	+0.2 -0.2	+0.2 -0.2					
10.001 < 100	±0.3	10.001 < 100	+0.3 -0.3	+0.3 -0.3					
100.001 < 250	±0.5	100.001 < 250	+0.5 -0.5	+0.5 -0.5					
250.001 < 500	±0.8	250.001 < 500	+1.0 -0.8	+1.0 -0.8					
500 <	±1.3	500 <	+1.5 -1.3	+1.5 -1.3					



28	MFPV-286-100	PART	轉向管	Steerer	1	φ28.6
27	M5K43-2730-000	PART	小鋼珠	Steel ball	2	φ4
26	M5K43-2351-000	PART	彈簧	Spring	2	Pitch 0.85
25	M5GSTAD1310B000	PART	內管	Slanchion	1	φ30X320L
24	M5GSTAD0310B000	PART	內管	Slanchion	1	φ30X320L
23	M5GSPB-503-40	PART	緩衝墊	Top-Out Bumper	1	φ40
22	M5GSPB-415-8	PART	緩衝墊	Top-Out Bumper	1	15L
21	M5GSP91260-092	PART	彈簧	Spring	1	
20	M5GFRC11-0000	PART	OMEGA 有軸外管	Castling	1	P130 φ32
19	M5GCR0-FCGA2000	PART	130壓縮管(拋光黑)	Crown	1	P130
18	M5GBHEDB1-1	PART	長型膠套	Bush	2	120
17	M5GBH8CDC2	ASSEMBLY	油封	oil seal	2	φ30內徑
16	M5GAEMB20	PART	外管座	Bottom-Out spacer	1	20L
15	M5GAEJC170	PART	優力膠下座	Compression Rod	1	170L
14	M5GAE8TZ-2	PART	鎖死旋鈕	Lock out adjust cap	1	
13	M5GAE0DA275	PART	DT固定座(DA, TNL共用)	DT anchorage	1	M27.5x1.0
12	M5GAE-0PB021	PART	彈簧座	Spring Guide	1	
11	M5GAC9-1004	PART	圓筒內六角螺絲	HEX Bolts	1	M3X0.5X10L
10	M5GAC8-0731	PART	鎖式固定夾	Wire Clip	1	For M3x0.5
9	M5FWS-2311-000	PART	定距橡皮	top out spring bumper	1	φ13.8X120L
8	M5FUA-2310-000	PART	彈簧護套	Spring Sheath	1	NBR
7	M5FM2-2311-000	PART	定距橡皮	top out spring bumper	1	φ13.8X48L
6	M5FKD-2723-000	PART	煞車軸	pivot	2	M10X1.25
5	M5FHJ-2Y70-100	PART	C型扣環	CIW	2	φ41.9xφ3x36
4	M5FA2-2Y12-100	PART	圓筒內六角螺絲	HEX Bolts	2	M5x0.8x15L
3	H5GDPFBK14	ASSEMBLY	15'TNL鎖死棒(雙端牙版)	Travel lock-out Cartridge	1	行程120
2	H5GAE0A30	ASSEMBLY	10'調整座組 φ30	Adjuster Assembly	1	M27.5x1.0
1	1022A-02512C-B	PART	六角承頂螺絲(黑)	HEX BOLT	1	M2.5x0.45
NO	PART NO	TYPE	CHINESE NAME	ENGLISH NAME	QTY	NOTE

品號第三碼表示年度碼  
PGF為2015, PGG為2016, PGH為2017, 以此類推

品號	優力膠下座	TNL棒	外管替換料件	煞車軸	差異性
PGX024BG	M5GAEJC170	H5GDPFBK14	M5GFRC11-0000	M5FKD-2723-000	有軸 行程120
PGX024BF	M5GAEJC150	H5GDPFBK10			有軸 行程100
PGX024BE	M5GAEJC130	H5GDPFBK10			有軸 行程80
PGX023BG	M5GAEJC170	H5GDPFBK14	M5GFRC11-1000	不使用	無軸 行程120
PGX023BF	M5GAEJC150	H5GDPFBK10			無軸 行程100
PGX023BE	M5GAEJC130	H5GDPFBK10			無軸 行程80

Bill of material						
MATERIAL	Assembly	QTY	1	MODEL	OMEGA26 TNL(80/100/120)	
UNIT	MM	SCALE	0.550	DRAW NO	PGX024BG	rev. 1.0
FASHING		TREAT		NAME	爆炸圖	
DESIGN	DRAWING	CHECK	CONFIG	APPE	RST	