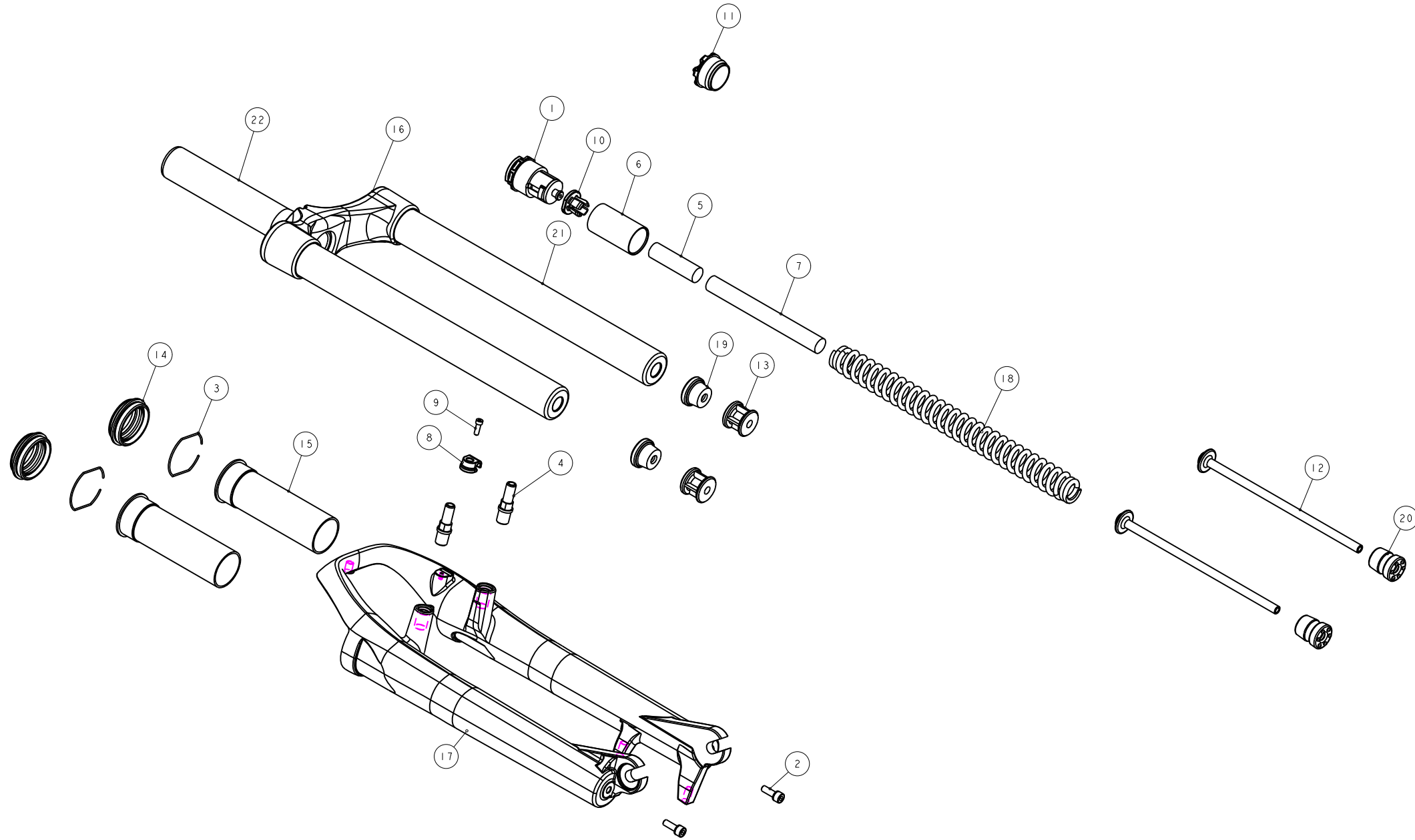


機械加工尺寸一般容許公差					REV.	DATE	DESCRIPTION	CHANGER	CHECK
尺寸	長寬高	尺寸	孔徑	軸徑					
1 <= 10	±0.2	1 <= 10	+0.2 -0.3	+0 -0.2					
10.001 <= 100	±0.3	10.001 <= 100	+0.3 -0.4	+0 -0.3					
100.001 <= 250	±0.5	100.001 <= 250	+0.5 -0.6	+0 -0.5					
250.001 <= 500	±0.8	250.001 <= 500	+1.0 -1.0	+0 -1.0					
500 <	±1.3	500 <	+1.5 -1.5	+0 -1.5					



22	MFPV-286-100	PART	轉向管	Steerer	1	±28.6
21	M5GSTAD1310B000	PART	內管	Stanchion	2	±30X320L
20	M5GSPB-503-40	PART	緩衝墊	Top-Out Bumper	2	±40
19	M5GSPB-415-8	PART	緩衝墊	Top-Out Bumper	2	15L
18	M5GSP91260-092	PART	彈簧	Spring	1	
17	M5GFRC11-0000	PART	OMEGA 有軸外管	Casting	1	P130 ±32
16	M5GCR0-FCGA2000	PART	30壓鑄管座 (拋光黑)	Crown	1	P130
15	M5GBHEDB1-1	PART	長型膠襯套	Bush	2	120
14	M5GBH8C2	ASSEMBLY	油封	oil seal	2	±30內管
13	M5GAEMB20	PART	外管座	Bottom-Out spacer	2	20L
12	M5GAEJC170	PART	優力膠下座	Compression Rod	2	170L
11	M5GAEDMG275	PART	防塵蓋	Dust cap	1	TBD
10	M5GAE-0PB021	PART	彈簧座	Spring Guide	1	
9	M5GAC9-1004	PART	圓頭內六角螺栓	HEX Bolts	1	M3X0.5X10L
8	M5GAC8-0731	PART	錯式固定夾	Wire Clip	1	For M3x0.5
7	M5FWS-2311-000	PART	定距橡皮	top out spring bumper	1	±13.8X120L
6	M5FUA-2310-000	PART	彈簧護套	Spring Sheath	1	NBR
5	M5FM2-2311-000	PART	定距橡皮	top out spring bumper	1	±13.8X48L
4	M5FKD-2723-000	PART	煞車軸	pivot	2	M10X1.25
3	M5FHJ-2Y70-100	PART	C型扣環	CTW	2	±41.9x±3x±36
2	M5FA2-2Y12-100	PART	圓頭內六角螺栓	HEX Bolts	2	M5x0.8x15L
1	H5GAE0A30	ASSEMBLY	10' 調整座組 φ30	Adjuster Assembly	1	M27.5X1.0
NO	PART NO	TYPE	CHINESE NAME	ENGLISH NAME	QTY	NOTE

品號第三碼表示年度碼
PGF為2015, PGG為2016, PGH為2017, 以此類推

品號	外管組替換料件	煞車軸	優力膠下座	差異性
PGX024AG	M5GFRC11-0000	M5FKD-2723-000	M5GAEJC170	有軸 行程120
PGX024AF		M5FKD-2723-000	M5GAEJC150	有軸 行程100
PGX024AE		M5FKD-2723-000	M5GAEJC130	有軸 行程80
PGX023AG	M5GFRC11-1000	不使用	M5GAEJC170	無軸 行程120
PGX023AF		不使用	M5GAEJC150	無軸 行程100
PGX023AE		不使用	M5GAEJC130	無軸 行程80

Bill of material

MATERIAL	Assembly	QTY	1	MODEL	OMEGA26 T(80/100/120)			
UNIT	MM	SCALE	0.500	DRAW NO	PGX024AG	rev.	1.0	
FASHING		TREAT		NAME	爆炸圖			
DESIGN	DRAWING	CHECK	CONFIG	APPE	RST			