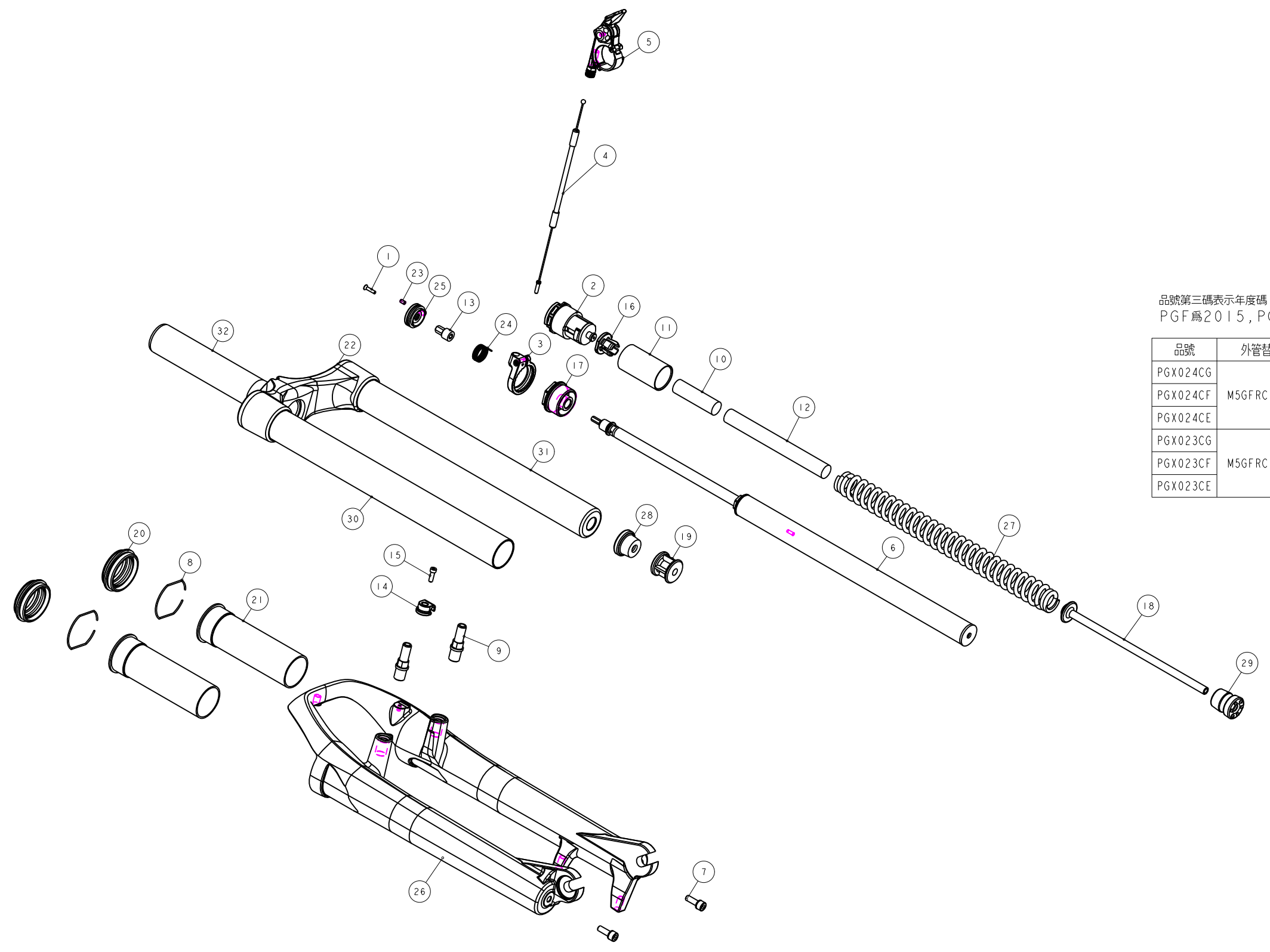


機械加工尺寸一般容許公差					REV.	DATE	DESCRIPTION	CHANGER	CHECK
尺寸	長度	尺寸	孔徑	軸徑					
1 < 10	±0.2	1 < 10	+0.2 -0.2	+0.2 -0.2					
10.001 < 100	±0.3	10.001 < 100	+0.3 -0.3	+0.3 -0.3					
100.001 < 250	±0.5	100.001 < 250	+0.5 -0.5	+0.5 -0.5					
250.001 < 500	±0.8	250.001 < 500	+1.0 -1.0	+1.0 -1.0					
500 <	±1.3	500 <	+1.5 -1.5	+1.5 -1.5					



品號第三碼表示年度碼
PGF為2015, PGG為2016, PGH為2017, 以此類推

品號	外管替換料件	煞車軸	TNL 鎖死棒	優力膠下座	差異性
PGX024CG	M5GFRC11-0000	M5FKD-2723-000	H5GDPFBK14	M5GAEJC170	有軸 行程120
PGX024CF			H5GDPFBK10	M5GAEJC150	有軸 行程100
PGX024CE			H5GDPFBK10	M5GAEJC130	有軸 行程80
PGX023CG	M5GFRC11-1000	不使用	H5GDPFBK14	M5GAEJC170	無軸 行程120
PGX023CF			H5GDPFBK10	M5GAEJC150	無軸 行程100
PGX023CE			H5GDPFBK10	M5GAEJC130	無軸 行程80

32	MFPV-286-100	PART	轉向管	Sleever	1	Φ28.6
31	M5GSTAD0310B000	PART	內管	Slanchion	1	Φ30X320L
30	M5GSTAD0310B000	PART	內管	Slanchion	1	Φ30X320L
29	M5GSPB-503-40	PART	緩衝墊	Top-Out Bumper	1	Φ40
28	M5GSPB-415-8	PART	緩衝墊	Top-Out Bumper	1	15L
27	M5GSP91260-092	PART	彈簧	Spring	1	
26	M5GFRC11-0000	PART	OMEGA 有軸外管	Casting	1	P130 Φ32
25	M5GDPAK03	PART	總控旋轉鈕	Turn Base	1	8h
24	M5GDP7ARL-020	PART	鎖簧	Corkscrew Coil Spring	1	20h
23	M5GDP7ARL-013	PART	止付螺柱	Grub screw	1	M3X5L
22	M5GCR0-FCGA2000	PART	130螺絲帽管座 (拋光黑)	Crown	1	P130
21	M5GBHEDB1-1	PART	長螺絲管座	Bush	2	120
20	M5GBH8CDC2	ASSEMBLY	油封	oil seal	2	Φ30內徑
19	M5GAEMB20	PART	外管座	Bottom-Out spacer	1	20L
18	M5GAEJC170	PART	優力膠下座	Compression Rod	1	170L
17	M5GAEODA275	PART	DT固定座 (DA, TNL 共用)	DT anchorage	1	M27.5Φ1.0
16	M5GAE-0PB021	PART	彈簧座	Spring Guide	1	
15	M5GAC9-1004	PART	圓筒內六角螺柱	HEX Bolts	1	M3X0.5X10L
14	M5GAC8-0731	PART	鎖式固定夾	Wire Clip	1	For M3x0.5
13	M5GAC8-0404	PART	導套	Switch Stand	1	14.8L
12	M5FWS-2311-000	PART	定距橡皮	top out spring bumper	1	Φ13.8X120L
11	M5FUA-2310-000	PART	彈簧護套	Spring Sheath	1	NBR
10	M5FM2-2311-000	PART	定距橡皮	top out spring bumper	1	Φ13.8X48L
9	M5FKD-2723-000	PART	煞車軸	pivot	2	M10X1.25
8	M5FHJ-2Y70-100	PART	C型扣環	CTW	2	Φ41.9xΦ3x36
7	M5FA2-2Y12-100	PART	圓筒內六角螺柱	HEX Bolts	2	M5x0.8x15L
6	H5GDPFBK14	ASSEMBLY	15'TNL 鎖死棒 (雙線牙版)	Travel lock-out Cartridge	1	行程120
5	H5GDPDR3	ASSEMBLY	TRL 鎖桿組 (鋅合金)	Tiny Remote Lockout	1	
4	H5GDPCARL3-1	ASSEMBLY	12"RL 煞車線外總組	Remote Outline Assembly	1	
3	H5GDP8ARL6	ASSEMBLY	08"RL 扣環組 (高級)	Remote Outline Base	1	
2	H5GAE0A30	ASSEMBLY	10' 調整座組 Φ30	Adjuster Assembly	1	M27.5X1.0
1	1022A-02512C-B	PART	六角承座螺絲 (黑)	HEX BOLT	1	M2.5x0.45
NO	PART NO	TYPE	CHINESE NAME	ENGLISH NAME	QTY	NOTE

Bill of material

MATERIAL	Assembly	QTY	1	MODEL	OMEGA26 RL(80/100/120)		
UNIT	MM	SCALE	0.500	DRAW NO	PGX024CG	rev.	1.0
FASHING		TREAT		DESIGN	RST		
DESIGN	DRAWING	CHECK	CONFIG	APPE	NAME	爆炸圖	