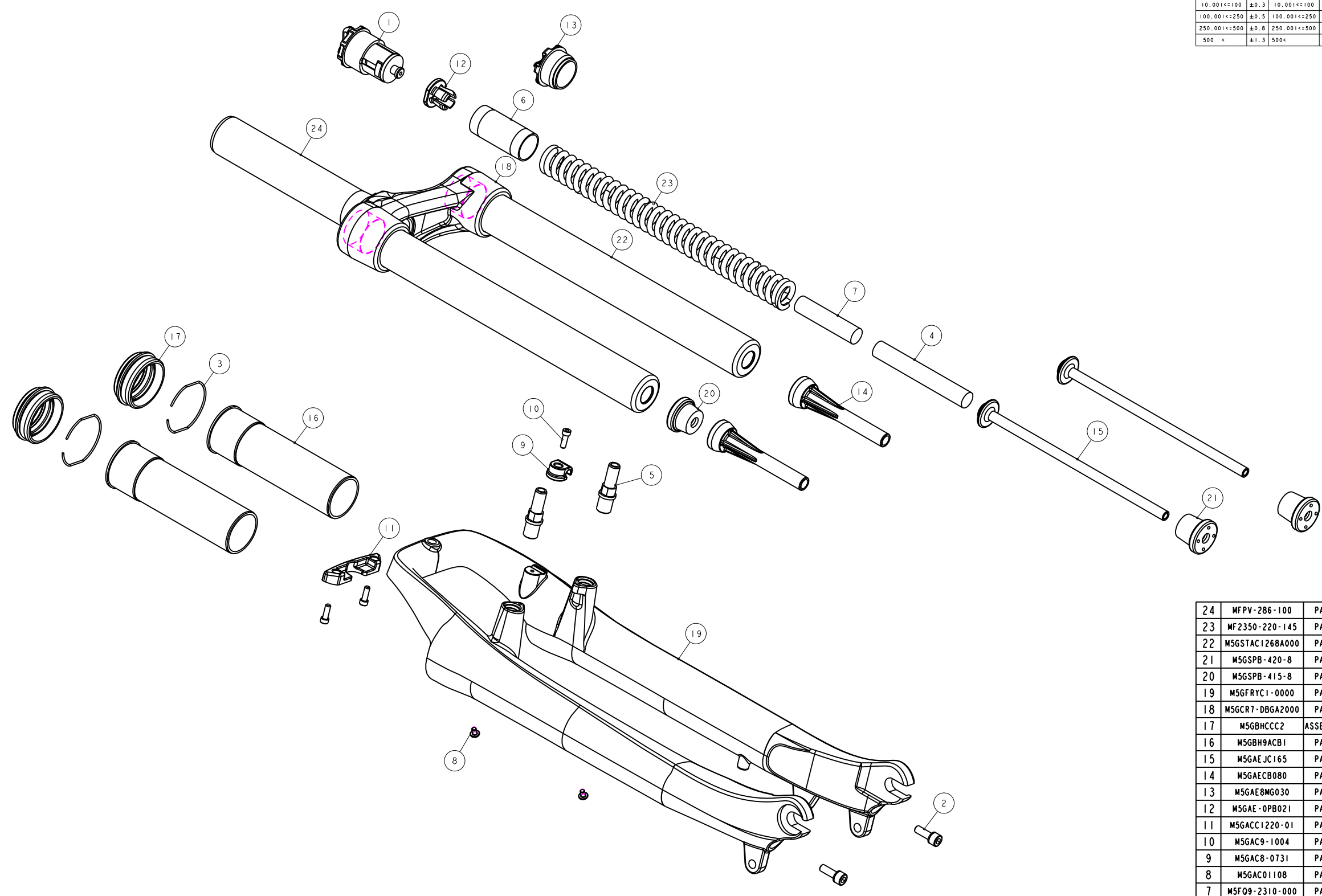


機械加工尺寸一般容許公差					REV.	DATE	DESCRIPTION	CHANGER	CHECK
尺寸	長度	尺寸	孔徑	軸徑					
1 <= 10	±0.2	1 <= 10	+0.2 -0.3	+0 -0.2					
10.001 <= 100	±0.3	10.001 <= 100	+0.3 -0.4	+0 -0.3					
100.001 <= 250	±0.5	100.001 <= 250	+0.5 -0.6	+0 -0.5					
250.001 <= 500	±0.8	250.001 <= 500	+1.0 -0.9	+0 -1.0					
500 <	±1.3	500 <	+1.5 -1.3	+0 -1.5					



NO	PART NO	TYPE	CHINESE NAME	ENGLISH NAME	QTY	NOTE
24	MFPV-286-100	PART	轉向管	Steerer	1	φ28.6
23	MF2350-220-145	PART	彈簧	Spring	1	220L
22	M5GSTAC1268A000	PART	內管		2	φ28.6
21	M5GSPB-420-8	PART	緩衝墊	Top-Out Bumper	2	
20	M5GSPB-415-8	PART	緩衝墊	Top-Out Bumper	1	15L
19	M5GFRYCI-0000	PART	12"NEON_PL5 外管成品		1	pitch112
18	M5GCR7-DBG2000	PART	壓頂鋼(螺孔28.6)	Crown	1	Pitch 112
17	M5GBHCCC2	ASSEMBLY	油封	oil seal	2	φ37.6
16	M5GBH9ACB1	PART	NEON-PRO 橡膠襯套	Bush	2	110L
15	M5GAEJC165	PART	優力膠下座	Compression Rod	2	165L
14	M5GAECB080	PART	外管座	bottom_out space	2	φ7.2*10*80L
13	M5GAE8MG030	PART	防塵蓋	Dust cap	1	TBD
12	M5GAE-0PB021	PART	彈簧座	Spring Guide	1	
11	M5GACC1220-01	PART	燈架蓋		1	
10	M5GAC9-1004	PART	螺絲內六角螺絲	HEX Bolts	3	M3X0.5X10L
9	M5GAC8-0731	PART	鎖式固定夾	Wire Clip	1	For M3x0.5
8	M5GAC01108	PART	導線螺絲	bolt	2	M3X0.5
7	M5FQ9-2310-000	PART	定距橡皮	Top-Out Bumper	1	φ12X52L Hs40H
6	M5FNL-2311-000	PART	彈簧護套	Spring Sheath	1	TBD
5	M5FKD-2723-000	PART	煞車軸	pivot	2	M10X1.25
4	M5FKA-2311-000	PART	定距橡皮	Top-Out Bumper	1	φ12X52L Hs40H
3	M5FHJ-2Y70-000	PART	C型扣環	RETAINING RING	2	TBD
2	M5FA2-2Y12-100	PART	螺絲內六角螺絲	HEX Bolts	2	M5x0.8x15L
1	H5FNM-2163-100	ASSEMBLY	調整螺絲 2006	Adjuster Assembly	1	M26.5X1.0

品號第三碼表示年度碼  
PGF為2015, PGG為2016, PGH為2017, 以此類推

項目	成品品號	外管替換料品號	煞車軸	優力膠下座	規格說明
1	PGX038AB	M5GFRYCI-0000	M5FKD-2723-000	M5GAEJC155	有軸、行程50mm、總高460mm
2	PGX038AC			M5GAEJC165	有軸、行程60mm、總高470mm
4	PGX039AB	M5GFRYCI-1000	不使用	M5GAEJC155	無軸、行程50mm、總高460mm
5	PGX039AC			M5GAEJC165	無軸、行程60mm、總高470mm

Bill of material									
MATERIAL	Assembly	QTY	1		MODEL	NOVA T(50/60)			
UNIT	MM	SCALE	0.700		DRAW NO	PGX038AC	rev.	1.0	
FASHING	TREAT								
DESIGN	DRAWING	CHECK	CONFIG	APPE	NAME	爆炸圖			
RST									