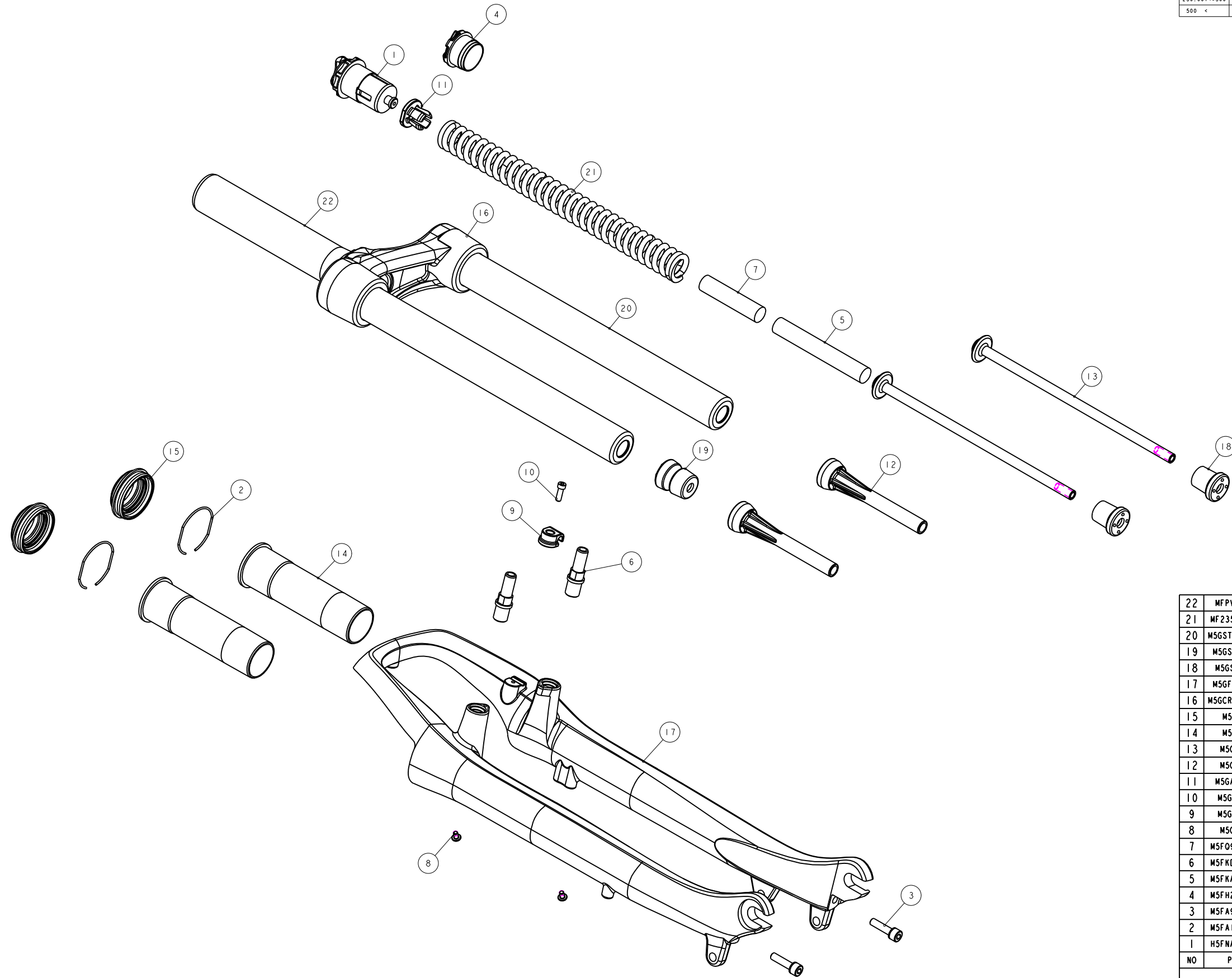


機械加工尺寸一般容許公差					REV.	DATE	DESCRIPTION	CHANGER	CHECK
尺寸	長度	尺寸	孔徑	軸徑					
1 <= 10	±0.2	1 <= 10	+0.2 -0.3	+0 -0.2					
10.001 <= 100	±0.3	10.001 <= 100	+0.3 -0.4	+0 -0.3					
100.001 <= 250	±0.5	100.001 <= 250	+0.5 -0.6	+0 -0.5					
250.001 <= 500	±0.8	250.001 <= 500	+1.0 -1.0	+1.0 -1.0					
500 <	±1.3	500 <	+1.5 -1.5	+1.5 -1.5					



品號第三碼表示年度碼
PGF為2015, PGG為2016, PGH為2017, 以此類推

成品品號	優力膠下座	規格備註
PGX042AB	M5GAEJC170	行程50·總高460
PGX042AC	M5GAEJC180	行程60·總高470

22	MFPV-286-100	PART	轉向管	Sleerer	1	±28.6
21	MF2350-220-145	PART	彈簧	Spring	1	220L
20	M5GSTAB1270A000	PART	內管	Stanchion	2	±25.4
19	M5GSPB-503-40	PART	緩衝墊	Top-Out Bumper	1	Φ40
18	M5GSPB-420-5	PART	緩衝墊	Top-Out Bumper	2	20L
17	M5GFRX01-0000	PART	外管(10'NEON)		1	pitch112
16	M5GCR71DAGA2000	PART	壓鑄頭管座	Crown	1	
15	M5GBHBC2	PART	油封		2	∅35.6x∅35.1x6H
14	M5GBHOABB	PART	長型膠襯套		2	100L
13	M5GAEJC180	PART	優力膠下座	Compression Rod	2	180L
12	M5GAECB090	PART	外管座	bottom_out space	2	±7.2x±10x90L
11	M5GAE-0PB021	PART	彈簧座	Spring Guide	1	
10	M5GAC9-1004	PART	圓頭內六角螺栓	HEX Bolts	1	M3X0.5X10L
9	M5GAC8-0731	PART	錯式固定夾	Wire Clip	1	For M3x0.5
8	M5GAC01108	PART	導線螺栓	bolt	2	M3X0.5
7	M5FQ9-2310-000	PART	定距橡皮	Top-Out Bumper	1	±12x52L Hs40M
6	M5FKD-2723-000	PART	煞車軸	pivot	2	M10x1.25
5	M5FKA-2311-000	PART	定距橡皮	Top-Out Bumper	1	±12x82L Hs40M
4	M5FH2-2340-000	PART	防塵蓋	Dust cap	1	PVC
3	M5FA9-2Y11-100	PART	圓頭內六角螺栓	bolt	2	M5X0.8
2	M5FA1-2Y71-000	PART	C形扣環		2	∅37x∅1.2
1	H5FNA-2162-100	ASSEMBLY	調整座組	Adjuster Assembly	1	M23.5x1.0
NO	PART NO	TYPE	CHINESE NAME	ENGLISH NAME	QTY	NOTE

Bill of material

MATERIAL	ASSEMBLY	Q'TY	1	MODEL	NEON-T 700C (50/60)		
UNIT	MM	SCALE	0.700	DRAW NO	PGX042AC	rev.	1.0
FASHING		TREAT		NAME	爆炸圖		
DESIGN	DRAWING	CHECK	CONFIG	APPE	RST		