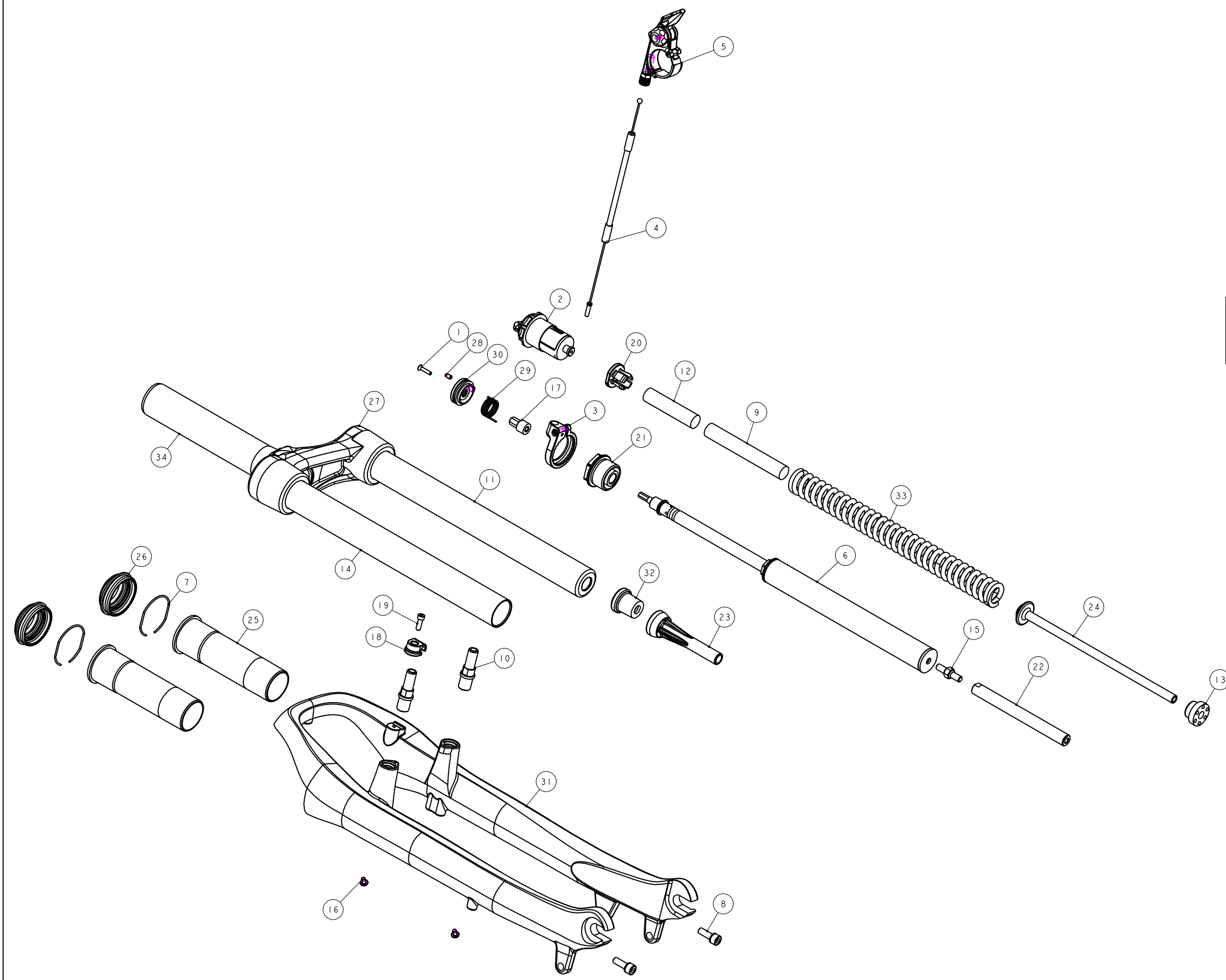


機械加工尺寸一般容許公差					REV.	DATE	DESCRIPTION	CHANGER	CHECK
尺寸	長度	尺寸	孔徑	軸徑					
1 < 10	±0.2	1 < 10	+0.2 -0.3	+0.2 -0.2					
10.001 < 100	±0.3	10.001 < 100	+0.3 -0.4	+0.3 -0.3					
100.001 < 250	±0.5	100.001 < 250	+0.5 -0.6	+0.5 -0.5					
250.001 < 500	±0.8	250.001 < 500	+0.8 -1.0	+0.8 -0.8					
500 <	±1.3	500 <	+1.3 -1.5	+1.3 -1.3					

品號第三碼表示年度碼  
PGF為2015, PGG為2016, PGH為2017, 以此類推

品號	替換料件	變更下座	差異性
PGX043CD	M5FKA-2311-000 x1pcs M5FQ9-2310-000 x1pcs	M5GAEJC165	行程75
PGX043CB	M5FKA-2311-000 x2pcs	M5GAEJC140	行程50



34	MFPV-286-100	PART	轉向管	Steerer	1	ø28.6
33	MF2350-220-145	PART	彈簧	Spring	1	220L
32	M5GSPB-420-5	PART	緩衝墊	Top-Out Bumper	1	20L
31	M5GFRX14-0000	PART	外管(11'NEON)		1	pitch112
30	M5GDPAK03	PART	線控旋轉鈕	Turn Base	1	8h
29	M5GDP7ARL-020	PART	鈕簧	Corkscrew Coil Spring	1	20h
28	M5GDP7ARL-013	PART	止付螺絲	Grub screw	1	M3X5L
27	M5GCR71DAGA2000	PART	壓縮管座	Crown	1	
26	M5GBHCBC2	PART	油封		2	ø35.6xø35.1x6h
25	M5GBHOABB	PART	長塑膠襯套		2	100L
24	M5GAEJC165	PART	壓力膠下座	Compression Rod	1	165L
23	M5GAEBC070	PART	外管座	bottom_out space	1	ø7.2xø10x70L
22	M5GAEJC100	PART	內螺紋接管	Box thread control	1	M5X0.8-105L
21	M5GAE0DA235	PART	TNL固定座	TNL anchorage	1	M23.5x1.0
20	M5GAE-0PB021	PART	彈簧座	Spring Guide	1	
19	M5GAC9-1004	PART	圓頭內六角螺絲	HEX Bolts	1	M3X0.5X10L
18	M5GAC8-0731	PART	鑄式固定夾	Wire Clip	1	For M3x0.5
17	M5GAC8-0404	PART	導套	Switch Stand	1	14.8L
16	M5GAC01108	PART	導線螺絲	bolt	2	M3X0.5
15	M5FUE-2Y14-005	PART	螺絲接桿	Shank	1	2-M5X0.8
14	M5FUE-2881-000	PART	內管(研磨,電鍍)	Stanchion	1	260L
13	M5FQB-2310-000	PART	緩衝墊	Top-Out Bumper	1	
12	M5FQ9-2310-000	PART	定距橡皮	Top-Out Bumper	1	ø12x52L Hs40M
11	M5FP7-2880-000	PART	內管	Stanchion	1	ø25.4x260L
10	M5FKD-2723-000	PART	煞車軸	pivot	2	M10X1.25
9	M5FKA-2311-000	PART	定距橡皮	Top-Out Bumper	1	ø12x82L Hs40M
8	M5FA2-2Y12-100	PART	圓頭內六角螺絲	HEX Bolts	2	M5x0.8x15L
7	M5FA1-2Y71-000	PART	C形扣環		2	ø31xø1.2
6	H5GDPFBK12	ASSEMBLY	5' TNL 鎖死棒(雙線牙槽)	rel lock-out Cartridge	1	øM120
5	H5GDPDAR3	ASSEMBLY	TRL 撥桿組(鋅合金)	Tiny Remote Lockout	1	
4	H5GDPCARL3-1	ASSEMBLY	12' RL 煞車線外線組	Remote Outline Assembly	1	
3	H5GDPBARL6	ASSEMBLY	08' RL 扣環組(高級)	Remote Outline Base	1	
2	H5FNA-2162-100	ASSEMBLY	調整座組 2006	Adjuster Assembly	1	M23.5x1.0
1	1022A-02512C-B	PART	六角承窩螺絲(黑)	HEX BOLT	1	M2.5x0.45
NO	PART NO	TYPE	CHINESE NAME	ENGLISH NAME	QTY	NOTE

Bill of material

MATERIAL	Assembly	QTY	1	MODEL	NEON-RL 26" (75/50)
UNIT	MM	SCALE	0.600	DRAW NO	PGX043CD rev. 1.0
FASHING		TREAT		NAME	爆炸圖
DESIGN	DRAWING	CHECK	CONFIG	APPE	RST