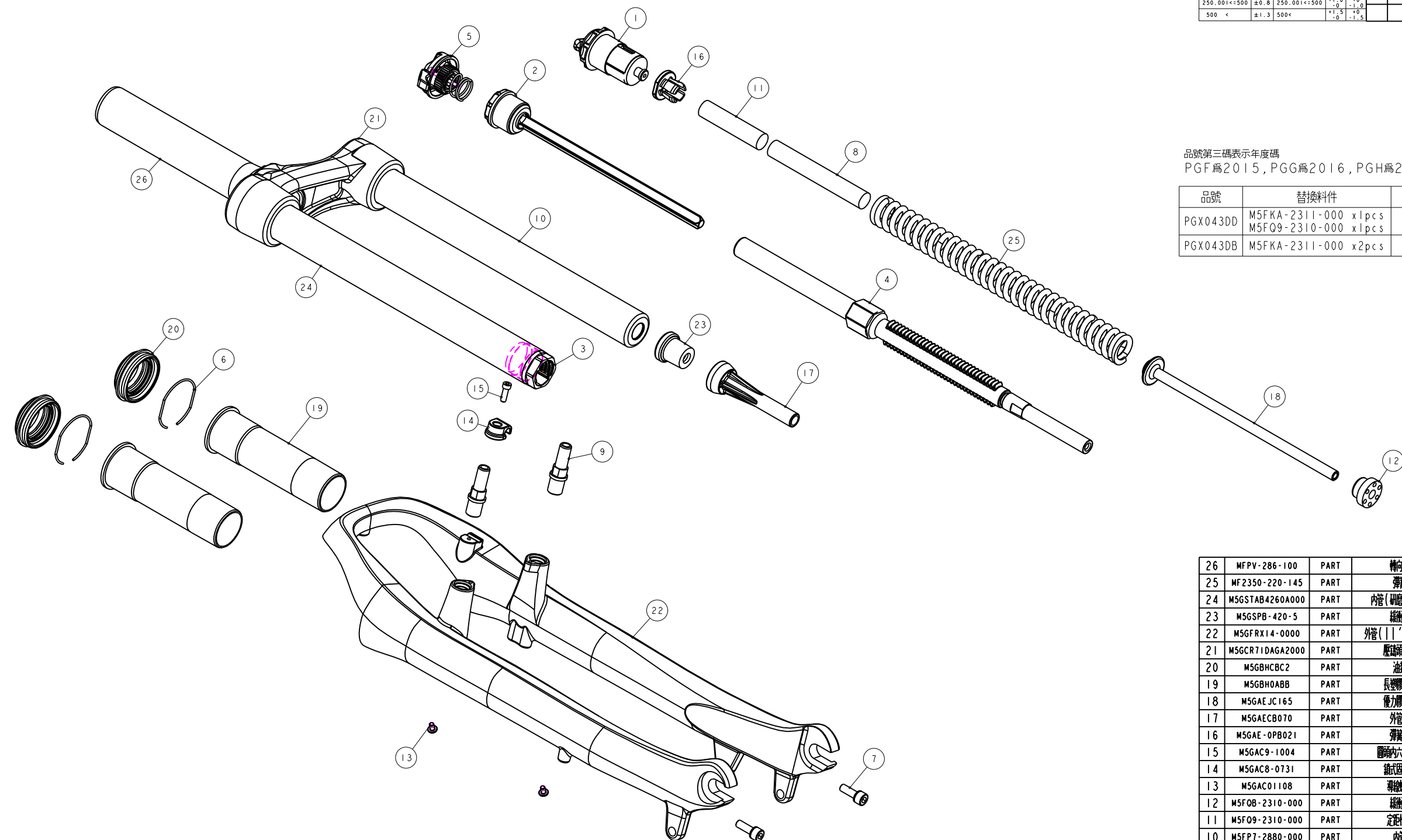


機械加工尺寸一般容許公差					REV.	DATE	DESCRIPTION	CHANGER	CHECK
尺寸	長寬高	尺寸	孔徑	軸徑					
1 < 10	±0.2	1 < 10	+0.2 -0.2	+0.2 -0.2					
10.001 < 100	±0.3	10.001 < 100	+0.3 -0.3	+0.3 -0.3					
100.001 < 250	±0.5	100.001 < 250	+0.5 -0.5	+0.5 -0.5					
250.001 < 500	±0.8	250.001 < 500	+1.0 -1.0	+1.0 -1.0					
500 <	±1.3	500 <	+1.5 -1.5	+1.5 -1.5					

品號第三碼表示年度碼
PGF為2015, PGG為2016, PGH為2017, 以此類推

品號	替換料件	變更下座	差異性
PGX043DD	M5FKA-2311-000 x1pcs M5FQ9-2310-000 x1pcs	M5GAEJC165	行程75
PGX043DB	M5FKA-2311-000 x2pcs	M5GAEJC140	行程50



26	MFPV-286-100	PART	轉向管	Steerer	1	φ28.6
25	MF2350-220-145	PART	彈簧	Spring	1	220L
24	M5GSTAB4260A000	PART	內管(調整, 電鍍)	Slanchion	1	260L
23	M5GSPB-420-5	PART	緩衝墊	Top-Out Bumper	1	20L
22	M5GFRX14-0000	PART	外管(11'NEON)		1	pitch112
21	M5GCR71DAGA2000	PART	壓油管座	Crown	1	
20	M5GBHCBC2	PART	油封		2	φ35.6xφ35.1x6H
19	M5GBHOABB	PART	長套膠襯套		2	100L
18	M5GAEJC165	PART	壓力膠下座	Compression Rod	1	165L
17	M5GAEBCB070	PART	外管座	bottom.out space	1	φ7.2xφ10x70L
16	M5GAE-0PB021	PART	彈簧座	Spring Guide	1	
15	M5GAC9-1004	PART	圓頭內六角螺絲	HEX Bolts	1	M3X0.5X10L
14	M5GAC8-0731	PART	鎖式固定夾	Wire Clip	1	For M3x0.5
13	M5GAC01108	PART	導線螺絲	bolt	2	M3X0.5
12	M5FQB-2310-000	PART	緩衝墊	Top-Out Bumper	1	
11	M5FQ9-2310-000	PART	定距橡皮	Top-Out Bumper	1	φ12X52L Hs40M
10	M5FP7-2880-000	PART	內管	Slanchion	1	φ25.4X260L
9	M5FKD-2723-000	PART	煞車軸	pivot	2	M10X1.25
8	M5FKA-2311-000	PART	定距橡皮	Top-Out Bumper	1	φ12X82L Hs40M
7	M5FA2-2Y12-100	PART	圓頭內六角螺絲	HEX Bolts	2	M5x0.8x15L
6	M5FA1-2Y71-000	PART	C形扣環		2	φ37xφ1.2
5	H5GMLC-007-254	ASSEMBLY	旋轉蓋組	Cap Assembly	1	
4	H5GML-005-72-1	ASSEMBLY	齒輪組(含外管座)	Hypoid Assembly	1	
3	H5GML-003-5	ASSEMBLY	鎖死內管下座組	LOCK OUT	1	
2	H5GML-002-5	ASSEMBLY	調整組(φ25.4)	Fixed Guide Assembly	1	
1	H5FNA-2162-100	ASSEMBLY	調整座組 2006	Adjuster Assembly	1	M23.5x1.0
NO	PART NO	TYPE	CHINESE NAME	ENGLISH NAME	QTY	NOTE

Bill of material

MATERIAL	Assembly	QTY	1	MODEL	NEON-ML 26" (75/50)		
UNIT	MM	SCALE	0.700	DRAW NO	PGX043DD	rev.	1.0
FASHING		TREAT		NAME	爆炸圖		
DESIGN	DRAWING	CHECK	CONFIG	APPE	RST		