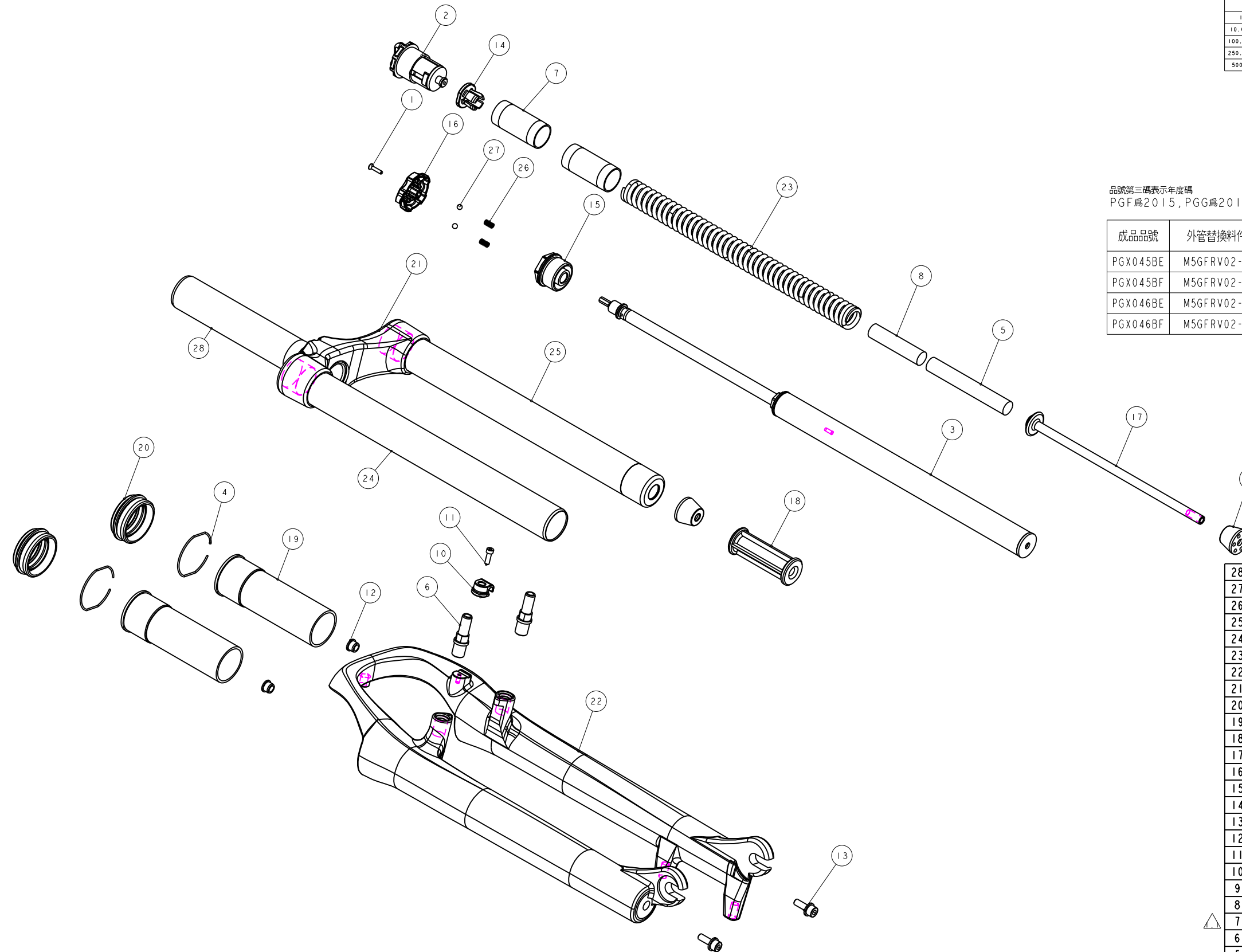


機械加工尺寸一般容許公差					REV.	DATE	DESCRIPTION	CHANGER	CHECK
尺寸	長度	尺寸	孔徑	軸徑	△	30 MAR'15	M5FNL-2311-000數量改碼2	許智強	
1 << 10	±0.2	1 << 10	+0.2 -0.2	+0 -0.2					
10.001 << 100	±0.3	10.001 << 100	+0.3 -0.3	+0 -0.3					
100.001 << 250	±0.5	100.001 << 250	+0.5 -0.5	+0 -0.5					
250.001 << 500	±0.8	250.001 << 500	+1.0 -1.0	+1.0 -1.0					
500 <	±1.3	500 <	+1.5 -1.5	+1.5 -1.5					

品號第三碼表示年度碼
PGF為2015, PGG為2016, PGH為2017, 以此類推

成品品號	外管替換料件品號	煞車軸	優力膠下座替換料件品號	規格備註
PGX045BE	M5GFRV02-0000	M5FKD-2723-000	M5GAEJC160	有軸·行程80·總高460
PGX045BF	M5GFRV02-0000	M5FKD-2723-000	M5GAEJC180	有軸·行程100·總高480
PGX046BE	M5GFRV02-1000	不使用	M5GAEJC160	無軸·行程80·總高460
PGX046BF	M5GFRV02-1000	不使用	M5GAEJC180	無軸·行程100·總高480



28	MFPV-286-100	PART	軸端	Steerer	1	φ28.6
27	M5K43-2730-000	PART	鋼球	Steel ball	2	φ4
26	M5K43-2351-000	PART	彈簧	Spring	2	Pitch 0.85
25	M5GSTAC1283A200	PART	簧		1	φ28.6x283L
24	M5GSTAC0283A200	PART	簧		1	φ28.6x283
23	M5GSP01024-100	PART	簧		1	φ2.8x16x150L
22	M5GFRV02-0000	PART	15' GILA 650B(軸)	Castling	1	PITCH125
21	M5GCR9-EBGA2000	PART	P125(軸) (For FIRST 24')	Crown	1	P125,28.6
20	M5GBHCC2	ASSEMBLY	油封	oil seal	2	φ37.6
19	M5GBH9ACB2	PART	軸套	Bush	2	100L
18	M5GAEJB60	PART	外管	Bottom-Out spacer	1	60L
17	M5GAEJC180	PART	壓縮桿	Compression Rod	1	180L
16	M5GAE8TZ-2	PART	鎖緊帽	Lock out adjust cap	1	
15	M5GAEODA25	PART	DT(軸) (DA, TNL(軸))	DT anchorage	1	
14	M5GAE-0PB021	PART	彈簧	Spring Guide	1	
13	M5GACC0617-01	PART	螺絲	bolt	2	M5x15L
12	M5GACC0603-01	PART	螺絲	ADAPTER	2	
11	M5GAC9-1004	PART	螺絲	HEX Bolts	1	M3x0.5x10L
10	M5GAC8-0731	PART	鋼絲夾	Wire Clip	1	For M3x0.5
9	M5FQS-2310-000	PART	限位	Top-Out Bumper	2	15L
8	M5FQ9-2310-000	PART	限位	Top-Out Bumper	1	φ12x52L Hs40M
7	M5FNL-2311-000	PART	彈簧套	Spring Sheath	2	TBD
6	M5FKD-2723-000	PART	軸	pivot	2	M10x1.25
5	M5FKA-2311-000	PART	限位	Top-Out Bumper	1	φ12x82L Hs40M
4	M5FHJ-2Y70-000	PART	環	RETAINING RING	2	TBD
3	H5GDPFBK10	ASSEMBLY	TNL(軸) (雙螺絲)	Travel lock-out Cartridge	1	
2	H5FNM-2163-300	ASSEMBLY	調整器 2006	Adjuster Assembly	1	
1	1022A-02512C-B	PART	六角螺絲(螺)	HEX BOLT	1	M2.5x0.45
NO	PART NO	TYPE	CHINESE NAME	ENGLISH NAME	QTY	NOTE

Bill of material

MATERIAL	Assembly	QTY	1	MODEL	GILA 27.5 TNL (80/100)	
UNIT	MM	SCALE	0.600	DRAW NO	PGX045BF	rev. 1.1
FASHING		TREAT		NAME	爆炸圖	
DESIGN	DRAWING	CHECK	CONFIG	APPE	RST	