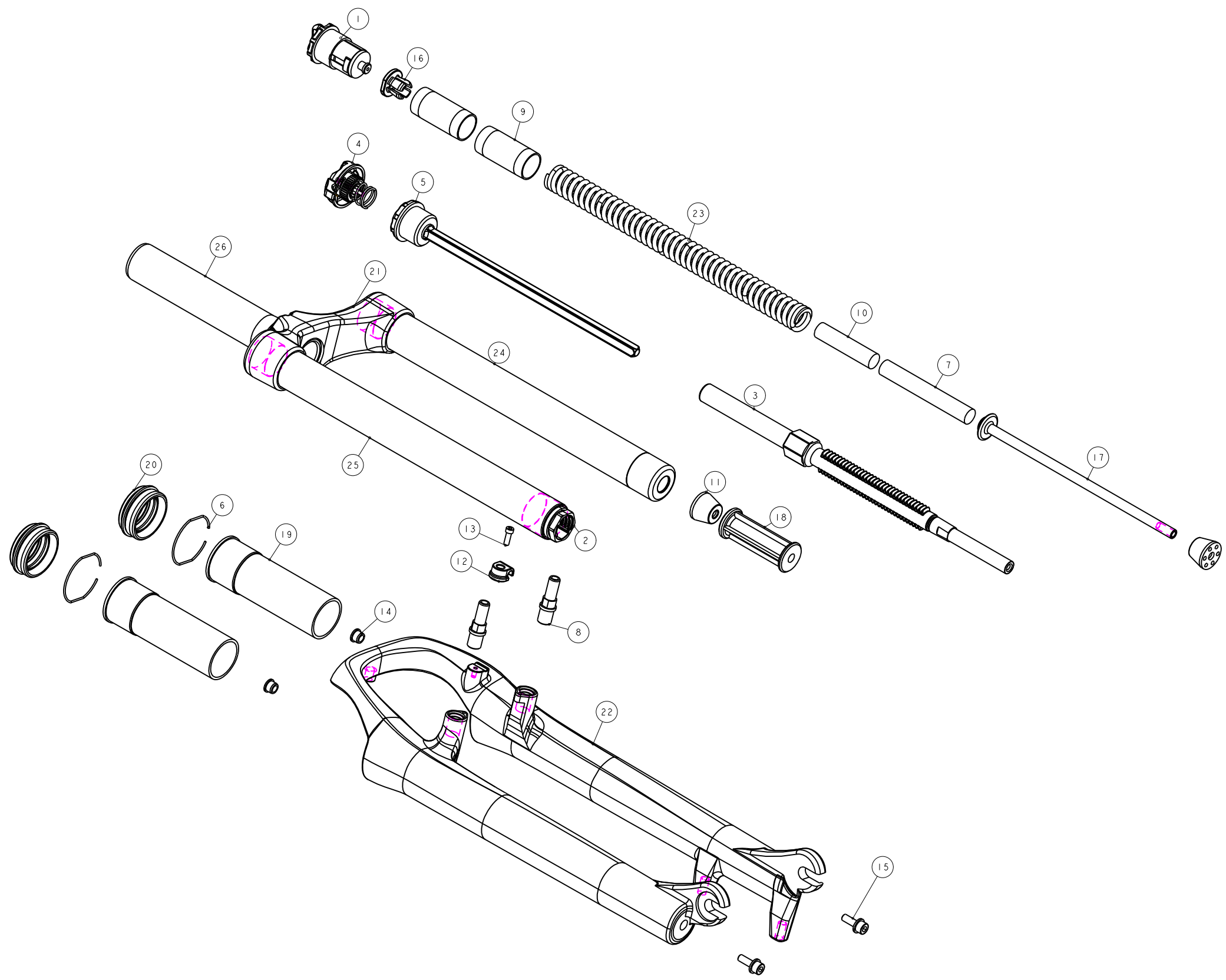


| 機械加工尺寸一般容許公差 | | | | | REV. | DATE | DESCRIPTION | CHANGER | CHECK |
|----------------|------|----------------|--------------|--------------|------|------------|-----------------------------|---------|-------|
| 尺寸 | 長寬高 | 尺寸 | 孔徑 | 軸徑 | △ | 12 MAY '14 | M5GSPB-415-8-M5FOS-2310-000 | 許智強 | |
| 1 <= 10 | ±0.2 | 1 <= 10 | +0.2 -0.3 | +0.2 -0.2 | △ | 30 MAR '15 | M5FNL-2311-000數量改兩2 | 許智強 | |
| 10.001 <= 100 | ±0.3 | 10.001 <= 100 | +0.3 -0.3 | +0.3 -0.3 | | | | | |
| 100.001 <= 250 | ±0.5 | 100.001 <= 250 | +0.5 -0.5 | +0.5 -0.5 | | | | | |
| 250.001 <= 500 | ±0.8 | 250.001 <= 500 | +1.0 -1.0 | +1.0 -1.0 | | | | | |
| 500 < | ±1.3 | 500 < | +1.5 -1.5 | +1.5 -1.5 | | | | | |



品號第三碼表示年度碼
PGF 為 2015, PGG 為 2016, PGH 為 2017, 以此類推

| 成品品號 | 外管替換料件品號 | 煞車軸 | 優力膠下座替換料件品號 | 齒輪棒組替換料件品號 | 規格備註 |
|----------|---------------|----------------|-------------|----------------|----------------|
| PGX045DE | M5GFRV02-0000 | M5FKD-2723-000 | M5GAE JC160 | H5GML-005-75-2 | 有軸·行程80·總高460 |
| PGX045DF | M5GFRV02-0000 | M5FKD-2723-000 | M5GAE JC180 | H5GML-005-75-3 | 有軸·行程100·總高480 |
| PGX046DE | M5GFRV02-1000 | 不使用 | M5GAE JC160 | H5GML-005-75-2 | 無軸·行程80·總高460 |
| PGX046DF | M5GFRV02-1000 | 不使用 | M5GAE JC180 | H5GML-005-75-3 | 無軸·行程100·總高480 |

| NO | PART NO | TYPE | CHINESE NAME | ENGLISH NAME | QTY | NOTE |
|----|-----------------|----------|------------------------|----------------------|-----|---------------|
| 26 | MFPV-286-100 | PART | 轉臂 | Steerer | 1 | φ28.6 |
| 25 | M5GSTAC4283A200 | PART | 軸(轉, 轉, 軸) | | 1 | φ28.6x283L |
| 24 | M5GSTAC1283A200 | PART | 軸 | | 1 | φ28.6x283L |
| 23 | M5GSP01024-100 | PART | 彈簧 | | 1 | φ2.6x16x150L |
| 22 | M5GFRV02-0000 | PART | 15' GILA 650B轉(轉) | Castling | 1 | PITCH125 |
| 21 | M5GCR9-EBGA2000 | PART | P125轉頭 (For FIRST 24") | Crown | 1 | P125, 28.6 |
| 20 | M5GBHCCC2 | ASSEMBLY | 油封 | oil seal | 2 | φ37.6 |
| 19 | M5GBH9ACB2 | PART | 長膠圈 | Bush | 2 | 100L |
| 18 | M5GAMB60 | PART | 外管座 | Bottom-Out spacer | 1 | 60L |
| 17 | M5GAE JC180 | PART | 壓力桿 | Compression Rod | 1 | 180L |
| 16 | M5GAE-0PB021 | PART | 彈簧座 | Spring Guide | 1 | |
| 15 | M5GACC0617-01 | PART | 螺絲六角螺絲 | bolt | 2 | M5X15L |
| 14 | M5GACC0603-01 | PART | 帽螺絲 | ADAPTER | 2 | |
| 13 | M5GAC9-1004 | PART | 螺絲六角螺絲 | HEX Bolts | 1 | M310.S110L |
| 12 | M5GACB-0731 | PART | 線圈夾 | Wire Clip | 1 | For M3x0.5 |
| 11 | M5FOS-2310-000 | PART | 頂墊 | Top-Out Bumper | 2 | 15L |
| 10 | M5FQ9-2310-000 | PART | 定程板 | Top-Out Bumper | 1 | φ12x52L Hs40M |
| 9 | M5FNL-2311-000 | PART | 彈簧套 | Spring Sheath | 2 | TBD |
| 8 | M5FKD-2723-000 | PART | 軸 | pivot | 2 | M10x1.25 |
| 7 | M5FKA-2311-000 | PART | 定程板 | Top-Out Bumper | 1 | φ12x52L Hs40M |
| 6 | M5FHJ-2Y70-000 | PART | C型圈 | RETAINING RING | 2 | TBD |
| 5 | H5GMLF-009-25 | ASSEMBLY | 固定座(φ26.5) | Fixed Guide Assembly | 1 | |
| 4 | H5GMLC-007-286 | ASSEMBLY | 頂蓋 | Cap Assembly | 1 | |
| 3 | H5GML-005-75-3 | ASSEMBLY | 齒輪棒組(含彈簧) | Hypoid Assembly | 1 | |
| 2 | H5GML-003-8 | ASSEMBLY | 28.6內管座下座(轉) | Lock-Out Spacer | 1 | |
| 1 | H5FNM-2163-300 | ASSEMBLY | 調整器 2006 | Adjuster Assembly | 1 | |

| Bill of material | | | | | | |
|------------------|----------|-------|--------|---------|----------------------|----------|
| MATERIAL | Assembly | QTY | 1 | MODEL | GILA 27.5 ML(80/100) | |
| UNIT | MM | SCALE | 0.650 | DRAW NO | PGX045DF | rev. 1.2 |
| FASHING | | TREAT | | NAME | 爆炸圖 | |
| DESIGN | DRAWING | CHECK | CONFIG | APPE | RST | |