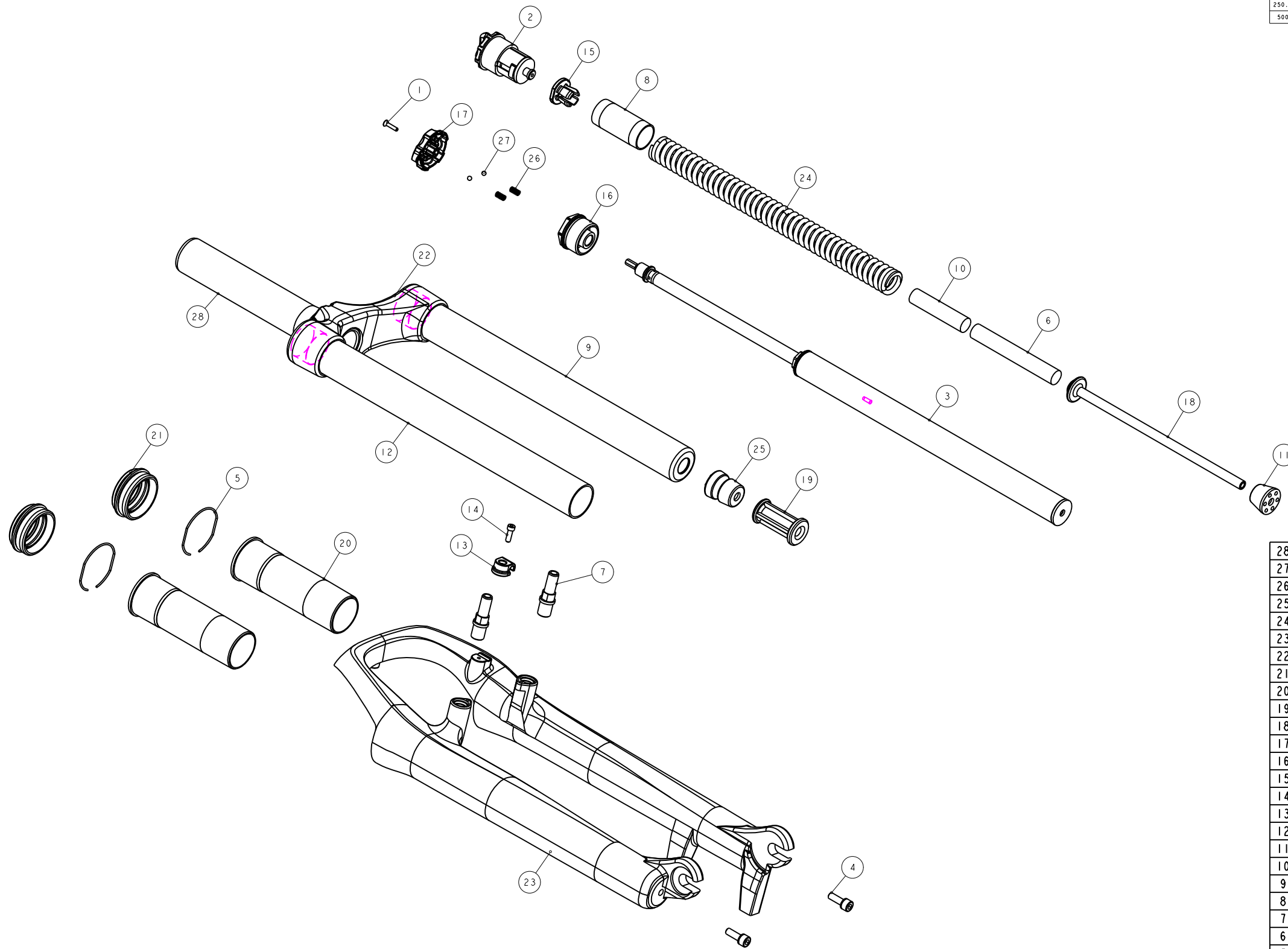


機械加工尺寸一般容許公差					REV.	DATE	DESCRIPTION	CHANGER	CHECK
尺寸	長度	尺寸	孔徑	軸徑					
1 < 10	±0.2	1 < 10	+0.2 -0.2	+0.2 -0.2					
10.001 < 100	±0.3	10.001 < 100	+0.3 -0.3	+0.3 -0.3					
100.001 < 250	±0.5	100.001 < 250	+0.5 -0.5	+0.5 -0.5					
250.001 < 500	±0.8	250.001 < 500	+1.0 -1.0	+1.0 -1.0					
500 <	±1.3	500 <	+1.5 -1.5	+1.5 -1.5					



品號第三碼表示年度碼
PGF為2015, PGG為2016, PGH為2017, 以此類推

成品品號	外管替換料件品號	煞車軸	優力膠下座替換料件品號	規格備註
PGX031BE	M5GFRV01-0000	M5FKD-2723-000	M5GAEJC150	有軸·行程80·總高460
PGX031BF	M5GFRV01-0000	M5FKD-2723-000	M5GAEJC170	有軸·行程100·總高480
PGX032BE	M5GFRV01-1000	不使用	M5GAEJC150	無軸·行程80·總高460
PGX032BF	M5GFRV01-1000	不使用	M5GAEJC170	無軸·行程100·總高480

NO	PART NO	TYPE	CHINESE NAME	ENGLISH NAME	QTY	NOTE
28	MFPV-286-100	PART	軸管	Steerer	1	φ28.6
27	M5K43-2730-000	PART	鋼球	Steel ball	2	φ4
26	M5K43-2351-000	PART	彈簧	Spring	2	Pitch 0.85
25	M5GSPB-503-65	PART	擋塊	Top-Out Bumper	1	φ66.5
24	M5GSP01024-100	PART	彈簧		1	φ2.8x16x150L
23	M5GFRV01-0000	PART	10" GILA 彈簧(有軸)	Coil Spring	1	PITCH125
22	M5GCR9-EBGA2000	PART	P125鋼球 (For FIRST 24")	Crown	1	P125, 28.6
21	M5GBHCC2	ASSEMBLY	油封	oil seal	2	φ37.6
20	M5GBHOACB	PART	塑膠套	Bushing(plastic)	2	100L
19	M5GAE MB40-1	PART	彈簧	Bottom-Out spacer	1	40L
18	M5GAEJC170	PART	彈簧彈力	Compression Rod	1	170L
17	M5GAE8TZ-2	PART	鎖緊帽	Lock out adjust cap	1	
16	M5GAE0DA265	PART	DT固定(DA, TNL專用)	DI anchorage	1	M26.5x1.0
15	M5GAE-0PB021	PART	彈簧	Spring Guide	1	
14	M5GAC9-1004	PART	六角螺絲	HEX Bolts	1	M310.5x10L
13	M5GAC8-0731	PART	鋼線夾	Wire Clip	1	For M310.5
12	M5FY4-2880-000	PART	彈簧(彈簧)	Slanchion	1	φ28.6
11	M5FQ9-2310-000	PART	擋塊	Top-Out Bumper	1	15L
10	M5FQ9-2310-000	PART	彈簧	Top-Out Bumper	1	φ12x52L Hs40M
9	M5FP5-2880-000	PART	彈簧	Slanchion	1	φ28.6
8	M5FNL-2311-000	PART	彈簧	Spring Sheath	1	TBD
7	M5FKD-2723-000	PART	彈簧	pivot	2	M10x1.25
6	M5FKA-2311-000	PART	彈簧	Top-Out Bumper	1	φ12x52L Hs40M
5	M5FHJ-2Y70-000	PART	彈簧	RETAINING RING	2	TBD
4	M5FA2-2Y12-100	PART	六角螺絲	HEX Bolts	2	M510.8x15L
3	H5GDPFBK10	ASSEMBLY	15" TNL 彈簧(彈簧)	Travel lock-out Cartridge	1	φ1120
2	H5FNM-2163-100	ASSEMBLY	彈簧 2006	Adjuster Assembly	1	M26.5x1.0
1	1022A-02512C-B	PART	六角螺絲(螺絲)	HEX BOLT	1	M2.5x0.45

Bill of material

MATERIAL	Assembly	QTY	1	MODEL	GILA26 TNL (80/100)		
UNIT	MM	SCALE	0.600	DRAW NO	PGX031BF	rev.	1.0
FASHING		TREAT		NAME 爆炸圖			
DESIGN	DRAWING	CHECK	CONFIG	APPE	RST		