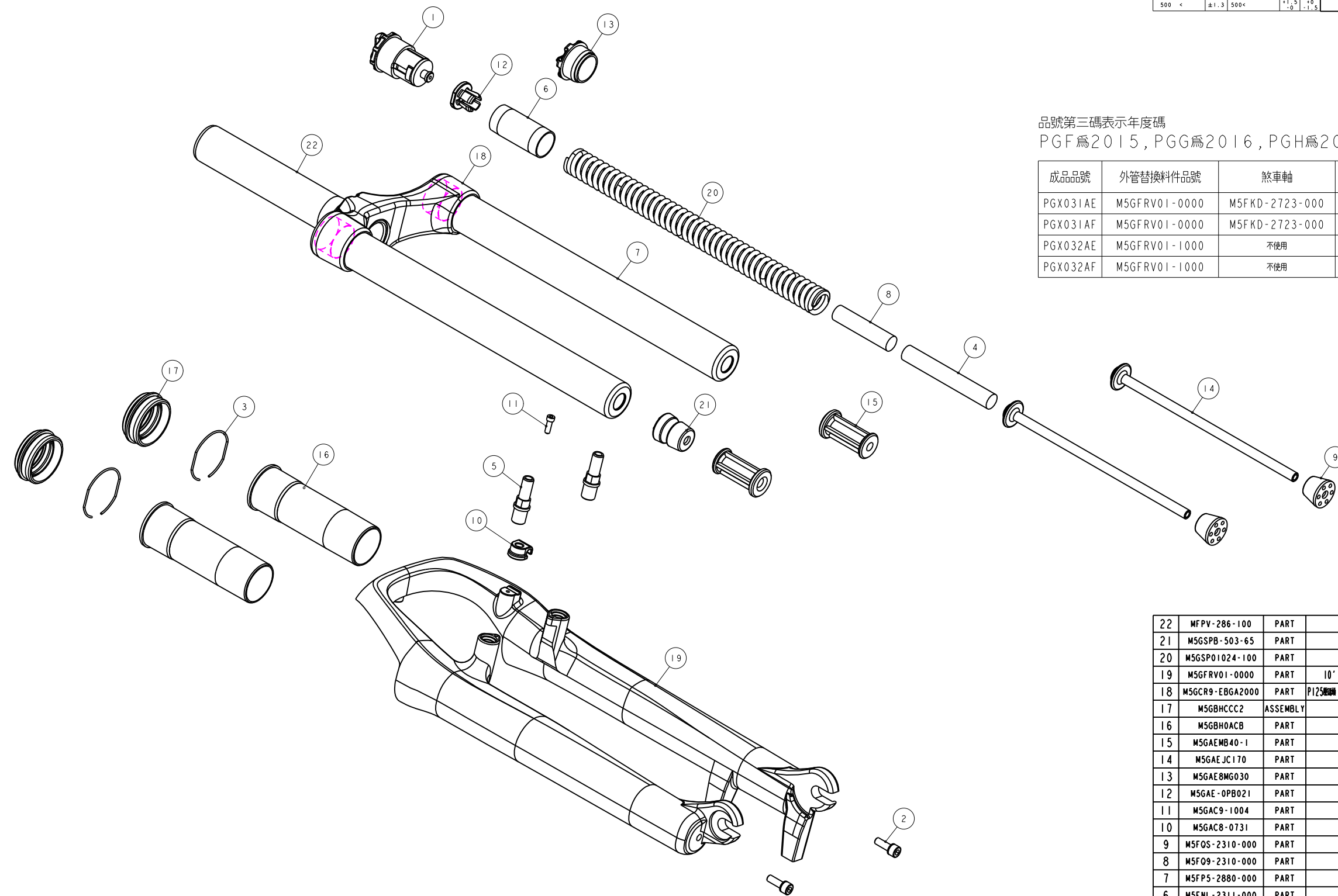


機械加工尺寸一般容許公差					REV.	DATE	DESCRIPTION	CHANGER	CHECK
尺寸	長寬高	尺寸	孔徑	軸徑					
1 < 10	±0.2	1 < 10	+0.2 -0.2	+0.2 -0.2					
10.001 < 100	±0.3	10.001 < 100	+0.3 -0.3	+0.3 -0.3					
100.001 < 250	±0.5	100.001 < 250	+0.5 -0.5	+0.5 -0.5					
250.001 < 500	±0.8	250.001 < 500	+1.0 -1.0	+1.0 -1.0					
500 <	±1.3	500 <	+1.5 -1.5	+1.5 -1.5					



品號第三碼表示年度碼
PGF為2015, PGG為2016, PGH為2017, 以此類推

成品品號	外管替換料件品號	煞車軸	優力膠下座替換料件品號	規格備註
PGX031AE	M5GFRV01-0000	M5FKD-2723-000	M5GAEJC150	有軸·行程80·總高460
PGX031AF	M5GFRV01-0000	M5FKD-2723-000	M5GAEJC170	有軸·行程100·總高480
PGX032AE	M5GFRV01-1000	不使用	M5GAEJC150	無軸·行程80·總高460
PGX032AF	M5GFRV01-1000	不使用	M5GAEJC170	無軸·行程100·總高480

22	MFPV-286-100	PART	軸管	Steerer	1	φ28.6
21	M5GSPB-503-65	PART	襯墊	Top-Out Bumper	1	φ65
20	M5GSP01024-100	PART	彈簧		1	φ2.81*16*150L
19	M5GFRV01-0000	PART	10" GILA 彈簧(每輛)	Coasting	1	PITCH125
18	M5GCR9-EBGA2000	PART	P125鋼圈 (For FIRST 24")	Crown	1	P125.28.6
17	M5GBHCCC2	ASSEMBLY	油封	oil seal	2	φ37.6
16	M5GBHOACB	PART	塑膠襯套	Bushing(plastic)	2	100L
15	M5GAEMB40-1	PART	限位	Bottom-Out spacer	2	40L
14	M5GAEJC170	PART	壓縮桿	Compression Rod	2	170L
13	M5GAE8MG030	PART	塵蓋	Dust cap	1	TBD
12	M5GAE-0PB021	PART	彈簧	Spring Guide	1	
11	M5GAC9-1004	PART	鋼球	HEX Bolts	1	M3*0.5*10L
10	M5GAC8-0731	PART	鋼線夾	Wire Clip	1	For M3*0.5
9	M5FQ9-2310-000	PART	襯墊	Top-Out Bumper	2	15L
8	M5FQ9-2310-000	PART	限位	Top-Out Bumper	1	φ12*52L Hs40H
7	M5FP5-2880-000	PART	彈簧	Slanchion	2	φ28.6
6	M5FNL-2311-000	PART	彈簧	Spring Sheath	1	TBD
5	M5FKD-2723-000	PART	彈簧	pivot	2	M10*1.25
4	M5FKA-2311-000	PART	限位	Top-Out Bumper	1	φ12*52L Hs40H
3	M5FHJ-2Y70-000	PART	彈簧	RETAINING RING	2	TBD
2	M5FA2-2Y12-100	PART	鋼球	HEX Bolts	2	M5*0.8*15L
1	H5FNM-2163-100	ASSEMBLY	調整器 2006	Adjuster Assembly	1	M26.5*1.0
NO	PART NO	TYPE	CHINESE NAME	ENGLISH NAME	QTY	NOTE

Bill of material

MATERIAL	Assembly	QTY	1	MODEL	GILA26 T(80/100)	
UNIT	MM	SCALE	0.650	DRAW NO	PGX031AF	rev. 1.0
FASHING		TREAT		NAME	爆炸圖	
DESIGN	DRAWING	CHECK	CONFIG	APPE	RST	