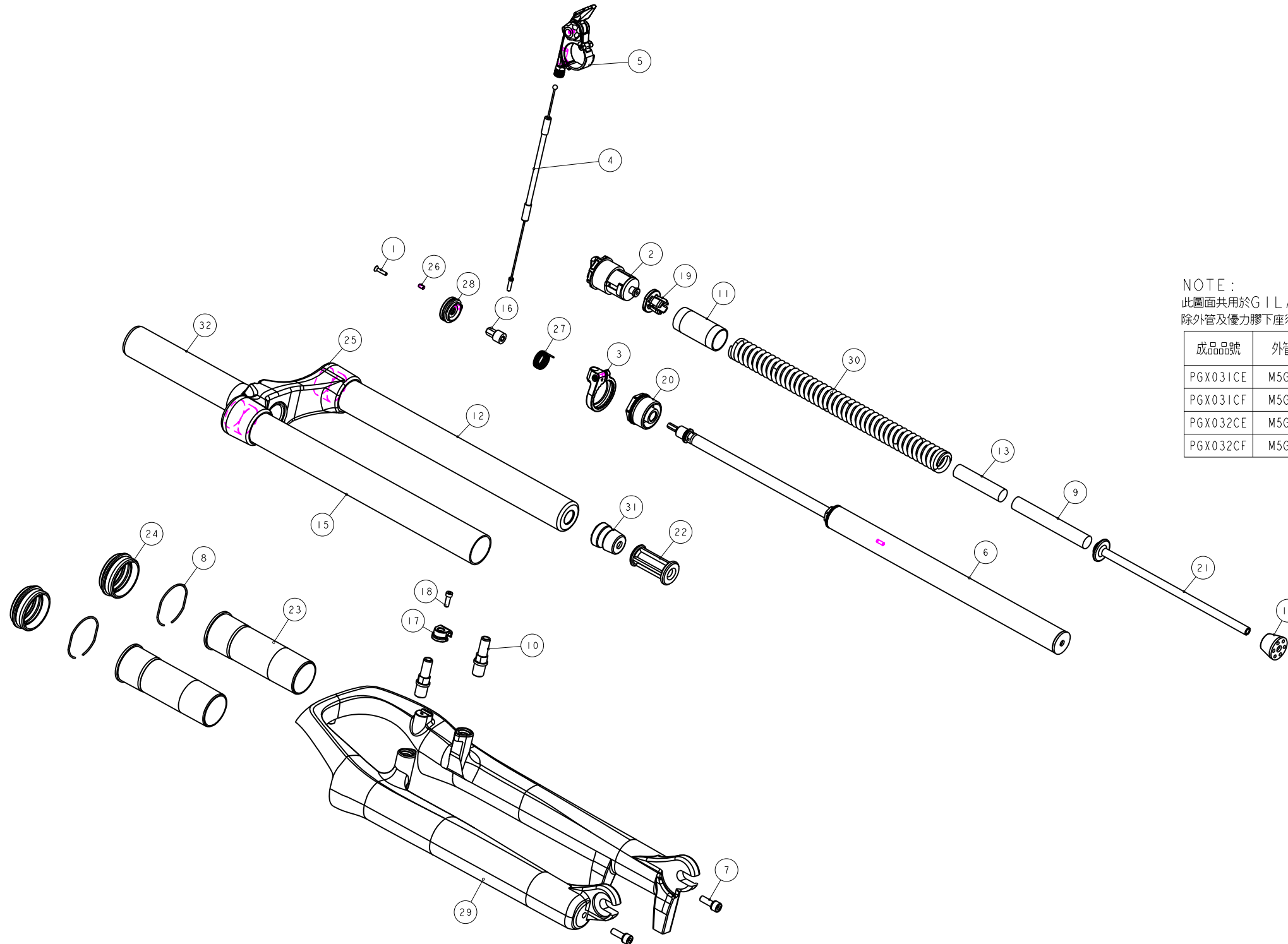


| 機械加工尺寸一般容許公差 | | | | | REV. | DATE | DESCRIPTION | CHANGER | CHECK |
|----------------|------|----------------|--------------|--------------|------|------|-------------|---------|-------|
| 尺寸 | 長寬高 | 尺寸 | 孔徑 | 軸徑 | | | | | |
| 1 << 10 | ±0.2 | 1 << 10 | +0.2 -0.3 | +0.2 -0.2 | | | | | |
| 10.001 << 100 | ±0.3 | 10.001 << 100 | +0.3 -0.4 | +0.3 -0.3 | | | | | |
| 100.001 << 250 | ±0.5 | 100.001 << 250 | +0.5 -0.6 | +0.5 -0.5 | | | | | |
| 250.001 << 500 | ±0.8 | 250.001 << 500 | +1.0 -1.0 | +1.0 -1.0 | | | | | |
| 500 < | ±1.3 | 500 < | +1.5 -1.5 | +1.5 -1.5 | | | | | |



NOTE:
此圖面共用於GILA RL 系列
除外管及優力膠下座須依列表作為替換外,其餘零件皆為共用

| 成品品號 | 外管替換料件品號 | 煞車軸 | 優力膠下座替換料件品號 | 規格備註 |
|----------|---------------|----------------|-------------|----------------|
| PGX03ICE | M5GFRV01-0000 | M5FKD-2723-000 | M5GAEJC150 | 有軸,行程80,總高460 |
| PGX03ICF | M5GFRV01-0000 | M5FKD-2723-000 | M5GAEJC170 | 有軸,行程100,總高480 |
| PGX032CE | M5GFRV01-1000 | 不使用 | M5GAEJC150 | 無軸,行程80,總高460 |
| PGX032CF | M5GFRV01-1000 | 不使用 | M5GAEJC170 | 無軸,行程100,總高480 |

| | | | | | | |
|----|-----------------|----------|------------------------|---------------------------|-----|---------------|
| 32 | MFPV-286-100 | PART | 軸管 | Sleerer | 1 | ±28.6 |
| 31 | M5GSPB-503-65 | PART | 緩衝 | Top-Out Bumper | 1 | ±65 |
| 30 | M5GSP01024-100 | PART | 彈簧 | | 1 | ±2.61±161150L |
| 29 | M5GFRV01-0000 | PART | 10" GILA 外管(軸) | Castling | 1 | PITCH125 |
| 28 | M5GDPAK03 | PART | 螺絲帽 | Turn Base | 1 | 8h |
| 27 | M5GDP7ARL-020 | PART | 彈簧 | Corkscrew Coil Spring | 1 | 20h |
| 26 | M5GDP7ARL-013 | PART | 止鎖螺絲 | Grub screw | 1 | M3X5L |
| 25 | M5GCR9-EBGA2000 | PART | P125螺絲 (For FIRST 24") | Crown | 1 | P125,28.6 |
| 24 | M5GBHCCC2 | ASSEMBLY | 油封 | oil seal | 2 | ±37.6 |
| 23 | M5GBH0ACB | PART | 長膠圈 | Bushing(plastic) | 2 | 100L |
| 22 | M5GAEMB40-1 | PART | 外管 | Bottom-Out spacer | 1 | 40L |
| 21 | M5GAEJC170 | PART | 壓力桿 | Compression Rod | 1 | 170L |
| 20 | M5GAE0DA265 | PART | DT螺絲 (DA, TNL專用) | DT anchorage | 1 | M26.5±1.0 |
| 19 | M5GAE-0PB021 | PART | 彈簧 | Spring Guide | 1 | |
| 18 | M5GAC9-1004 | PART | 六角螺絲 | HEX Bolts | 1 | M3X0.5X10L |
| 17 | M5GAC8-0731 | PART | 螺絲固定夾 | Wire Clip | 1 | For M3±0.5 |
| 16 | M5GAC8-0404 | PART | 彈簧 | Switch Stand | 1 | 14.8L |
| 15 | M5FY4-2880-000 | PART | 螺絲帽 (CP螺絲) | Stanchion | 1 | ±28.6 |
| 14 | M5FQ5-2310-000 | PART | 緩衝 | Top-Out Bumper | 1 | 15L |
| 13 | M5FQ9-2310-000 | PART | 定程緩衝 | Top-Out Bumper | 1 | ±12X52L Hs40M |
| 12 | M5FP5-2880-000 | PART | 內管 | Stanchion | 1 | ±28.6 |
| 11 | M5FNL-2311-000 | PART | 彈簧膠套 | Spring Sheath | 1 | 180 |
| 10 | M5FKD-2723-000 | PART | 煞車軸 | pivot | 2 | M10X1.25 |
| 9 | M5FKA-2311-000 | PART | 定程緩衝 | Top-Out Bumper | 1 | ±12X52L Hs40M |
| 8 | M5FHJ-2Y70-000 | PART | C螺絲 | RETAINING RING | 2 | 180 |
| 7 | M5FA2-2Y12-100 | PART | 六角螺絲 | HEX Bolts | 2 | M5±0.8±15L |
| 6 | H5GDPFBK10 | ASSEMBLY | 15"TNL螺絲(螺絲分蓋) | Travel lock-out Cartridge | 1 | ±1120 |
| 5 | H5GDPDAR3 | ASSEMBLY | TR螺絲(螺絲分蓋) | Tiny Remote Lockout | 1 | |
| 4 | H5GDPCARL3-1 | ASSEMBLY | 12"RL螺絲螺絲帽 | Remote Outline Assembly | 1 | |
| 3 | H5GDPBARL6 | ASSEMBLY | 08"RL螺絲(螺絲) | Remote Outline Base | 1 | |
| 2 | H5FNM-2163-100 | ASSEMBLY | 調整器 2006 | Adjuster Assembly | 1 | M26.5±1.0 |
| 1 | 1022A-02512C-B | PART | 六角螺絲(螺絲) | HEX BOLT | 1 | M2.5±0.45 |
| NO | PART NO | TYPE | CHINESE NAME | ENGLISH NAME | QTY | NOTE |

Bill of material

| | | | | | | |
|----------|----------|-------|--------|---------|--------------------|----------|
| MATERIAL | Assembly | QTY | 1 | MODEL | GILA26 RL (80/100) | |
| UNIT | MM | SCALE | 0.500 | DRAW NO | PGX03ICF | rev. 1.0 |
| FASHING | | TREAT | | NAME | 爆炸圖 | |
| DESIGN | DRAWING | CHECK | CONFIG | APPE | RST | |