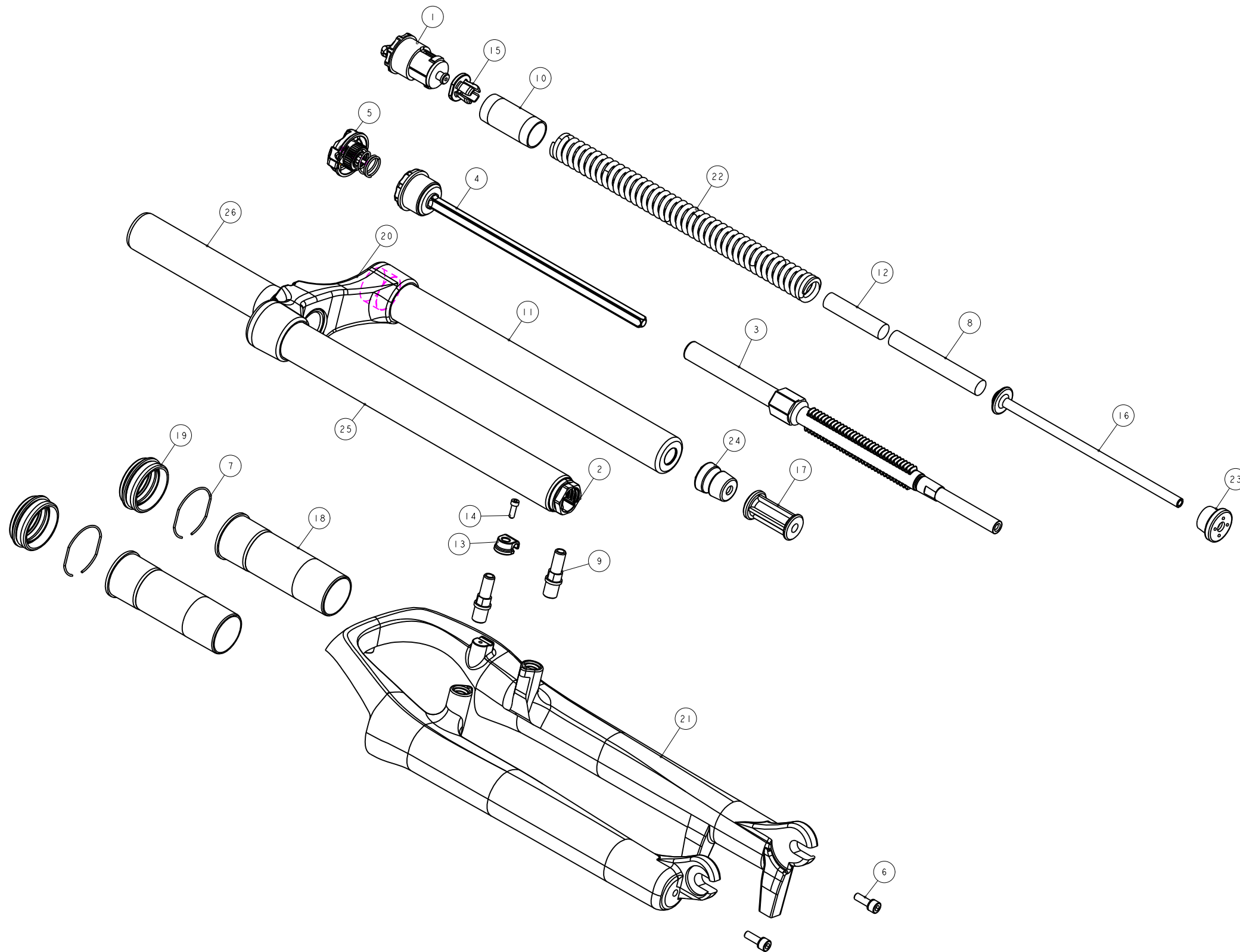


機械加工尺寸一般容許公差					REV.	DATE	DESCRIPTION	CHANGER	CHECK
尺寸	長寬高	尺寸	孔徑	軸徑					
1 <= 10	±0.2	1 <= 10	+0.2 -0.3	+0.2 -0.2					
10.001 <= 100	±0.3	10.001 <= 100	+0.3 -0.4	+0.3 -0.3					
100.001 <= 250	±0.5	100.001 <= 250	+0.5 -0.6	+0.5 -0.5					
250.001 <= 500	±0.8	250.001 <= 500	+1.0 -1.0	+1.0 -1.0					
500 <	±1.3	500 <	+1.5 -1.5	+1.5 -1.5					



品號第三碼表示年度碼
PGF為2015, PGG為2016, PGH為2017, 以此類推

成品品號	外管替換料件品號	煞車軸	優力膠下座替換料件品號	齒輪棒替換料件品號	規格備註
PGX031DE	M5GFRV01-0000	M5FKD-2723-000	M5GAEJC150	H5GML-005-75-2	有軸·行程80·總高460
PGX031DF	M5GFRV01-0000	M5FKD-2723-000	M5GAEJC170	H5GML-005-75-3	有軸·行程100·總高480
PGX032DE	M5GFRV01-1000	不使用	M5GAEJC150	H5GML-005-75-2	無軸·行程80·總高460
PGX032DF	M5GFRV01-1000	不使用	M5GAEJC170	H5GML-005-75-3	無軸·行程100·總高480

NO	PART NO	TYPE	CHINESE NAME	ENGLISH NAME	QTY	NOTE
26	MFPV-286-100	PART	轉臂	Steerer	1	±28.6
25	M5GSTAC4283A000	PART	內管(鋼,CP鋼)	Stanchion	1	±28.5±28.3L
24	M5GSPB-503-65	PART	鋼墊	Top-Out Bumper	1	±66.5
23	M5GSPB-415-8	PART	鋼墊	Top-Out Bumper	1	15L
22	M5GSP01024-100	PART	彈簧		1	±2.6±16±150L
21	M5GFRV01-0000	PART	10" GILA 外管(鋼)	Casting	1	PITCH125
20	M5GCR9-EBGA2000	PART	P125鋼圈 (For FIRST 24")	Crown	1	P125.28.6
19	M5GBHCCC2	ASSEMBLY	油封	oil seal	2	±31.6
18	M5GBHOACB	PART	長膠圈	Bushing(plastic)	2	100L
17	M5GAEMB40-1	PART	外管	Bottom-Out spacer	1	40L
16	M5GAEJC170	PART	壓力彈簧	Compression Rod	1	170L
15	M5GAE-OPB021	PART	鋼墊	Spring Guide	1	
14	M5GAC9-1004	PART	六角螺絲	HEX Bolts	1	M310.5X10L
13	M5GAC8-0731	PART	鋼線夾	Wire Clip	1	For M310.5
12	M5FQ9-2310-000	PART	鋼墊	Top-Out Bumper	1	±12±52L H540M
11	M5FPL5-2880-000	PART	內管	Stanchion	1	±28.6
10	M5FNL-2311-000	PART	彈簧套	Spring Sheath	1	100
9	M5FKD-2723-000	PART	車軸	pivot	2	M1011.25
8	M5FKA-2311-000	PART	鋼墊	Top-Out Bumper	1	±12±52L H540M
7	M5FHJ-2Y70-000	PART	C型環	RETAINING RING	2	100
6	M5FA2-2Y12-100	PART	六角螺絲	HEX Bolts	2	M510.8±15L
5	H5GMLC-007-286	ASSEMBLY	鋼圈	Cap Assembly	1	
4	H5GML8-002-200	ASSEMBLY	鋼圈(±26.5)	Fixed Guide Assembly	1	
3	H5GML-005-75-3	ASSEMBLY	齒輪棒(全膠)	Hypoid Assembly	1	
2	H5GML-003-8	ASSEMBLY	28.6內管(鋼)	Lock-Out Spacer	1	
1	H5FNM-2163-100	ASSEMBLY	調整器 2006	Adjuster Assembly	1	M26.5X1.0

Bill of material									
MATERIAL	Assembly	QTY	1	MODEL	GILA26 ML (80/100)				
UNIT	MM	SCALE	0.650	DRAW NO	PGX031DF	rev.	1.0		
FASHING		TREAT		NAME	爆炸圖				
DESIGN	DRAWING	CHECK	CONFIG	APPE	RST				