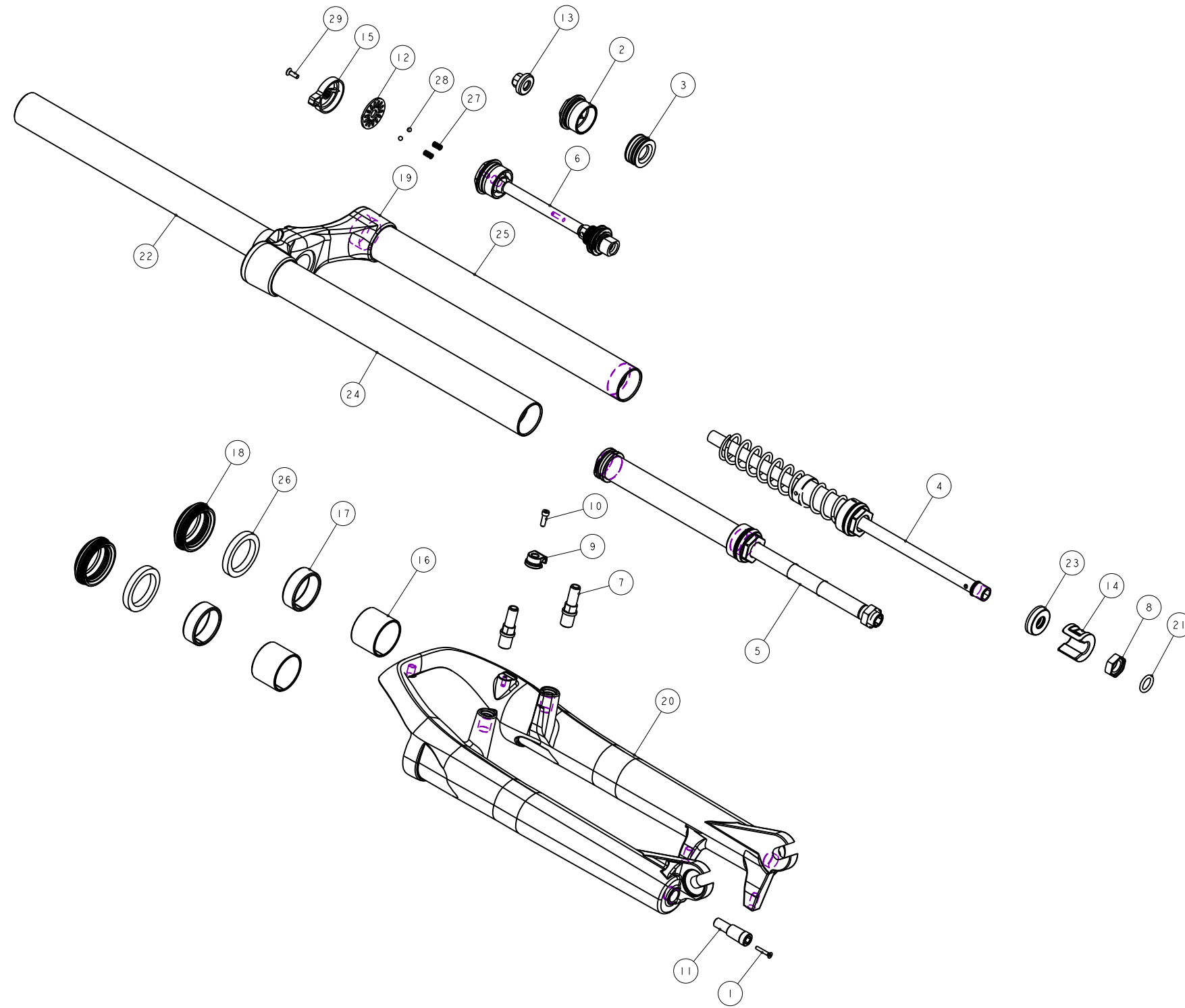


機械加工尺寸一般容許公差					REV.	DATE	DESCRIPTION	CHANGER	CHECK
尺寸	長度	尺寸	孔徑	軸徑					
1 <= 10	±0.2	1 <= 10	+0.2 -0.2	+0.2 -0.2					
10.001 <= 100	±0.3	10.001 <= 100	+0.3 -0.3	+0.3 -0.3					
100.001 <= 250	±0.5	100.001 <= 250	+0.5 -0.5	+0.5 -0.5					
250.001 <= 500	±0.8	250.001 <= 500	+1.0 -1.0	+1.0 -1.0					
500 <	±1.3	500 <	+1.5 -1.5	+1.5 -1.5					



NOTE:
此圖面共用於15' FIRST 30 Platinum(80mm/100mm)
除外管組及優力膠下座組需依以下列表替換外,其餘零件皆為共用

品號	外管組替換料件	優力膠下座組	差異性
PGF0150F-	M5GFRU11-0200	H5GAECHA287	有軸 行程100
PGF0150E-	M5GFRU11-0200	H5GAECHA287-1	有軸 行程80
PGF0160F-	M5GFRU11-1200	H5GAECHA287	無軸 行程100
PGF0160E-	M5GFRU11-1200	H5GAECHA287-1	無軸 行程80

29	M5R22-2Y11-100	PART	螺絲小螺絲	bolit	1	M3X0.5
28	M5K43-2730-000	PART	小鋼珠	Steel ball	2	φ4
27	M5K43-2351-000	PART	彈簧	Spring	2	Pitch 0.85
26	M5K41-2310-000	PART	襯墊	Liner	2	064622
25	M5GST2DE298H800	PART	氣動外管(數量)	Stanchion	1	∅30
24	M5GST2DA298H700	PART	油封外管(數量)	Stanchion	1	∅30
23	M5GSPB-5006-2	PART	緩衝墊	Top-Out Bumper	1	φ24Xφ10.5X6L
22	M5GRT9A300	PART	轉向管(數量)	Steerer	1	
21	M5GOR8-240-1080	PART	O-RING	O-Ring	1	
20	M5GFRU11-0200	PART	FIRST有軸外管	RAXXON Casting	1	P130 φ30
19	M5GCR9-FCZA200A	PART	130有軸外管(1個外管)	Crown	1	P130
18	M5GBHCCCC1-1	PART	油封	Oil seal	2	
17	M5GBH9ADA-U	PART	上襯套	Bush	2	
16	M5GBH9ADA-D	PART	下襯套	Bush	2	
15	M5GAE9A300-1	PART	鎖死調整螺絲	OCR KNOBS	1	073060
14	M5GAE9JP131	PART	外管殼	Bottom-out spacer	1	
13	M5GAE9DA183	PART	氣動蓋	Air Cap	1	TBD
12	M5GAE9CS27	PART	緩衝調整螺絲片	shim	1	073059-01
11	M5GAE9AZ034-1	PART	回彈調整螺絲(鍍金鍍層)	Rebound knob	1	
10	M5GAC9-1004	PART	六角六角螺絲	HEX Bolits	1	M3X0.5X10L
9	M5GAC8-0731	PART	線式固定夾	Wire Clip	1	For M3x0.5
8	M5GAC66	PART	六角六角螺絲	Nut	1	M5X0.8六角螺絲8mm
7	M5FKD-2723-000	PART	油壓軸	pivot	2	M10X1.25
6	H5GDPEAK30B-2	ASSEMBLY	鎖死螺絲	lock-out Assembly	1	
5	H5GDP9AD265	ASSEMBLY	F1 管中管油壓螺絲(數量)	Hydraulic Damping	1	
4	H5GAECHA287	ASSEMBLY	氣動外管下座組		1	
3	H5GAE9FA248	ASSEMBLY	活瓣組	Air piston	1	TBD
2	H5GAE9DA233	ASSEMBLY	固定螺絲	Fixed Guide Assembly	1	068155
1	1022A-02515	PART	螺絲螺絲	Bolit	1	M2.5X0.45X15L
NO	PART NO	TYPE	CHINESE NAME	ENGLISH NAME	QTY	NOTE

Bill of material

MATERIAL	Assembly	Q'TY	1	MODEL	15' FIRST 30 PLATINUM(80/100)		
UNIT	MM	SCALE	0.500	DRAW NO	PGF0150F-	rev.	1.0
FASHING	TREAT			NAME	爆炸圖		
DESIGN	DRAWING	CHECK	CONFIG	APPE	RST		