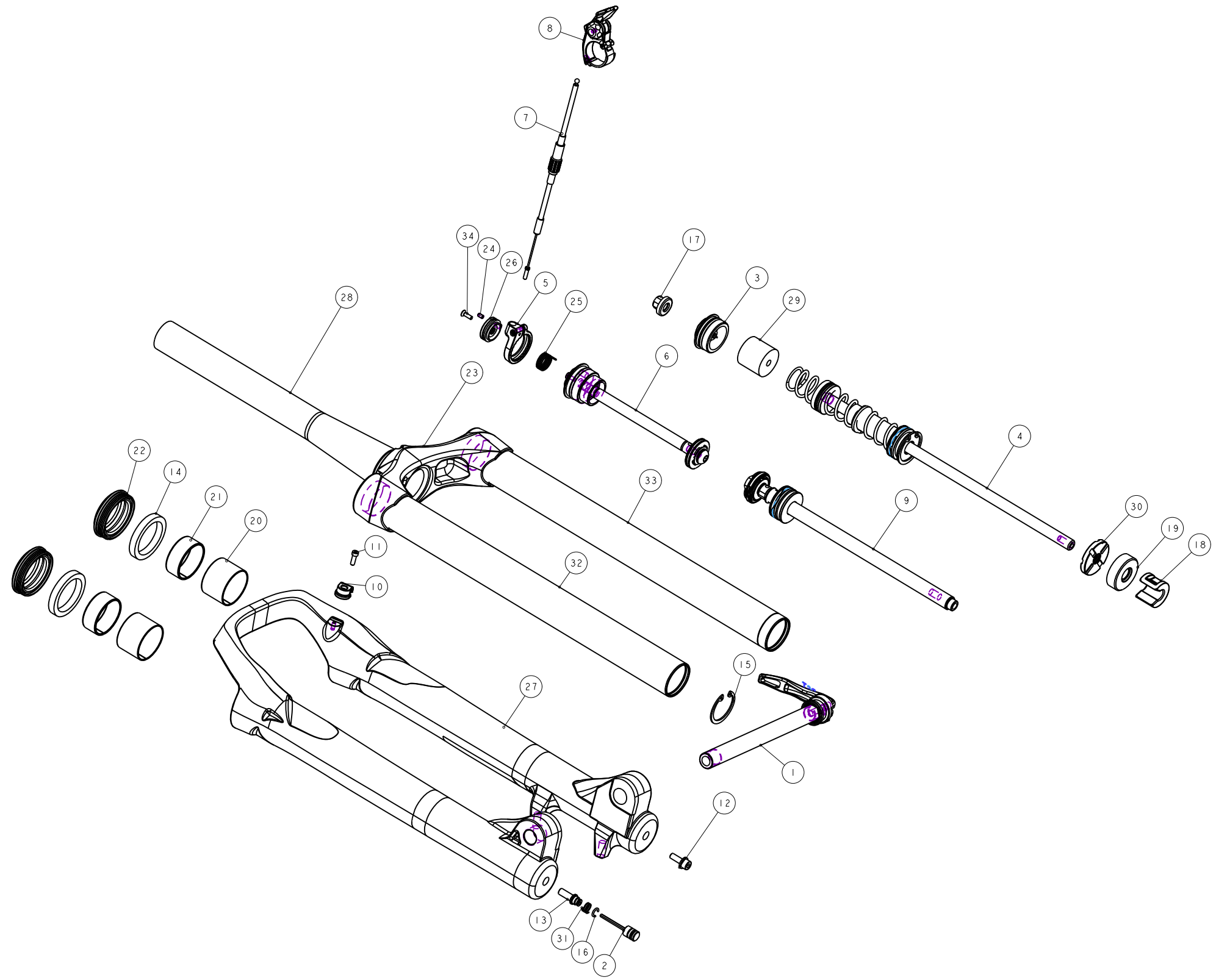


機械加工尺寸一般容許公差					REV.	DATE	DESCRIPTION	CHANGER	CHECK
尺寸	長度	尺寸	孔徑	軸徑					
1 <= 10	±0.2	1 <= 10	+0.2 -0.2	+0.2 -0.2					
10.001 <= 100	±0.3	10.001 <= 100	+0.3 -0.3	+0.3 -0.3					
100.001 <= 250	±0.5	100.001 <= 250	+0.5 -0.5	+0.5 -0.5					
250.001 <= 500	±0.8	250.001 <= 500	+1.0 -1.0	+1.0 -1.0					
500 <	±1.3	500 <	+1.5 -1.5	+1.5 -1.5					



比例 0.500

成品品號	PGGI449K-	PGGI449J-	PGGI449H-	PGGI449G-
優力膠下座組	H5GAEGJA293-1	H5GAEGJA293-2	H5GAEGJA293-3	H5GAEGJA293-4
行程	150	140	130	120
說明	FIRST 27.5 + AIR_TRL			

NO	PART NO	TYPE	CHINESE NAME	ENGLISH NAME	QTY	NOTE
34	M5R22-2Y11-100	PART	螺絲小螺絲	bolt	1	M3X0.5
33	M5GST2JE365H100	PART	34內管_氣邊	stanchion	1	
32	M5GST2JA365H000	PART	34內管_油邊	stanchion	1	
31	M5GSPG0427	PART	彈簧		1	
30	M5GSPFB-7005034	PART	緩衝墊	Top-Out Bumper	1	ø24Xø10.5X6L
29	M5GSPFC-72825	PART	發泡膠力膠		1	
28	M5GRTP29800	PART	轉向管		1	
27	M5GFRG12-1000	PART	G12外管		1	
26	M5GDPAK03	PART	總成旋轉組	Turn Base	1	8h
25	M5GDP7ARL-020	PART	彈簧	Coil Spring	1	20h
24	M5GDP7ARL-013	PART	止付螺絲	Grub screw	1	M3X5L
23	M5GCRG-MEZA3000	PART	P150 34 1.5寸喉管		1	
22	M5GBHECKC1	ASSEMBLY	油封		2	
21	M5GBHEBLA-U	PART	34上襯套	Bush_u	2	
20	M5GBHEBLA-D	PART	34下襯套	Bush_d	2	
19	M5GAEFJP10-1	PART	外管座	Bottom-Out Spacer	1	
18	M5GAE9JP131	PART	外管座	Bottom-out spacer	1	
17	M5GAE9DA183	PART	氣筒蓋	Air Cap	1	TBD
16	M5GACG0427	PART	C扣		1	
15	M5GACF0123	PART	C扣		1	
14	M5GACE0910-34	PART	油泡棉		2	
13	M5GACE0106-01	PART	回彈調整螺絲		1	
12	M5GACC0617-01	PART	螺絲六角螺絲	bolt	1	M5X15L
11	M5GAC9-1004	PART	螺絲六角螺絲	HEX Bolts	1	M3X0.5X10L
10	M5GAC8-0731	PART	鐵式固定夾	Wire Clip	1	For M3x0.5
9	H5GDPFAD34-1	ASSEMBLY	活塞桿組	Hydraulic Damping Assembly		
8	H5GDPDAR1	ASSEMBLY	TRL螺桿組(可鎖式)	Tiny Remote Lockout	1	
7	H5GDPDAK08	ASSEMBLY	高線TRL外線組(500mm)	Remote Outline Assembly	1	
6	H5GDPCK101-P	ASSEMBLY	螺絲螺絲組		1	
5	H5GDPBARL6	ASSEMBLY	08'RL扣螺絲組(高線)	Remote Outline Base	1	
4	H5GAEGJA293-1	ASSEMBLY	優力膠下座組		1	
3	H5GAENA031	ASSEMBLY	氣筒組		1	
2	H5GAEBLA019	ASSEMBLY	回彈調整組		1	
1	H5GACE1208	ASSEMBLY	15 軸心(P150)		1	

Bill of material

MATERIAL	ASSEMBLY	Q'TY	SCALE	MODEL	16' FIRST 27.5 + AIR_TRL (120/130/140/150)
UNIT	MM		0.500	DRAW NO	PGGI449K- rev. 1.0
FASHING	TREAT			NAME	爆炸圖
DESIGN	DRAWING	CHECK	CONFIG	APPE	RST