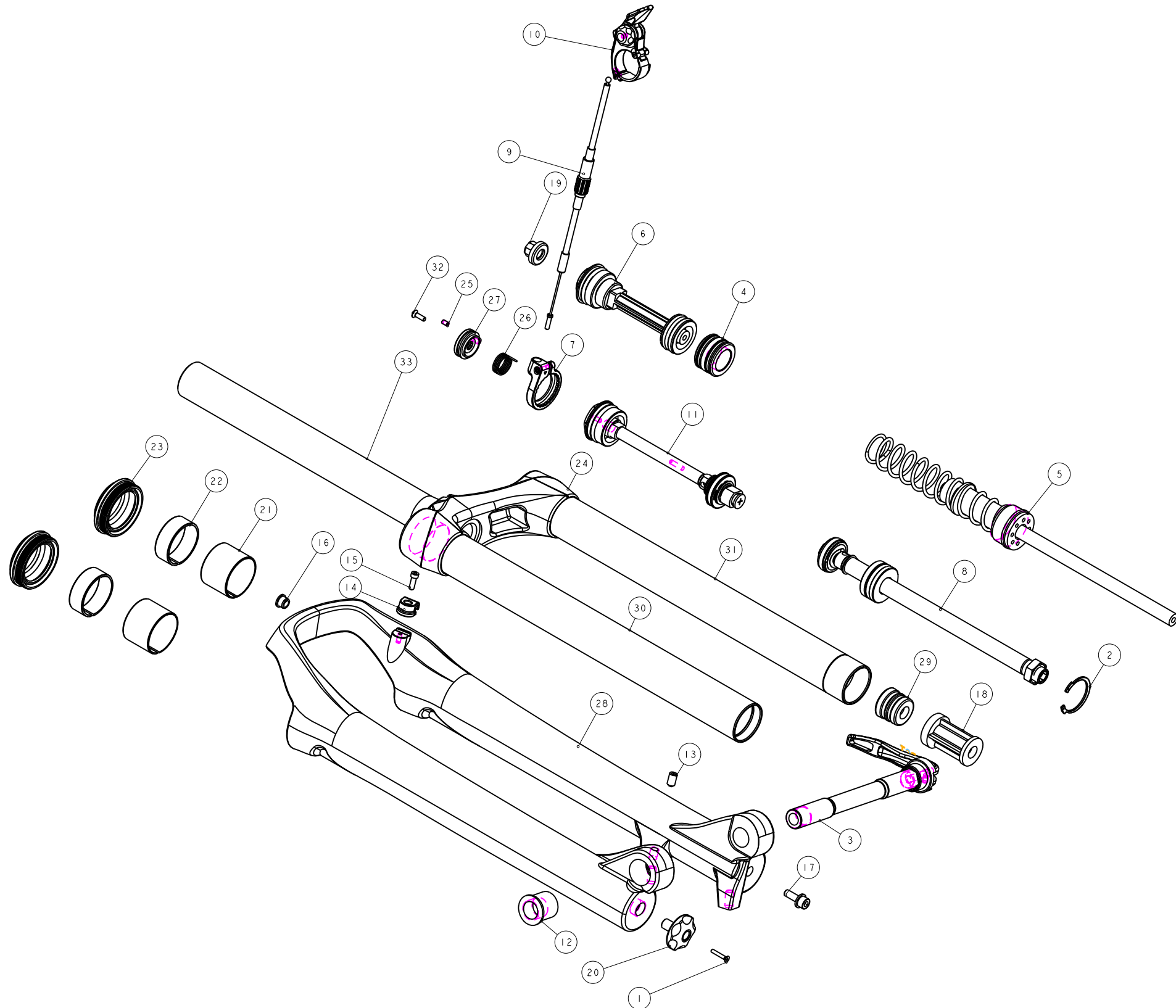


機械加工尺寸一般容許公差					REV.	DATE	DESCRIPTION	CHANGER	CHECK
尺寸	長度	尺寸	孔徑	軸徑	1	18 Jul '14	使用新版 15軸心及固定螺	蔡慶豐	
1 < 10	±0.2	1 < 10	+0.2 -0.2	+0 -0.2	2	08 JUN '15	H5GACE1206-H5GACE1206-2	許啟強	
10.001 < 100	±0.3	10.001 < 100	+0.3 -0.3	+0 -0.3					
100.001 < 250	±0.5	100.001 < 250	+0.5 -0.5	+0 -0.5					
250.001 < 500	±0.8	250.001 < 500	+1.0 -1.0	+1.0 -1.0					
500 <	±1.3	500 <	+1.5 -1.5	+1.5 -1.5					



NOTE:  
此圖面共用於FIRST29\_15 AIR TRL系列

品號	規格說明	活塞桿對應料號
PGF0849F-	行程100mm 總高510mm	H5GAECJA228
PGF0849E-	行程80mm 總高490mm	H5GAECJA228-1

33	MFBV-286-700	PART	轉彎管	Steerer	1	040550
32	M5R22-2Y11-100	PART	螺絲小螺絲	bolt	1	M3X0.5
31	M5GST2EA328H100	PART	內管加工	Stanchion	1	345L
30	M5GST2EA328H100	PART	內管加工	stanchion	1	345L
29	M5GSPB-401-5	PART	螺絲墊	Top-Out Bumper	1	*24X20LX50mm
28	M5GFRJC5-1100	PART	12" FI 29-15外管		1	一大一小
27	M5GDPAK03	PART	螺絲螺帽	Turn Base	1	8h
26	M5GDP7ARL-020	PART	螺絲	Corkscrew Coil Spring	1	20h
25	M5GDP7ARL-013	PART	止付螺絲	Grab screw	1	M3X5L
24	M5GCRC1FDZA2000	PART	12" FIRST29螺帽	Crown	1	
23	M5GBH8CEC1	ASSEMBLY	油封		2	TBD
22	M5GBH8AEF-U	PART	上膠套	Up Bushing	2	
21	M5GBH8AEF-D	PART	下膠套	Lower Bushing	2	
20	M5GAEBAZ200	PART	螺絲	Rebound Knob	1	068584
19	M5GAE9DA183	PART	螺絲	Air Cap	1	TBD
18	M5GAEOJB027-40	PART	外管	Bottom-out spacer	1	40(38)L
17	M5GACC0617-01	PART	螺絲六角螺絲	bolt	1	M5X15L
16	M5GACC0603-01	PART	螺絲	ADAPTER	1	
15	M5GAC9-1004	PART	螺絲六角螺絲	HEX Bolts	1	M3X0.5X10L
14	M5GAC8-0731	PART	螺絲固定夾	Wire Clip	1	For M3x0.5
13	M5GAC06010	PART	螺絲螺絲	Bolt	1	
12	M5GAC00212-1	PART	螺絲螺絲	Bolt	1	
11	H5GDPEAK30B	ASSEMBLY	螺絲螺絲	lock-out Assembly	1	
10	H5GDPDAR1	ASSEMBLY	TRL螺絲螺絲(可鎖式)	Tiny Remote Lockout	1	
9	H5GDPDAK08	ASSEMBLY	螺絲TRL外螺絲(500L)	Remote Outline Assembly	1	
8	H5GDPBAD14	ASSEMBLY	1" TITANIUM 140/120活塞桿	Hydraulic Damping Assembly	1	
7	H5GDPBARL6	ASSEMBLY	08" RL螺絲螺絲(螺絲)	Remote Outline Base	1	
6	H5GDP0CR80	ASSEMBLY	螺絲螺絲(含螺絲)	Fixed Guide Assembly	1	
5	H5GAECJA228	ASSEMBLY	螺絲螺絲		1	
4	H5GAEO1P32	ASSEMBLY	活塞桿	Air Piston	1	
3	H5GACE1206-2	ASSEMBLY	15 軸心		1	
2	3052D-30000	PART	孔用中心止輪	C-clip	1	1R30
1	1022A-02515	PART	螺絲螺絲	Bolt	1	M2.5X0.45X15L
NO	PART NO	TYPE	CHINESE NAME	ENGLISH NAME	QTY	NOTE

Bill of material

MATERIAL	ASSEMBLY	QTY	1	MODEL	15"FIRST 29.15 AIR TRL(80/100)
UNIT	MM	SCALE	0.600	DRAW NO	PGF0849F- rev. 1.2
FASHING	TREAT				
DESIGN	DRAWING	CHECK	CONF IG	APPE	NAME
					爆炸圖
					RST