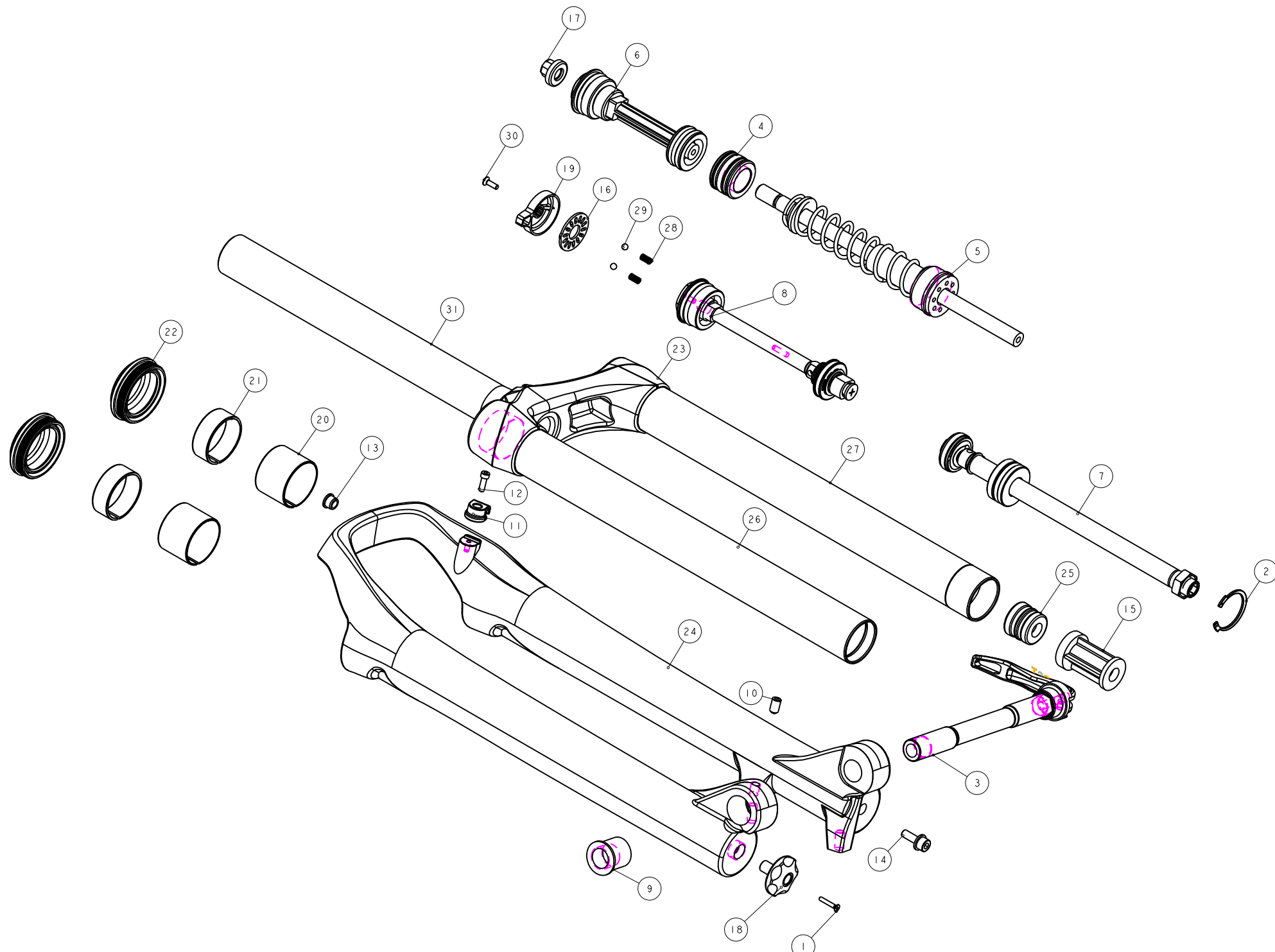


機械加工尺寸一般容許公差					REV.	DATE	DESCRIPTION	CHANGER	CHECK
尺寸	長寬高	尺寸	孔徑	軸徑	1	18 Jul '14	使用新版 15軸心及固定螺	蔡慶豐	
1 <= 10	±0.2	1 <= 10	+0.2 -0.2	+0.2 -0.2	2	08 JUN '15	H5GACE1206-H5GACE1206-2	許啟隆	
10.001 <= 100	±0.3	10.001 <= 100	+0.3 -0.3	+0.3 -0.3					
100.001 <= 250	±0.5	100.001 <= 250	+0.5 -0.5	+0.5 -0.5					
250.001 <= 500	±0.8	250.001 <= 500	+1.0 -1.0	+1.0 -1.0					
500 <	±1.3	500 <	+1.5 -1.5	+1.5 -1.5					



NOTE:
此圖面共用於FIRST29_15 AIR系列

品號	規格說明	活塞組對應料號
PGF084FF-	行程100mm 總高510mm	H5GAECJA228
PGF084FE-	行程80mm 總高490mm	H5GAECJA228-1

NO	PART NO	TYPE	CHINESE NAME	ENGLISH NAME	QTY	NOTE
31	MFBV-286-700	PART	轉向管	Steerer	1	040550
30	M5R22-2Y11-100	PART	螺絲+螺絲	bolt	1	M3X0.5
29	M5K43-2730-000	PART	小鋼珠	Steel ball	2	#4
28	M5K43-2351-000	PART	彈簧	Spring	2	Pitch 0.85
27	M5GST2EE328H100	PART	內管加工	Stanchion	1	345L
26	M5GST2EA328H100	PART	內管加工	stanchion	1	345L
25	M5GSPB-401-5	PART	緩衝墊	Top-Out Bumper	1	#24X20LX50mm
24	M5GFRJCS-1100	PART	12" FI 29-15外管		1	一大一小
23	M5GRCR1FDZA2000	PART	12" FIRST29鋼管	Crown	1	
22	M5GBH8CEC1	ASSEMBLY	油封		2	TBD
21	M5GBH8AEF-U	PART	上彈簧	Up Bushing	2	
20	M5GBH8AEF-D	PART	下彈簧	Lower Bushing	2	
19	M5GAEBTN30	PART	鋼死彈簧	OCR KNOPS	1	073060
18	M5GAEBAZ200	PART	彈簧	Rebound Knob	1	068584
17	M5GAE9DA183	PART	加壓蓋	Air Cap	1	TBD
16	M5GAE9CS27-1	PART	OCR鋼死彈簧墊片	shim	1	073059-01
15	M5GAE0JB027-40	PART	外管	Bottom-out spacer	1	401381L
14	M5GACC0617-01	PART	螺絲+六角螺絲	bolt	1	M5X15L
13	M5GACC0603-01	PART	轉接	ADAPTER	1	
12	M5GAC9-1004	PART	螺絲+六角螺絲	HEX Bolts	1	M3X0.5X10L
11	M5GAC8-0731	PART	線式固定夾	Wire Clip	1	For M3x0.5
10	M5GAC06010	PART	螺絲螺絲	Bolt	1	
9	M5GAC00212-1	PART	固定螺	Bolt	1	
8	H5GDPEAK30B	ASSEMBLY	鎖死螺絲	lock-out Assembly	1	
7	H5GDPBAD14	ASSEMBLY	1" TITANIUM 140/120油壓彈簧	Hydraulic Damping Assembly	1	
6	H5GDP0CR80	ASSEMBLY	固定螺絲(含導軌)	Fixed Guide Assembly	1	
5	H5GAECJA228	ASSEMBLY	彈簧彈簧		1	
4	H5GAE0LP32	ASSEMBLY	活塞	Air Piston	1	
3	H5GACE1206-2	ASSEMBLY	15 軸心		1	
2	3052D-30000	PART	孔用中心止輪	C-clip	1	1R30
1	1022A-02515	PART	螺絲螺絲	Bolt	1	M2.5X0.45X15L



Bill of material

MATERIAL	ASSEMBLY	QTY	SCALE	MODEL	15"FIRST 29_15 AIR(80/100)
UNIT	MM	0.650	TREAT	DRAW NO	PGF084FF- rev. 1.2
DESIGN	DRAWING	CHECK	CONF IG	APPE	NAME
					爆炸圖
					RST