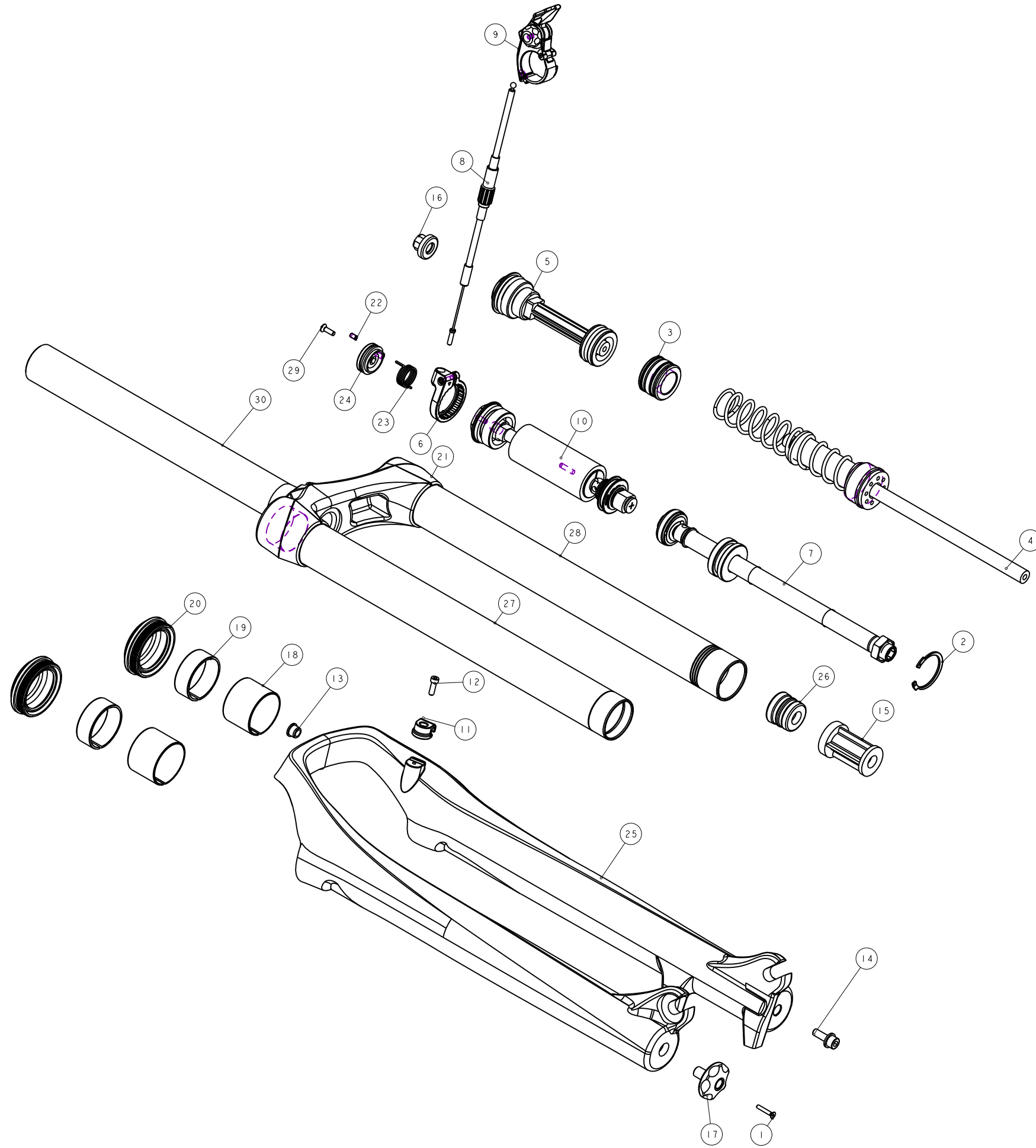


機械加工尺寸一般容許公差					REV.	DATE	DESCRIPTION	CHANGER	CHECK
尺寸	長度	尺寸	孔徑	軸徑					
1 <= 10	±0.2	1 <= 10	+0.2 -0.2	+0.2 -0.2					
10.001 <= 100	±0.3	10.001 <= 100	+0.3 -0.3	+0.3 -0.3					
100.001 <= 250	±0.5	100.001 <= 250	+0.5 -0.5	+0.5 -0.5					
250.001 <= 500	±0.8	250.001 <= 500	+1.0 -1.0	+1.0 -1.0					
500 <	±1.3	500 <	+1.5 -1.5	+1.5 -1.5					



NOTE:
此圖面共用於 14'FIRST29 AIR TRL 系列

品號	規格說明	活塞相對應料號
PGE0829F-	行程100mm 總高510mm	H5GAECJA228
PGE0829E-	行程80mm 總高490mm	H5GAECJA228-1

30	MFBV-286-700	PART	轉向管	Steerer	1	040550
29	M5R22-2Y11-100	PART	螺絲	bolt	1	M3X0.5
28	M5GST2EE328H100	PART	內管加工	Stanchion	1	345L
27	M5GST2EA328H100	PART	內管加工	stanchion	1	345L
26	M5GSPB-401-5	PART	緩衝墊	Top-Out Bumper	1	φ24X20LX50mm
25	M5GFRJC1-1100	PART	2012 FIRST29 外管		1	螺孔一大小
24	M5GDPAK03	PART	轉位螺絲	Turn Base	1	8h
23	M5GDP7ARL-020	PART	彈簧	Corkscrew Coil Spring	1	20h
22	M5GDP7ARL-013	PART	止付螺絲	Grub screw	1	M3X5L
21	M5GCRC1FDZA2000	PART	12'FIRST29 螺帽	Crown	1	
20	M5GBH8CEC1	ASSEMBLY	油封		2	TBD
19	M5GBH8AEF-U	PART	上襯套	Up Bushing	2	
18	M5GBH8AEF-D	PART	下襯套	Lower Bushing	2	
17	M5GAEBAZ200	PART	彈簧座	Rebound Knob	1	068584
16	M5GAE9DA183	PART	氣筒蓋	Air Cap	1	TBD
15	M5GAE0JB027-40	PART	外管座	Bottom-out spacer	1	40138JL
14	M5GACC0617-01	PART	螺絲	bolt	1	M5X15L
13	M5GACC0603-01	PART	螺絲座	ADAPTER	1	
12	M5GAC9-1004	PART	螺絲	HEX Bolts	1	M3X0.5X10L
11	M5GAC8-0731	PART	線式固定夾	Wire Clip	1	For M3x0.5
10	H5GDPPEAK30B	ASSEMBLY	鎖死螺絲	lock-out Assembly	1	
9	H5GDPDARI	ASSEMBLY	TRL 螺絲帽 (可鎖式)	Tiny Remote Lockout	1	
8	H5GDPDAK08	ASSEMBLY	減震TRL 外殼 (500L)	Remote Outline Assembly	1	
7	H5GDPBAD14	ASSEMBLY	11" TITAN 140/120 液壓減震器	Hydraulic Damping Assembly	1	
6	H5GDPBARL6	ASSEMBLY	08" RL 螺絲帽 (減震)	Remote Outline Base	1	
5	H5GDPPCR80	ASSEMBLY	固定螺絲 (含螺絲)	Fixed Guide Assembly	1	
4	H5GAECJA228	ASSEMBLY	彈簧下壓螺絲		1	
3	H5GAEOLP32	ASSEMBLY	活塞螺絲	Air Piston	1	
2	3052D-30000	PART	孔用中心止輪	C-Clip	1	1R30
1	1022A-02515	PART	螺絲	Bolt	1	M2.5X0.45X15L
NO	PART NO	TYPE	CHINESE NAME	ENGLISH NAME	QTY	NOTE

Bill of material

MATERIAL	Assembly	Q'TY	1	MODEL	14'FIRST 29 AIR TRL(80/100)
UNIT	MM	SCALE	0.650	DRAW NO	PGE0829F- rev. 1.0
FASHING	TREAT			NAME	爆炸圖
DESIGN	DRAWING	CHECK	CONFIG	APPE	RST