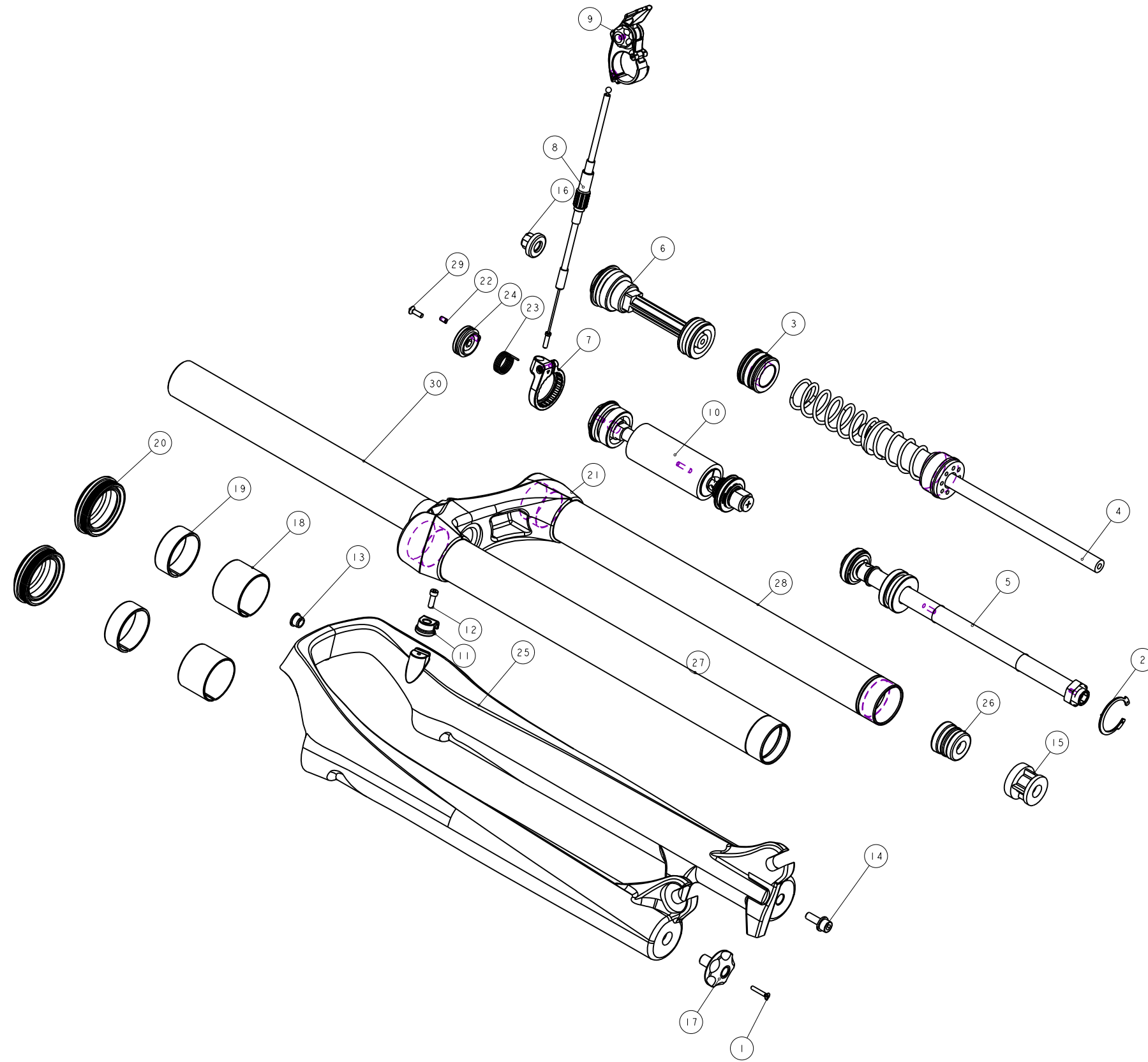


機械加工尺寸一般容許公差					REV.	DATE	DESCRIPTION	CHANGER	CHECK
尺寸	長度	尺寸	孔徑	軸徑					
1 <= 10	±0.2	1 <= 10	+0.2 -0.2	+0.2 -0.2					
10.001 <= 100	±0.3	10.001 <= 100	+0.3 -0.3	+0.3 -0.3					
100.001 <= 250	±0.5	100.001 <= 250	+0.5 -0.5	+0.5 -0.5					
250.001 <= 500	±0.8	250.001 <= 500	+1.0 -1.0	+1.0 -1.0					
500 <	±1.3	500 <	+1.5 -1.5	+1.5 -1.5					



30	MFBV-286-700	PART	轉向管	Steerer	1	040550
29	M5R22-2Y11-100	PART	螺絲小螺絲	bolt	1	M3X0.5
28	M5GST2EE345H000	PART	內管加工	Stanchion	1	345L
27	M5GST2EA345H000	PART	內管加工	stanchion	1	345L
26	M5GSPB-401-5	PART	螺絲墊	Top-Out Bumper	1	φ24X20LX50mm
25	M5GFRJCI-1100	PART	2012 FIRST29 外管		1	螺孔一大小
24	M5GDPAK03	PART	螺絲螺帽	Turn Base	1	8h
23	M5GDP7ARL-020	PART	彈簧	Corkscrew Coil Spring	1	20h
22	M5GDP7ARL-013	PART	止付螺絲	Grub screw	1	M3X5L
21	M5GCRC1FDZA2000	PART	12" FIRST29 螺絲	Crown	1	
20	M5GBH8CEC1	ASSEMBLY	油封		2	TBD
19	M5GBH8AEF-U	PART	上襯套	Up Bushing	2	
18	M5GBH8AEF-D	PART	下襯套	Lower Bushing	2	
17	M5GAEBAZ200	PART	彈簧座	Rebound Knob	1	068584
16	M5GAE9DA183	PART	氣筒蓋	Air Cap	1	TBD
15	M5GAE8JB027	PART	外管座	Bottom-out spacer	1	20I18JL
14	M5GACC0617-01	PART	螺絲六角螺絲	bolt	1	M5X15L
13	M5GACC0603-01	PART	螺絲座	ADAPTER	1	
12	M5GAC9-1004	PART	螺絲六角螺絲	HEX Bolts	1	M3X0.5X10L
11	M5GAC8-0731	PART	螺絲固定夾	Wire Clip	1	For M3x0.5
10	H5GDPEAK30B	ASSEMBLY	鎖死螺絲	lock-out Assembly	1	
9	H5GDPDARI	ASSEMBLY	螺絲TRL螺絲帽(可鎖式)	Tiny Remote Lockout	1	
8	H5GDPDAK08	ASSEMBLY	螺絲TRL外螺絲(500L)	Remote Outline Assembly	1	
7	H5GDP8ARL6	ASSEMBLY	08" RL螺絲帽(螺絲)	Remote Outline Base	1	
6	H5GDP0CR80	ASSEMBLY	螺絲螺絲(含螺絲)	Fixed Guide Assembly	1	
5	H5GDP0AD15	ASSEMBLY	TITANI5 液壓螺絲	Hydraulic Damping Assembly	1	
4	H5GAECJA228	ASSEMBLY	螺絲腳下螺絲		1	
3	H5GAE0LP32	ASSEMBLY	活瓣組	Air Piston	1	
2	3052D-30000	PART	孔用中心止輪	C-Clip	1	1R30
1	1022A-02515	PART	螺絲螺絲	Bolt	1	M2.5X0.45X15L
NO	PART NO	TYPE	CHINESE NAME	ENGLISH NAME	QTY	NOTE

Bill of material

MATERIAL	ASSEMBLY	Q'TY	1	MODEL	14"FIRST 29 AIR TRL(120)		
UNIT	MM	SCALE	0.600	DRAW NO	PGE0829G-	rev.	1.0
FASHING	TREAT			NAME	爆炸圖		
DESIGN	DRAWING	CHECK	CONFIG	APPE	RST		