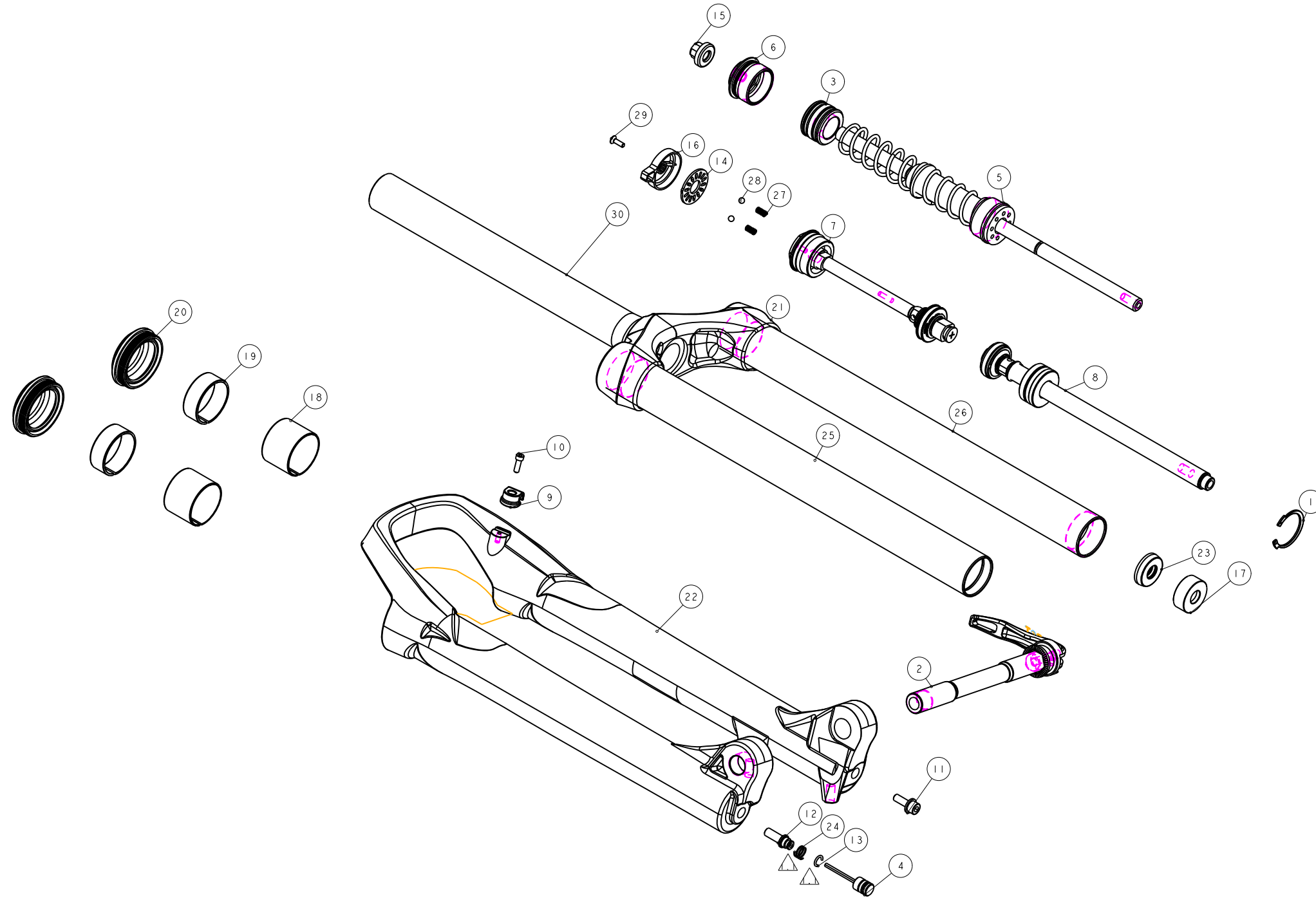


| 機械加工尺寸一般容許公差 | | | | | REV. | DATE | DESCRIPTION | CHANGER | CHECK |
|---------------|------|---------------|--------------|--------------|------|------------|---|---------|-------|
| 尺寸 | 長寬高 | 尺寸 | 孔徑 | 軸徑 | △ | 18 MAY '15 | 機油80S4A-00500 機油M5GACG0427, M5GSPG0427 | 許智強 | |
| 1 < 10 | ±0.2 | 1 < 10 | +0.2 -0.3 | +0 -0.2 | | | | | |
| 10.001 < 100 | ±0.3 | 10.001 < 100 | +0.3 -0.4 | +0 -0.3 | | | | | |
| 100.001 < 250 | ±0.5 | 100.001 < 250 | +0.5 -0.6 | +0 -0.5 | | | | | |
| 250.001 < 500 | ±0.8 | 250.001 < 500 | +1.0 -1.0 | +1.0 -1.0 | | | | | |
| 500 < | ±1.3 | 500 < | +1.5 -1.5 | +1.5 -1.5 | | | | | |



| NO | PART NO | TYPE | CHINESE NAME | ENGLISH NAME | QTY | NOTE |
|----|-----------------|----------|-----------------|----------------------------|-----|-------------|
| 30 | MFBV-286-701 | PART | 轉向管 | | 1 | 040550 |
| 29 | M5R22-2Y11-100 | PART | 埋頭小螺絲 | ball | 1 | M3X0.5 |
| 28 | M5K43-2730-000 | PART | 小鋼珠 | Steel ball | 2 | #4 |
| 27 | M5K43-2351-000 | PART | 彈簧 | Spring | 2 | Pitch 0.85 |
| 26 | M5GST2EE345H000 | PART | 32內管 | Stanchion | 1 | 345L |
| 25 | M5GST2EA345H000 | PART | 32內管 | stanchion | 1 | 345L |
| 24 | M5GSPG0427 | PART | 彈簧 | | 1 | |
| 23 | M5GSPB-5006-2 | PART | 緩衝墊 | Top-Out Bumper | 1 | Φ24X10.5X6L |
| 22 | M5GFRED4-1100 | PART | F1 27.5-15外管加工 | | 1 | 機油2+ |
| 21 | M5GCR1-FDZA2000 | PART | 11" SATURN 鋼管座 | Crown | 1 | |
| 20 | M5GBH8CEC1 | ASSEMBLY | 油封 | | 2 | TBD |
| 19 | M5GBH8AEF-U | PART | 上襯套 | Up Bushing | 2 | |
| 18 | M5GBH8AEF-D | PART | 下襯套 | Lower Bushing | 2 | |
| 17 | M5GAEJPI0 | PART | 外管座 | Bottom-Out Spacer | 1 | |
| 16 | M5GAEBTN38 | PART | 鎖死調整座 | OCR KNOBS | 1 | 073060 |
| 15 | M5GAE9DA183 | PART | 氣筒蓋 | Air Cap | 1 | TBD |
| 14 | M5GAE9CS27-1 | PART | OCR鎖死調整座墊片 | shim | 1 | 073059-01 |
| 13 | M5GACG0427 | PART | C扣 | | 1 | |
| 12 | M5GACE0106-01 | PART | 回彈調整螺絲 | | 1 | |
| 11 | M5GACC0617-01 | PART | 圓筒內六角螺絲 | ball | 1 | M5X15L |
| 10 | M5GAC9-1004 | PART | 圓筒內六角螺絲 | HEX Bolts | 1 | M3X0.5X10L |
| 9 | M5GAC8-0731 | PART | 鎖式固定夾 | Wire Clip | 1 | For M3x0.5 |
| 8 | H5GDPFAD14 | ASSEMBLY | FIRST 27.5 活塞桿組 | Hydraulic Damping Assembly | 1 | |
| 7 | H5GDPEAK30B | ASSEMBLY | 鎖死桿組 | lock-out Assembly | 1 | |
| 6 | H5GDPCC245 | ASSEMBLY | 輕量氣筒桿組 | | 1 | |
| 5 | H5GAEFJA285-2 | ASSEMBLY | 優力膠下座組 | Compression Rod Assembly | 1 | |
| 4 | H5GAEBLA019 | ASSEMBLY | 回彈調整組 | | 1 | |
| 3 | H5GAE0LP32 | ASSEMBLY | 活塞組 | Air Piston | 1 | |
| 2 | H5GACE1206 | ASSEMBLY | 新15軸心 | | 1 | |
| 1 | 3052D-30000 | PART | 孔用中心止輪 | C-Clip | 1 | 1R30 |

| 成品品號 | PGF118FG | PGF118FF | PGF118FE | PGF019FG | PGF019FF | PGF019FE |
|--------|---------------|---------------|---------------|---------------|---------------|---------------|
| 外管 | M5GFRED4-1100 | | | M5GFRED5-1000 | | |
| 15軸心 | H5GACE1206 | | | 不使用 | | |
| 優力膠下座組 | H5GAEFJA285-2 | H5GAEFJA285-3 | H5GAEFJA285-4 | H5GAEFJA285-2 | H5GAEFJA285-3 | H5GAEFJA285-4 |
| 行程 | 120 | 100 | 80 | 120 | 100 | 80 |
| 說明 | FIRST_27.5-15 | | | FIRST_27.5 | | |

| Bill of material | | | | | | |
|------------------|----------|-------|--------|---------|------------------------------|----------|
| MATERIAL | ASSEMBLY | QTY | SCALE | MODEL | 15'FIRST_27.5-15(80/100/120) | |
| UNIT | MM | | 0.600 | DRAW NO | PGF118FG | rev. 1.1 |
| FASHING | TREAT | | | NAME | 爆炸圖 | |
| DESIGN | DRAWING | CHECK | CONFIG | APPE | RST | |