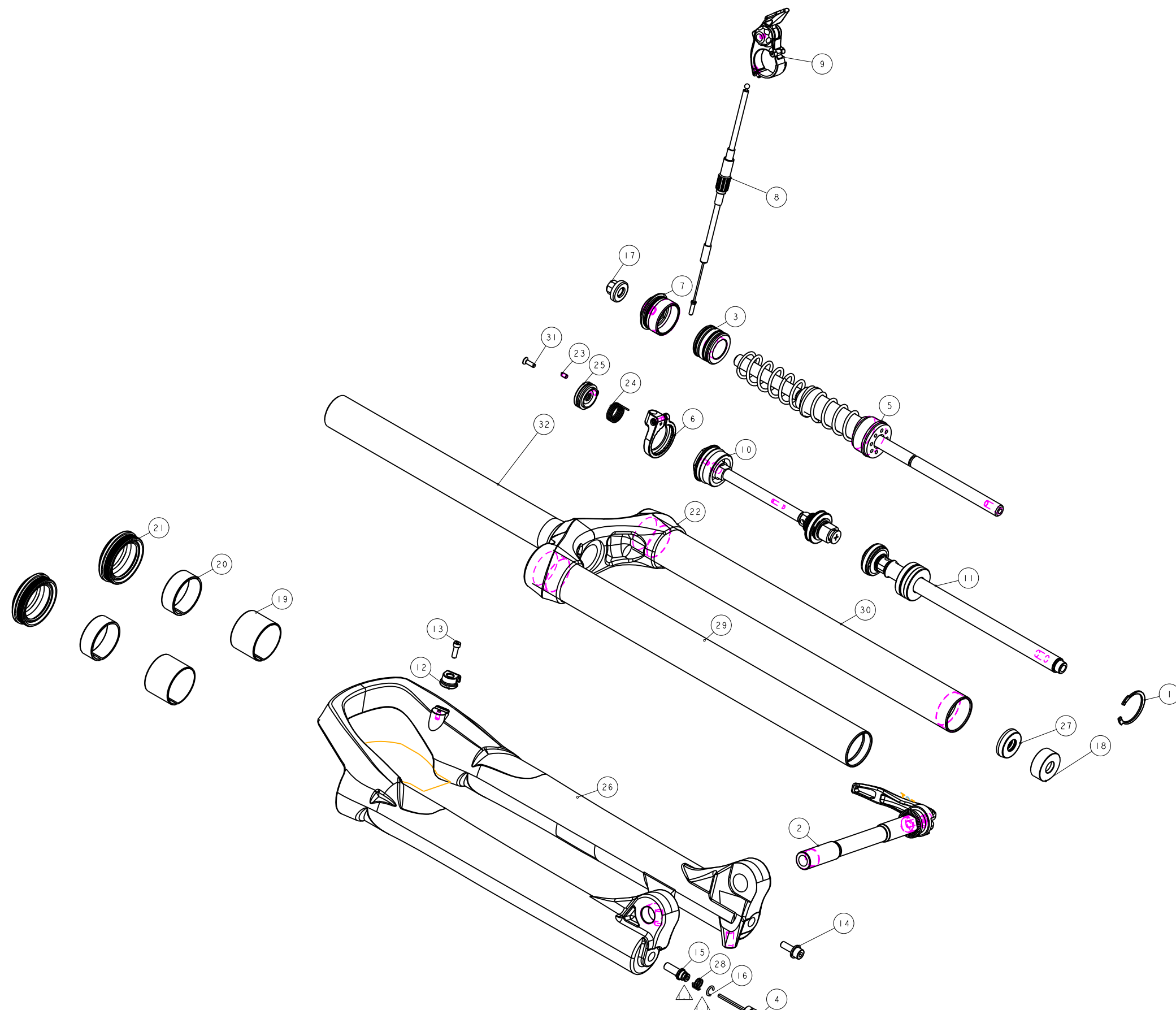


機械加工尺寸一般容許公差					REV.	DATE	DESCRIPTION	CHANGER	CHECK
尺寸	長度	尺寸	孔徑	軸徑	△	18 MAY '15	歐洲8064A-00500 M5GACG0427, M5GSPG0427	許聯盛	
1 <= 10	±0.2	1 <= 10	+0.2 -0.3	+0 -0.2					
10.001 <= 100	±0.3	10.001 <= 100	+0.3 -0.4	+0 -0.3					
100.001 <= 250	±0.5	100.001 <= 250	+0.5 -0.6	+0 -0.5					
250.001 <= 500	±0.8	250.001 <= 500	+1.0 -1.0	+1.0 -1.0					
500 <	±1.3	500 <	+1.5 -1.5	+1.5 -1.5					



32	MFBV-286-701	PART	轉向管		1	040550
31	M5R22-2Y111-100	PART	螺絲小螺絲	bolt	1	M3X0.5
30	M5GST2EE345H000	PART	32內管	Slanchion	1	345L
29	M5GST2EA345H000	PART	32內管	slanchion	1	345L
28	M5GSPG0427	PART	彈簧		1	
27	M5GSPB-5006-2	PART	緩衝墊	Top-Out Bumper	1	φ24X*10.5X6L
26	M5GFRED4-1100	PART	F1 27.5-15外管加工		1	螺絲2个
25	M5GDPAK03	PART	線控旋轉器	Turn Base	1	8h
24	M5GDP7ARL-020	PART	錯簧	Corkscrew Coil Spring	1	20h
23	M5GDP7ARL-013	PART	止付螺絲	Grab screw	1	M3X5L
22	M5GCR1-FDZA2000	PART	11" SATURN 鋼管	Crown	1	
21	M5GBH8CEC1	ASSEMBLY	油封		2	TBD
20	M5GBH8AEF-U	PART	上襯套	Up Bushing	2	
19	M5GBH8AEF-D	PART	下襯套	Lower Bushing	2	
18	M5GAEJPI0	PART	外管座	Bottom-Out Spacer	1	
17	M5GAE9DA183	PART	氣筒蓋	Air Cop	1	TBD
16	M5GACG0427	PART	C扣		1	
15	M5GACE0106-01	PART	回彈調整螺絲		1	
14	M5GACC0617-01	PART	螺絲內六角螺絲	bolt	1	M5X15L
13	M5GAC9-1004	PART	螺絲內六角螺絲	HEX Bolts	1	M3X0.5X10L
12	M5GACB-0731	PART	鎖式固定夾	Wire Clip	1	For M3x0.5
11	H5GDPFAD14	ASSEMBLY	FIRST 27.5 活壓彈簧組	Hydraulic Damping Assembly	1	
10	H5GDPEAK30B	ASSEMBLY	鎖死彈簧組	lock-out Assembly	1	
9	H5GDPDAR1	ASSEMBLY	TRL 螺絲組(可鎖式)	Tiny Remote Lockout	1	
8	H5GDPAK08	ASSEMBLY	高級TRL外線組(500L)	Remote Outline Assembly	1	
7	H5GDPCCC245	ASSEMBLY	輕量氣筒組		1	
6	H5GDP8ARL6	ASSEMBLY	08"RL扣環組(高級)	Remote Outline Base	1	
5	H5GAEFJA285-2	ASSEMBLY	優力膠下座組	Compression Rod Assembly	1	
4	H5GAEBLA019	ASSEMBLY	回彈調整螺絲		1	
3	H5GAE0LP32	ASSEMBLY	活壓組	Air Piston	1	
2	H5GACE1206	ASSEMBLY	新15軸心		1	
1	3052D-30000	PART	孔用中心止輪	C-Clip	1	1R30
NO	PART NO	TYPE	CHINESE NAME	ENGLISH NAME	QTY	NOTE

成品品號	PGF1189G	PGF1189F	PGF1189E	PGF0199G	PGF0199F	PGF0199E
外管	M5GFRED4-1100			M5GFRED5-1000		
15軸心	H5GACE1206			不使用		
優力膠下座組	H5GAEFJA285-2	H5GAEFJA285-3	H5GAEFJA285-4	H5GAEFJA285-2	H5GAEFJA285-3	H5GAEFJA285-4
行程	120	100	80	120	100	80
說明	FIRST_27.5-15 AIR-TRL			FIRST_27.5 AIR-TRL		

Bill of material						
MATERIAL	ASSEMBLY	Q'TY	SCALE	MODEL	15"FIRST.27.5-15 AIR-TRL(80/100/120)	
UNIT	MM		0.600			
FASHING	TREAT			DRAW NO	PGF1189G	rev. 1.1
DESIGN	DRAWING	CHECK	CONFIG	APPE	NAME	爆炸圖
						RST