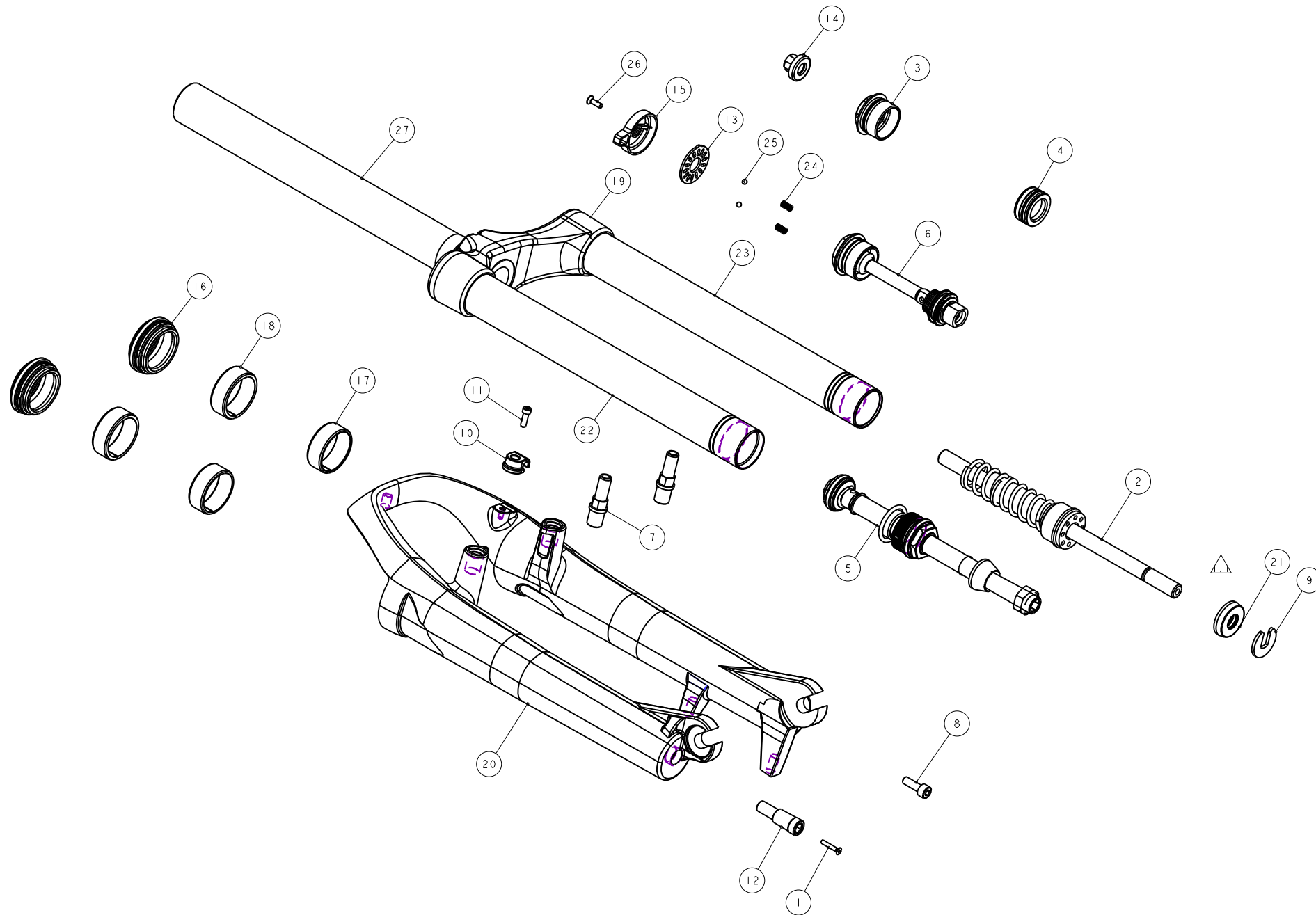


機械加工尺寸一般容許公差					REV.	DATE	DESCRIPTION	CHANGER	CHECK
尺寸	長度	尺寸	孔徑	軸徑					
1 <= 10	±0.2	1 <= 10	+0.2 -0.2	+0.2 -0.2	△	3Sep'14	線圈變更 M5S32-2310-000 →M5GSPB-5006-2	蔡慶豐	
10.001 <= 100	±0.3	10.001 <= 100	+0.3 -0.3	+0.3 -0.3					
100.001 <= 250	±0.5	100.001 <= 250	+0.5 -0.5	+0.5 -0.5					
250.001 <= 500	±0.8	250.001 <= 500	+1.0 -1.0	+1.0 -1.0					
500 <	±1.3	500 <	+1.5 -1.5	+1.5 -1.5					



27	MFBV-286-700	PART	轉向管		1	040550
26	M5R22-2Y11-100	PART	螺絲小螺絲	bolt	1	M3X0.5
25	M5K43-2730-000	PART	小鋼珠	Steel ball	2	φ4
24	M5K43-2351-000	PART	彈簧	Spring	2	Pitch 0.85
23	M5GST2CE268H300	PART	內管(80mm)	Stanchion	1	067156
22	M5GST2CA268H400	PART	內管(80mm)	Stanchion	1	067156
21	M5GSPB-5006-2	PART	緩衝墊	Top-Out Bumper	1	φ24x10.5X6L
20	M5GFRU14-0100	PART	FIRST 有軸外管	RAXXON Casting	1	P130 φ32
19	M5GCRD-EBZA2000	PART	P125壓縮筒	Crown	1	P125.28.6
18	M5GBH9ACF-U	PART	上襯套	Bush-u	2	
17	M5GBH9ACF-D	PART	下襯套	Bush-d	2	
16	M5GBH8CCC1	ASSEMBLY	VOGUE油封	oil seal	2	TBD
15	M5GAE8TN38	PART	鎖死調整螺	OCR KNOBS	1	073060
14	M5GAE9DA183	PART	氣筒蓋	Air Cap	1	TBD
13	M5GAE9CS27-1	PART	OCR鎖死調整螺墊片	shim	1	073059-01
12	M5GAE9AZ034	PART	回彈調整螺	Rebound knob	1	
11	M5GAC9-1004	PART	螺絲六角螺絲	HEX Bolts	1	M3X0.5X10L
10	M5GAC8-0731	PART	鎖式固定夾	Wire Clip	1	For M3x0.5
9	M5GAC8-001	PART	下座墊片		1	040968
8	M5GAC6002	PART	螺絲六角螺絲(NYSEAL)	bolt(NYSEAL)	1	M3X0.8X15L
7	M5FKD-2723-000	PART	煞車軸	pivot	2	M10X1.25
6	H5GDPEAK20B-1	ASSEMBLY	鎖死螺絲	Lockout Assembly	1	
5	H5GDPBAD265-3	ASSEMBLY	FIRST 24 活塞桿組	Hydraulic Damping	1	
4	H5GDPBAD24-1	ASSEMBLY	活塞組	PISTON	1	
3	H5GAEBMA250-1	ASSEMBLY	氣筒組	Fixed Guide	1	
2	H5GAEBJA207	ASSEMBLY	壓力膠下座組	Compression Rod Assembly	1	
1	1022A-02515	PART	螺絲螺絲	Bolt	1	M2.5X0.45X15L
NO	PART NO	TYPE	CHINESE NAME	ENGLISH NAME	QTY	NOTE

Bill of material

MATERIAL	ASSEMBLY	Q'TY	1	MODEL	15' FIRST 24 AIR (60)
UNIT	MM	SCALE	0.600	DRAW NO	PGF018FC- rev. 1.1
FASHING	TREAT			NAME	爆炸圖
DESIGN	DRAWING	CHECK	CONFIG	APPE	RST