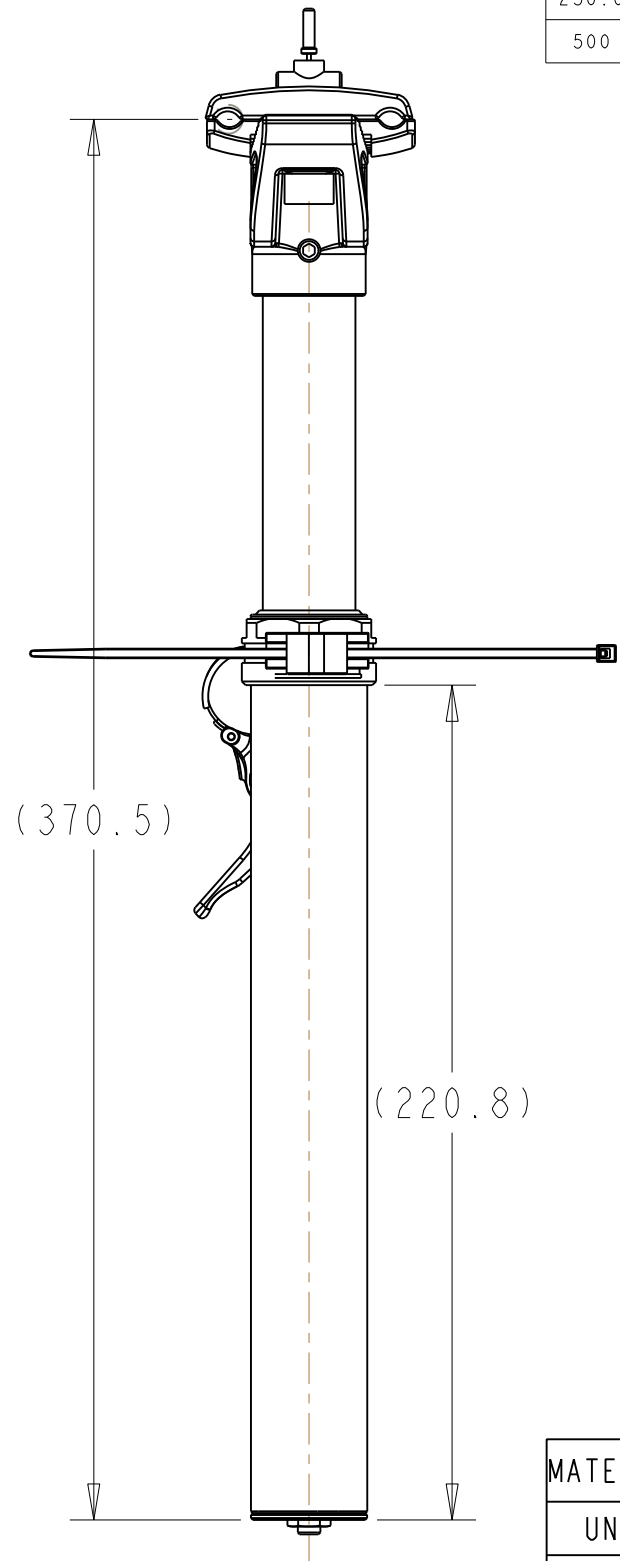
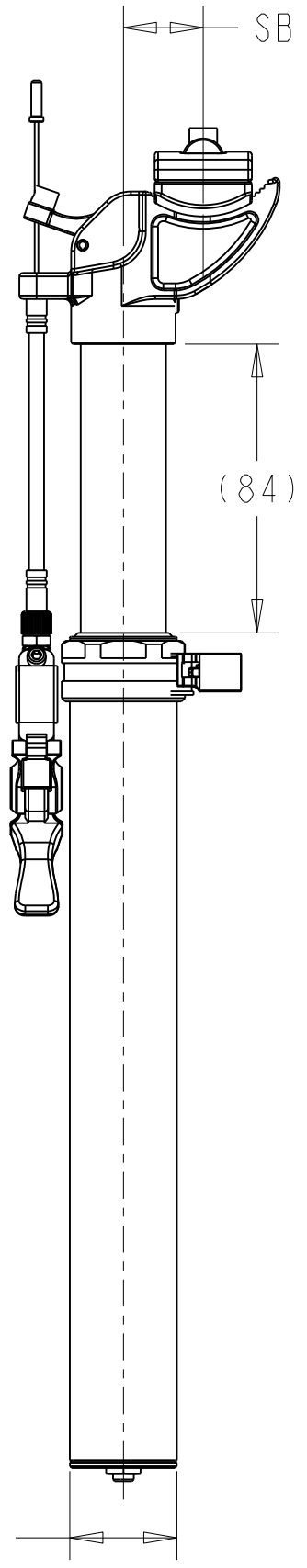


機械加工尺寸一般容許公差					REV.	DATE	DESCRIPTION	CHANGER	CHECK
尺寸	長寬高	尺寸	孔徑	軸徑					
1 <= 10	±0.2	1 <= 10	+0.2 -0	+0 -0.2					
10.001 <= 100	±0.3	10.001 <= 100	+0.3 -0	+0 -0.3					
100.001 <= 250	±0.5	100.001 <= 250	+0.5 -0	+0 -0.5					
250.001 <= 500	±0.8	250.001 <= 500	+1.0 -0	+0 -1.0					
500 <	±1.3	500 <	+1.5 -0	+0 -1.5					



MATERIAL	Assembly		Q'TY		MODEL	15' JOY STICK		
UNIT	MM		SCALE	0.500	DRAW NO	PGF120ZF-	rev.	A
FASHING			TREAT		NAME	座管80MM(外觀圖)		
DESIGN	DRAWING	CHECK	CONFIG	APPE	RST			