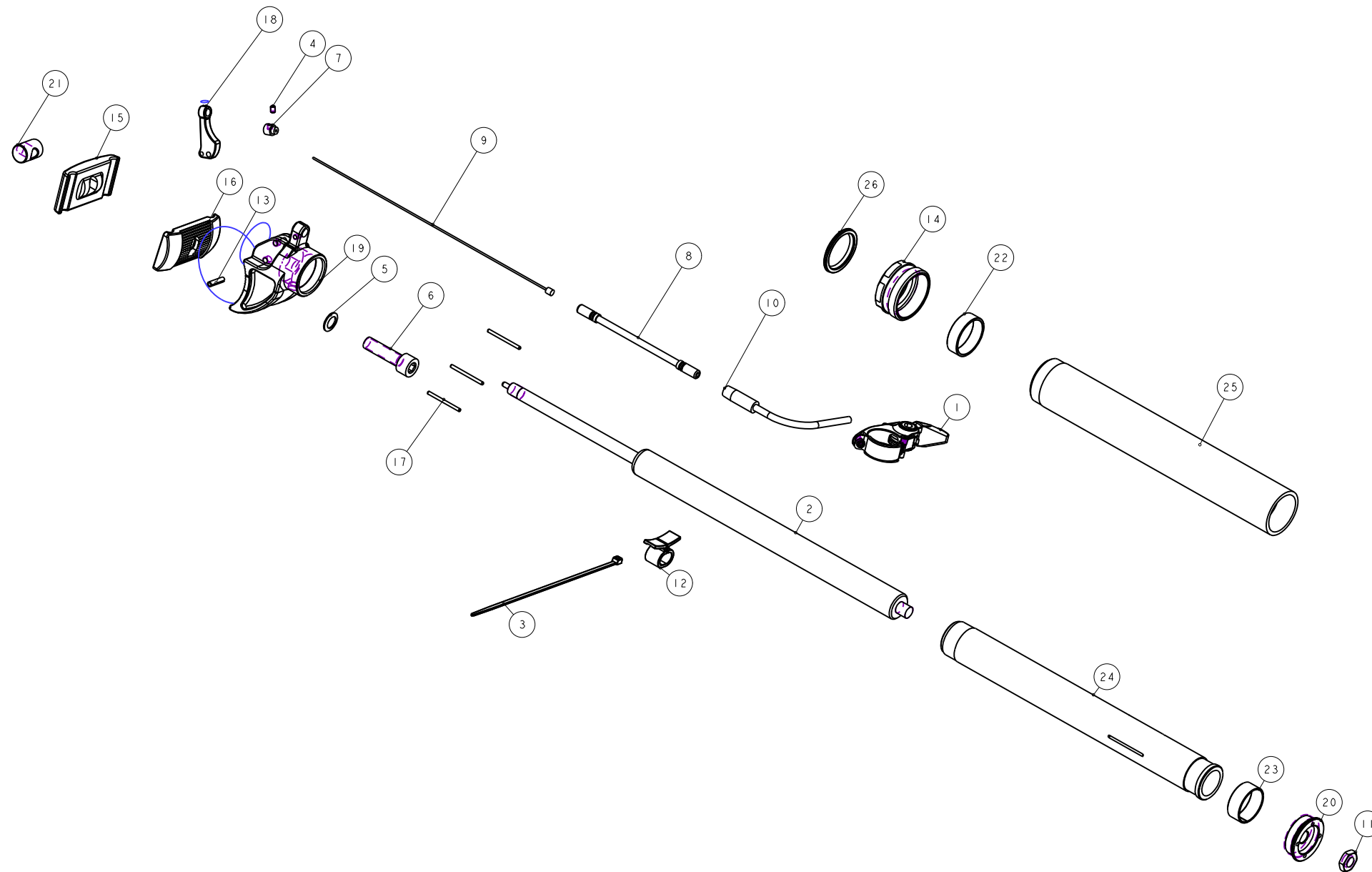


機械加工尺寸一般容許公差					REV.	DATE	DESCRIPTION	CHANGER	CHECK
尺寸	長度	尺寸	孔徑	軸徑					
1 <= 10	±0.2	1 <= 10	+0.2 -0.2	+0 -0					
10.001 <= 100	±0.3	10.001 <= 100	+0.3 -0.3	+0 -0					
100.001 <= 250	±0.5	100.001 <= 250	+0.5 -0.5	+0 -0					
250.001 <= 500	±0.8	250.001 <= 500	+1.0 -1.0	+0 -0					
500 <	±1.3	500 <	+1.5 -1.5	+0 -0					



26	M5RAT-5310-200	PART	油封	Packing	I	
25	M5GST2HH316E000	PART	座管外管	Stanchion	I	345L
24	M5GST2BB219E000	PART	內管	Stanchion	I	067156
23	M5GBHC AKF14	PART	襯套		I	
22	M5GBHC AKB030	PART	導正襯套		I	
21	M5GAEF LA012	PART	螺絲固定座		I	
20	M5GAEFDC028	PART	油壓用固定座		I	
19	M5GAEFCA2160-1	PART	鎖附頭		I	
18	M5GAEFBA037	PART	線控拉柄		I	
17	M5GAEC SA056	PART	導正鋼條		3	
16	M5GAECA2165	PART	下蓋		I	
15	M5GAECA2164	PART	上蓋		I	
14	M5GAECA036	PART	油封固定座		I	TBD
13	M5GACF0918	PART	彈簧銷		I	
12	M5GACF0905	PART	鎖線座(塑膠)		I	
11	M5GACF0815-08	PART	M8X1.25螺帽		I	
10	M5GACF0716	PART	導線彎管(附調整螺絲)		I	
9	M5GACF0715	PART	內線		1	2MM 770L *4mm
8	M5GACF0714	PART	外線組		I	
7	M5GACF0703-01	PART	鎖線座		I	
6	M5GACF0618-4	PART	螺絲		I	
5	M5GACF0618-3	PART	鎖緊墊圈		I	
4	M5GACC0930-01	PART	止付螺絲	Grub screw	I	M3X4L
3	M5GACB0712-01	PART	尼龍紮線帶	NYLON CABLE TIE	I	
2	H5GDPFB011	PART	100MM汽油壓棒		I	
1	H5GDPDAR4	ASSEMBLY	RL撥桿組(可鎖式)	ny Remote Lockout	I	
NO	PART NO	TYPE	CHINESE NAME	ENGLISH NAME	QTY	NOTE

Bill of material

MATERIAL	ASSEMBLY	Q'TY	MODEL	爆炸圖		
UNIT	MM	SCALE	0.600	DRAW NO	PGF125ZF	rev. B
FASHING	TREAT			NAME	座管(油壓式)	
DESIGN	DRAWING	CHECK	CONFIG	APPE	RST	