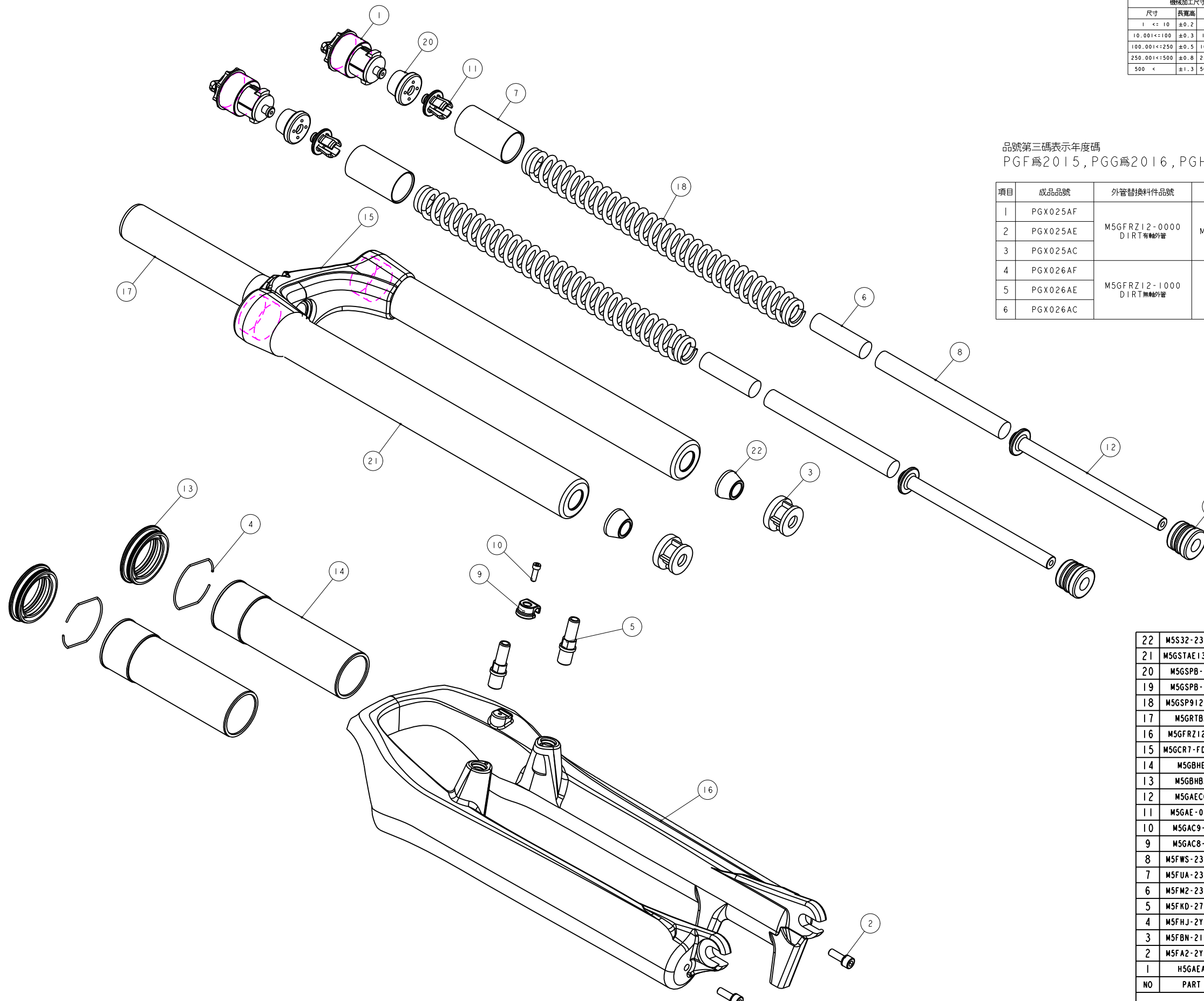


機械加工尺寸一般容許公差					REV.	DATE	DESCRIPTION	CHANGER	CHECK
尺寸	長寬高	尺寸	孔徑	軸徑					
1 <= 10	±0.2	1 <= 10	+0.2 -0	+0.2 -0.2					
10.001 <= 100	±0.3	10.001 <= 100	+0.3 -0	+0.3 -0.3					
100.001 <= 250	±0.5	100.001 <= 250	+0.5 -0	+0.5 -0.5					
250.001 <= 500	±0.8	250.001 <= 500	+1.0 -0	+1.0 -1.0					
500 <	±1.3	500 <	+1.5 -0	+1.5 -1.3					

品號第三碼表示年度碼
PGF為2015, PGG為2016, PGH為2017, 以此類推

項目	成品品號	外管替換料件品號	煞車軸	優力膠下座替換料件品號	規格說明
1	PGX025AF	M5GFRZ12-0000 DIRT有軸外管	M5FKD-2723-000	M5GAECC140	有軸·行程100mm·總高480mm
2	PGX025AE			M5GAECC120	有軸·行程80mm·總高460mm
3	PGX025AC			M5GAECC100	有軸·行程60mm·總高440mm
4	PGX026AF	M5GFRZ12-1000 DIRT無軸外管	不使用	M5GAECC140	無軸·行程100mm·總高480mm
5	PGX026AE			M5GAECC120	無軸·行程80mm·總高460mm
6	PGX026AC			M5GAECC100	無軸·行程60mm·總高440mm



22	M5S32-2310-000	PART	緩衝墊	Top-Out Bumper	2	φ21.5X11.5
21	M5GSTAE1315A100	PART	內管	Stanchion	2	φ32x315L-CP#8
20	M5GSPB-415-8	PART	緩衝墊	Top-Out Bumper	2	15L
19	M5GSPB-401-5	PART	緩衝墊	Top-Out Bumper	2	φ24X20LX50#
18	M5GSP91260-065	PART	彈簧	Spring	2	
17	M5GRTBA260	ASSEMBLY	轉向管	Steerer	1	
16	M5GFRZ12-0000	PART	外管(DIRT)		1	TBD
15	M5GCR7-FDGA2000	PART	130鍛造頭管座	Crown	1	P130
14	M5GBHEEB1	PART	長塑膠襯套		2	120
13	M5GBHBAEC1	ASSEMBLY	油封	OIL SEAL	2	TBD
12	M5GAECC140	PART	優力膠下座	Compression Rod	2	140L
11	M5GAE-OPB020	PART	彈簧上座	Spring Guide	2	
10	M5GAC9-1004	PART	圓頭內六角螺柱	HEX Bolts	1	M3X0.5X10L
9	M5GAC8-0731	PART	鎖式固定夾	Wire Clip	1	For M3x0.5
8	M5FWS-2311-000	PART	定距橡皮	top out spring bumper	2	φ13.8X120L
7	M5FUA-2310-000	PART	彈簧護套	Spring Sheath	2	NBR
6	M5FM2-2311-000	PART	定距橡皮	top out spring bumper	2	φ13.8X48L
5	M5FKD-2723-000	PART	煞車軸	pivot	2	M10X1.25
4	M5FHJ-2Y70-300	PART	C型扣環	CTW	2	TBD
3	M5FBN-2162-000	PART	外管座	Bottom-out spacer	2	φ25X14.8L
2	M5FA2-2Y12-100	PART	圓頭內六角螺柱	HEX Bolts	2	M5x0.8x15L
1	M5GAEAB29	ASSEMBLY	調整座組 M29	Adjuster Assembly	2	M29X1.0
NO	PART NO	TYPE	CHINESE NAME	ENGLISH NAME	QTY	NOTE

Bill of material

MATERIAL	ASSEMBLY	QTY	1	MODEL	DIRT T (100/80/60)	
UNIT	MM	SCALE	0.700	DRAW NO	PGX025AF	rev. 1.0
FASHING		TREAT		NAME	爆炸圖	
DESIGN	DRAWING	CHECK	CONFIG	APPE	RST	